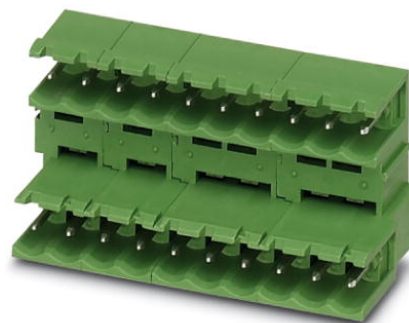


MDSTB 2,5/ 5-G

Order No.: 1837133

The figure shows a 10-position version of the product

<http://eshop.phoenixcontact.de/phoenix/treeViewClick.do?UID=1837133>Header, Nominal current: 10 A, Nom. voltage: 250 V, Pitch: 5 mm,
Number of positions: 5, Color: green, Assembly: Soldering

Commercial data

EAN	4017918183349
Pack	50 pcs.
Customs tariff	85366990
Weight/Piece	0.00812 KG
Catalog page information	Page 258 (CC-2009)

Product notes

WEEE/RoHS-compliant since:
01/01/2003

<http://www.download.phoenixcontact.com>
Please note that the data given here has been taken from the online catalog. For comprehensive information and data, please refer to the user documentation. The General Terms and Conditions of Use apply to Internet downloads.

Technical data

Dimensions / positions

Pitch	5 mm
Dimension a	20 mm
Number of positions	5
Pin dimensions	1 x 1 mm
Hole diameter	1.4 mm

Technical data

Insulating material group	I
Rated surge voltage (III/3)	4 kV
Rated surge voltage (III/2)	4 kV
Rated surge voltage (II/2)	4 kV
Rated voltage (III/2)	320 V
Rated voltage (II/2)	630 V
Connection in acc. with standard	EN-VDE
Nominal current I _N	10 A
Nominal voltage U _N	250 V
Maximum load current	10 A
Insulating material	PBT
Inflammability class acc. to UL 94	V0

Accessories

Item	Designation	Description
Assembly		
1806588	MDSTB 2,5-AS	Ejectors, for assembly on each side of the header
1786679	MDSTB-SE	Side element, for lateral sealing of MSTB headers, 2.54 mm thick, color: green
1755477	MSTB-BL	Keying cap, for forming sections, plugs onto header pin, green insulating material

General

1736771	MDSTB 2,5/ 2-GFL-5,08	Header, Nominal current: 10 A, Nom. voltage: 250 V, Pitch: 5.08 mm, Number of positions: 2, Color: green, Assembly: Soldering
1736768	MDSTB 2,5/ 2-GFR-5,08	Header, Nominal current: 10 A, Nom. voltage: 250 V, Pitch: 5.08 mm, Number of positions: 2, Color: green, Assembly: Soldering

Marking

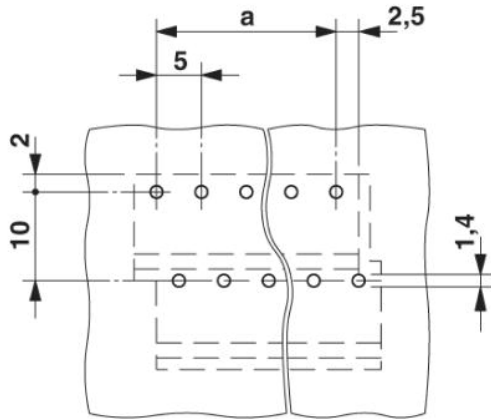
0804183	SK 5/3,8:FORTL.ZAHLEN	Marker card, printed horizontally, self-adhesive, 12 identical decades marked 1-10, 11-20 etc. up to 91-(99)100, sufficient for 120 terminal blocks
---------	-----------------------	---

Plug/Adapter

1734401	CR-MSTB	Coding section, inserted into the recess in the header or the inverted plug, red insulating material
---------	---------	--

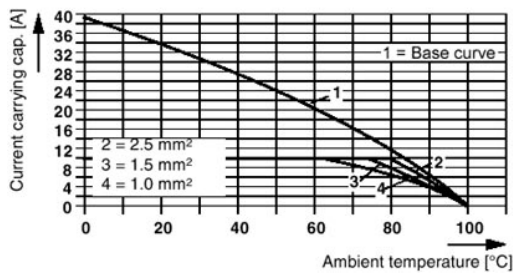
Drawings

Drilling diagram

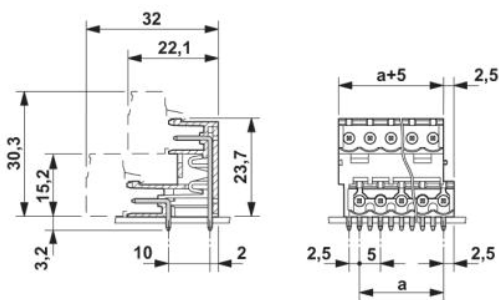


Diagram

Plug: MSTB 2,5/5-ST(F)-(-5,08)
 Header: MDSTB 2,5/5-G(F)-(-5,08)



Dimensioned drawing



Address

PHOENIX CONTACT GmbH & Co. KG
Flachsmarktstr. 8
32825 Blomberg, Germany
Phone +49 5235 3 00
Fax +49 5235 3 41200
<http://www.phoenixcontact.com>



© 2009 Phoenix Contact
Technical modifications reserved;