

# Digital display - FA MCR-DS-I-I-OLP - 2908781

Please be informed that the data shown in this PDF Document is generated from our Online Catalog. Please find the complete data in the user's documentation. Our General Terms of Use for Downloads are valid (<http://phoenixcontact.com/download>)

Output loop-powered process indicator with HART communication for installation in the control cabinet



## Key Commercial Data

|                                      |               |
|--------------------------------------|---------------|
| Packing unit                         | 1 pc          |
| GTIN                                 |               |
| GTIN                                 | 4055626357089 |
| Weight per Piece (excluding packing) | 335.000 g     |
| Custom tariff number                 | 90328900      |
| Country of origin                    | Germany       |

## Technical data

### Dimensions

|        |         |
|--------|---------|
| Width  | 96 mm   |
| Height | 48 mm   |
| Depth  | 41.5 mm |

### Ambient conditions

|   |                            |
|---|----------------------------|
| Ambient temperature (operation)         | -40 °C ... 60 °C           |
| Ambient temperature (storage/transport) | -40 °C ... 85 °C           |
| Maximum altitude                        | < 5000 m (Above sea level) |
| Degree of protection                    | IP65 (Front)               |
|   | IP20 (On the rear)         |

### Input data

|                          |                         |
|--------------------------|-------------------------|
| Description of the input | Current measuring input |
| Current input signal     | 4 mA ... 20 mA          |
| Max. input current       | 200 mA                  |
| Description of the input | HART                    |

# Digital display - FA MCR-DS-I-I-OLP - 2908781

## Technical data

### Input data

|                      |                       |
|----------------------|-----------------------|
| Current input signal | up to 4x HART signals |
|----------------------|-----------------------|

### Output data

|                       |                |
|-----------------------|----------------|
| Output name           | Current output |
| Current output signal | 4 mA ... 20 mA |

### Power supply

|                      |  |
|----------------------|--|
| Supply voltage range | loop-powered, no external supply necessary |
|----------------------|--|

### Connection data

|                                  |  |
|----------------------------------|--|
| Connection method                | Pluggable spring-cage terminal blocks        |
| Stripping length                 | 9 mm   |
| Conductor cross section solid    | 0.14 mm <sup>2</sup> ... 1.5 mm <sup>2</sup> |
| Conductor cross section flexible | 0.14 mm <sup>2</sup> ... 1.5 mm <sup>2</sup> |
| Conductor cross section AWG      | 26 ... 16                                    |

### General

|                                 |   |
|---------------------------------|---|
| Maximum transmission error      | 0.1 % (of final value)  |
| Maximum temperature coefficient | < 0.02 %/K  |
| Noise emission                  | IEC 61326, class B  |
| Color                           | light grey RAL 7035   |
| Housing material                | Aluminum / polycarbonate  |
| Mounting position               | Max. viewing angle range +/- 45° from the centre line of the display in every direction |
| Conformance                     | CE-compliant  |
| UL, USA/Canada                  | UL 61010 Listed   |
| Certificate of classification   | DNV GL TAA000013C   |

### Standards and Regulations

|                    |   |
|--------------------|---|
| Noise emission     | IEC 61326, class B  |
| Conformance        | CE-compliant  |
| UL, USA/Canada     | UL 61010 Listed   |
| DNV GL-Temperature | B   |
| DNV GL-Humidity    | B   |
| DNV GL-Vibration   | A   |
| DNV GL-EMC         | B   |
| DNV GL-Enclosure   | Required protection according to the Rules shall be provided upon installation on board |

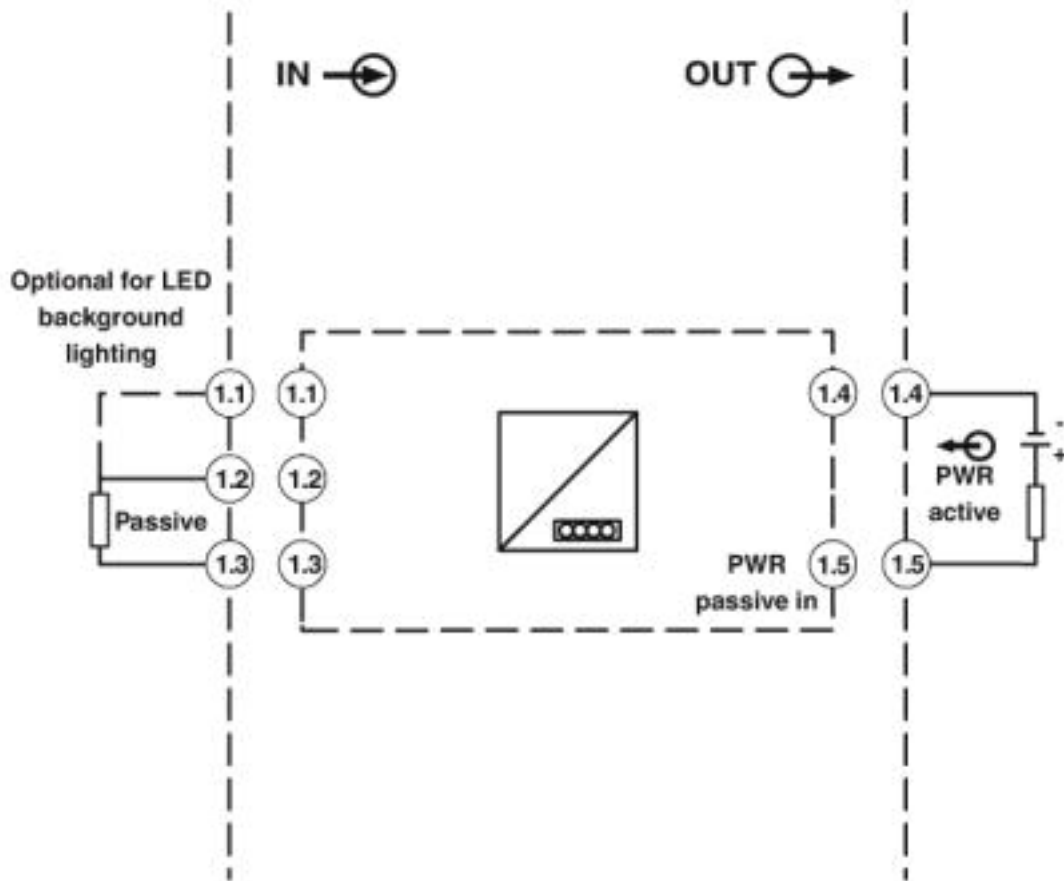
### Environmental Product Compliance

|            |   |
|------------|---|
| China RoHS | Environmentally Friendly Use Period = 50  |
|            | For details about hazardous substances go to tab "Downloads", Category "Manufacturer's declaration" |

## Drawings

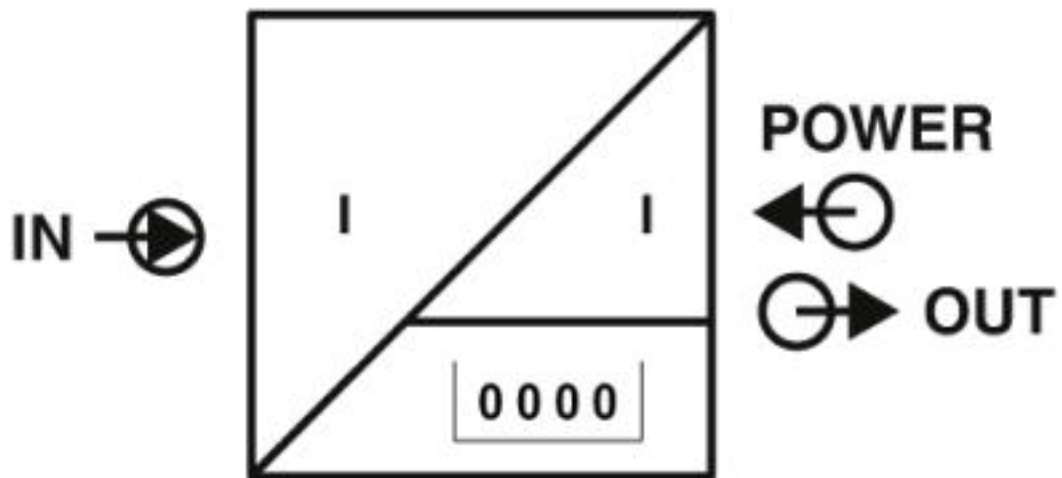
# Digital display - FA MCR-DS-I-I-OLP - 2908781

Block diagram



Block diagram FA MCR-DS-I-I-OLP

Pictogram



# Digital display - FA MCR-DS-I-I-OLP - 2908781

## Classifications

### eCl@ss

|            |          |
|------------|----------|
| eCl@ss 4.0 | 27210300 |
| eCl@ss 4.1 | 27210300 |
| eCl@ss 5.0 | 27210300 |
| eCl@ss 5.1 | 27210300 |
| eCl@ss 6.0 | 27210300 |
| eCl@ss 7.0 | 27210301 |
| eCl@ss 8.0 | 27210301 |
| eCl@ss 9.0 | 27210301 |

### ETIM

|          |          |
|----------|----------|
| ETIM 2.0 | EC001426 |
| ETIM 3.0 | EC001426 |
| ETIM 4.0 | EC001426 |
| ETIM 5.0 | EC001426 |
| ETIM 6.0 | EC001426 |
| ETIM 7.0 | EC001426 |

## Approvals

### Approvals


#### Approvals

UL Listed / cUL Listed / UL Listed / cUL Listed / EAC

#### Ex Approvals

### Approval details

|           |   |   |               |
|-----------|---|---|---------------|
| UL Listed |  | <a href="http://database.ul.com/cgi-bin/XYV/template/LISEXT/1FRAME/index.htm">http://database.ul.com/cgi-bin/XYV/template/LISEXT/1FRAME/index.htm</a> | FILE E 330267 |
|-----------|---|---|---------------|

|            |   |   |               |
|------------|---|---|---------------|
| cUL Listed |  | <a href="http://database.ul.com/cgi-bin/XYV/template/LISEXT/1FRAME/index.htm">http://database.ul.com/cgi-bin/XYV/template/LISEXT/1FRAME/index.htm</a> | FILE E 330267 |
|------------|---|---|---------------|

|           |   |   |               |
|-----------|---|---|---------------|
| UL Listed |  | <a href="http://database.ul.com/cgi-bin/XYV/template/LISEXT/1FRAME/index.htm">http://database.ul.com/cgi-bin/XYV/template/LISEXT/1FRAME/index.htm</a> | FILE E 330267 |
|-----------|---|---|---------------|

# Digital display - FA MCR-DS-I-I-OLP - 2908781

## Approvals

|            |  |   |               |
|------------|--|---|---------------|
| cUL Listed |  | <a href="http://database.ul.com/cgi-bin/XYV/template/LISEXT/1FRAME/index.htm">http://database.ul.com/cgi-bin/XYV/template/LISEXT/1FRAME/index.htm</a> | FILE E 330267 |
|------------|--|---|---------------|

|     |  |                      |
|-----|--|----------------------|
| EAC |  | RU*DE.*08.B.01522/19 |
|-----|--|----------------------|

## Accessories

### Accessories

#### Assembly adapter

DIN rail mounting frame - FA MCR-D-RM - 1032996



The DIN rail mounting frame can be used to mount a display on a DIN rail, e.g., in the control cabinet. The DIN rail mounting frame can be used with the following digital displays: FA MCR-(EX)-DS-I-I-OLP, FA MCR-(EX)-D-TUI-UI-2REL-UP

---

#### Terminal resistor

Resistor - FA MCR-FDS-R250 - 2908802



HART® communication resistor, 250 #, in combination with digital display 2908781 FA MCR-DS-I-I-OLP, 2908782 FA MCR-FDS-I-I-OLP, 2908800 FA MCR-EX-DS-I-I-OLP or 2908801 FA MCR-EX-FDS-I-I-OLP