

Base module - VIP/S/D25M/BASE 1-8/L/C/EX - 2906595

Please be informed that the data shown in this PDF Document is generated from our Online Catalog. Please find the complete data in the user's documentation. Our General Terms of Use for Downloads are valid (<http://phoenixcontact.com/download>)



VIP base module with input/output accessories (IOA) provide universal channel configuration. This module with the D-SUB 25 connector is pin compatible to the Foxboro I/A series DCS.

Your advantages

- Integrated carrier for IOA insertion and retention
- Screw-clamp field connections
- Power bus terminals with redundancy
- Each channel has four connections (A, B, C, D) and multiple shield options
- Channels for marking accessories
- Integrated DIN rail ground foot
- Rugged metal DIN rail foot for ease of installation or removal from the rail



Key Commercial Data

Packing unit	1 pc
GTIN	
GTIN	4055626184609
Weight per Piece (excluding packing)	396.400 g
Custom tariff number	85366990
Country of origin	United States
Note	Made to Order (non-returnable)

Technical data

Dimensions

Width	123.1 mm
Height	102.7 mm
Depth	72.2 mm

Ambient conditions

Ambient temperature (operation)	-40 °C ... 75 °C
---------------------------------	------------------

Base module - VIP/S/D25M/BASE 1-8/L/C/EX - 2906595

Technical data

Ambient conditions

Ambient temperature (storage/transport)	-40 °C ... 75 °C
Permissible humidity (operation)	0 % ... 95 % (non-condensing)
Degree of protection	IP20

General

Max. operating voltage U_{max}	30 V DC (field terminals)
Max. operating voltage	30 V DC (field terminals)
	230 V AC (field terminals)
	30 V DC (A and B terminals)
	30 V DC (D-SUB 25 connector)
Max. perm. current (per branch)	3 A (field signal)
	1 A (control contacts)
Max. permissible current	4 A (A and B terminals)
Max. permissible total current	15 A (per module)
Status display	No
Mounting position	As desired on 35 mm DIN rail in acc. with EN 60715

Safety data

Input voltage U_i	30 V (per channel)
Input current I_i	1 A (per channel)
Inductance L_i	0 mH
Capacitance C_i	0 μ F
ATEX	Sira 17ATEX4367X Ex II 3G Ex nA IIC T4 Gc; Ex II (3)G [Ex ic Gc] IIC; Ex II (3)D [Ex ic Dc] IIIC Ex II 3(3)G Ex nA [ic] IIC T4 Gc; Ex II (3)D [Ex ic Dc] IIIC Sira 18ATEX2007X Ex II 3(1)G Ex nA [ia Ga] IIC T4 Gc; Ex II (1)G [Ex ia Ga] IIC Ex II 3G (1)D Ex nA [ia IIIC Da] IIC T4 Gc; Ex II (1)D [Ex ia DA] IIIC
IECEX	IECEX SIR 17.0086X Ex nA IIC T4 Gc; Ex nA [ic] IIC T4 Gc; [Ex ic Gc] IIC; [Ex ic Dc] IIIC Ex nA [ia Ga] IIC T4 Gc; Ex nA [ic IIIC Dc] IIC T4 Gc; Ex nA [ia IIIC Da] IIC T4 Gc; [Ex ia Ga] IIC; [Ex ia Da] IIIC
FM approval	Nonincendive: Class I, Div. 2, Groups A, B, C, D T4 Connection to Class I, II, III, Div. 2, Groups A, B, C, D, E, F, G Class I, Zone 2, (A)Ex nA IIC T4 Gc Class I, Zone 2 with connection to Class I, Zone 2, (A)Ex nA [ic] IIC T4 Gc Class I, Zone 2 with connection to Class I, Zone 0, (A)Ex nA [ia Ga] IIC T4 Gc Class I, Zone 2 with connection to Zone 22, (A)Ex nA [ic IIIC Dc] IIC T4 Gc Class I, Zone 2 with connection to Zone 20, (A)Ex nA [ia IIIC Da] IIC T4 Gc
UL, USA/Canada	Class I, Div. 2, Groups A, B, C, D T4 Class I, Zone 2, IIC T4
CSA, USA/Canada	Nonincendive: Class I, Div. 2, Groups ABCD T4 Connection to Class I, II, III, Div. 2, Groups ABCDEFG Class I, Zone 2, (A)Ex nA IIC T4 Gc, Class I, Zone 2

Base module - VIP/S/D25M/BASE 1-8/L/C/EX - 2906595

Technical data

Safety data

	Class I, Zone 2 with connection to Class I, Zone 2, (A)Ex nA [ic] IIC T4 Gc Class I, Zone 2 with connection to Class I, Zone 0, (A)Ex nA [ia Ga] IIC T4 Gc Class I, Zone 2 with connection to Zone 22, (A)Ex nA [ic IIIC Dc] IIC T4 Gc Class I, Zone 2 with connection to Zone 20, (A)Ex nA [ia IIIC Dc] IIC T4 Gc
Safety-related maximum voltage U_m	253 V AC/DC (A and B terminals and D-SUB 25)

Connection data

Connection name	Field level
Connection in acc. with standard	IEC / EN
Connection method	Screw connection
Stripping length	8 mm
Screw thread	M3
Conductor cross section solid	0.2 mm ² ... 4 mm ²
Conductor cross section flexible	0.2 mm ² ... 2.5 mm ²
Conductor cross section AWG	24 ... 12
Torque	0.5 Nm ... 0.6 Nm

Connection data 2

Connection name	Controller level
Connection method	D-SUB 25
Number of connections	1
Number of positions	25
Torque	0.3 Nm ... 0.34 Nm

Supported controller

Controller	universal
------------	-----------

Standards and Regulations

Standards/regulations	IEC 60664
	DIN EN 50178
Pollution degree	2
Overvoltage category	II
Conformance	ANSI/ISA 60079-0; 60079-11; 60079-15
	ANSI/IEC 60529
	FM 3600; 3611; 3810
ATEX	Sira 17ATEX4367X Ex II 3G Ex nA IIC T4 Gc; Ex II (3)G [Ex ic Gc] IIC; Ex II (3)D [Ex ic Dc] IIIC Sira 18ATEX2007X Ex II 3(1)G Ex nA [ia Ga] IIC T4 Gc; Ex II (1)G [Ex ia Ga] IIC Ex II 3G (1)D Ex nA [ia IIIC Da] IIC T4 Gc; Ex II (1)D [Ex ia DA] IIIC
IECEX	IECEX SIR 17.0086X Ex nA IIC T4 Gc; Ex nA [ic] IIC T4 Gc; [Ex ic Gc] IIC; [Ex ic Dc] IIIC

Base module - VIP/S/D25M/BASE 1-8/L/C/EX - 2906595

Technical data

Standards and Regulations

	Ex nA [ia Ga] IIC T4 Gc; Ex nA [ic IIIC Dc] IIC T4 Gc; Ex nA [ia IIIC Da] IIC T4 Gc; [Ex ia Ga] IIC; [Ex ia Da] IIIC
UL, USA/Canada	Class I, Div. 2, Groups A, B, C, D T4 Class I, Zone 2, IIC T4
CSA, USA/Canada	Nonincendive: Class I, Div. 2, Groups ABCD T4 Connection to Class I, II, III, Div. 2, Groups ABCDEFG Class I, Zone 2, (A)Ex nA IIC T4 Gc, Class I, Zone 2 Class I, Zone 2 with connection to Class I, Zone 2, (A)Ex nA [ic] IIC T4 Gc Class I, Zone 2 with connection to Class I, Zone 0, (A)Ex nA [ia Ga] IIC T4 Gc Class I, Zone 2 with connection to Zone 22, (A)Ex nA [ic IIIC Dc] IIC T4 Gc Class I, Zone 2 with connection to Zone 20, (A)Ex nA [ia IIIC Dc] IIC T4 Gc

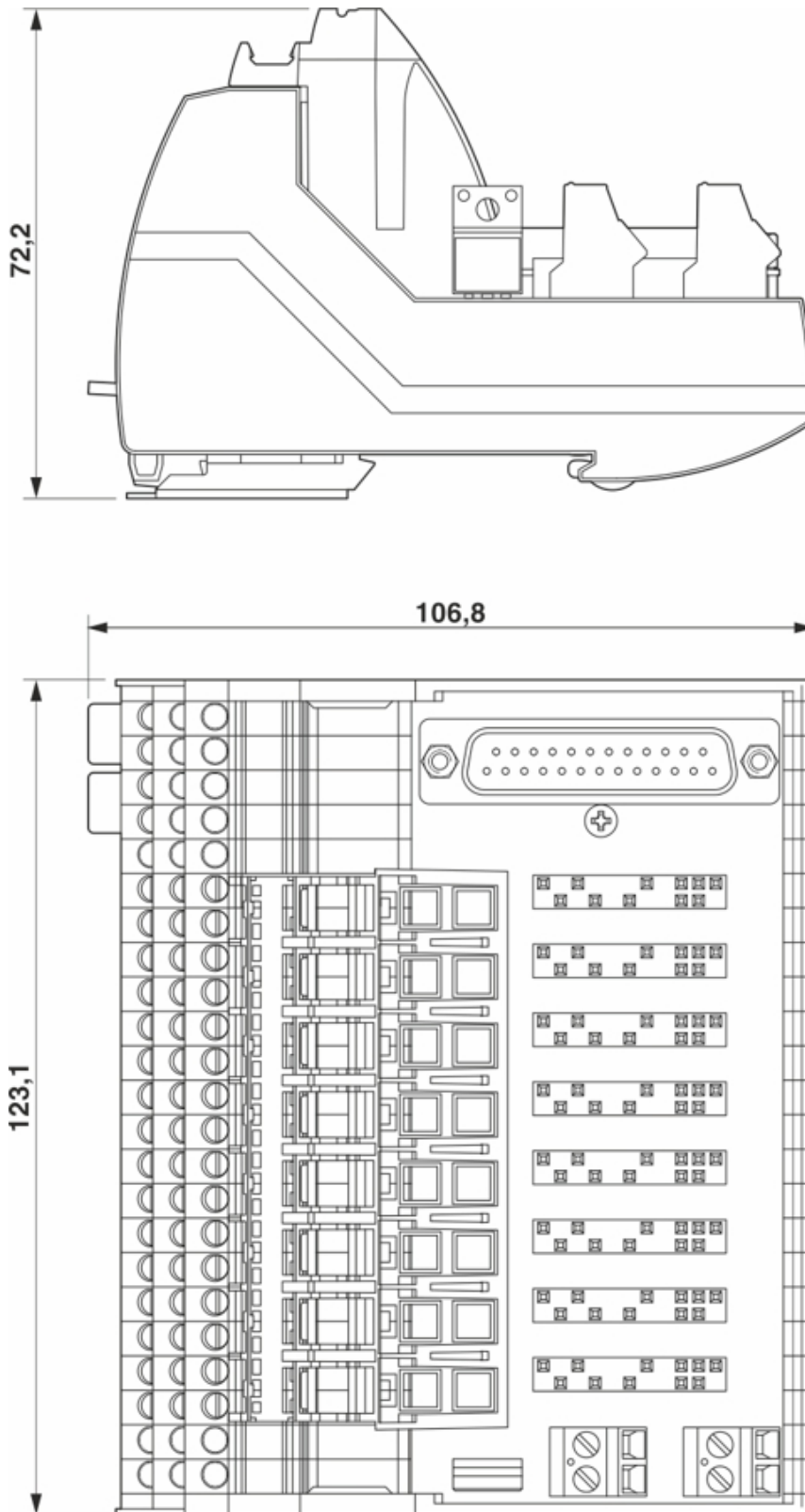
Environmental Product Compliance

REACH SVHC	Lead 7439-92-1
China RoHS	Environmentally Friendly Use Period = 50
	For details about hazardous substances go to tab "Downloads", Category "Manufacturer's declaration"

Drawings

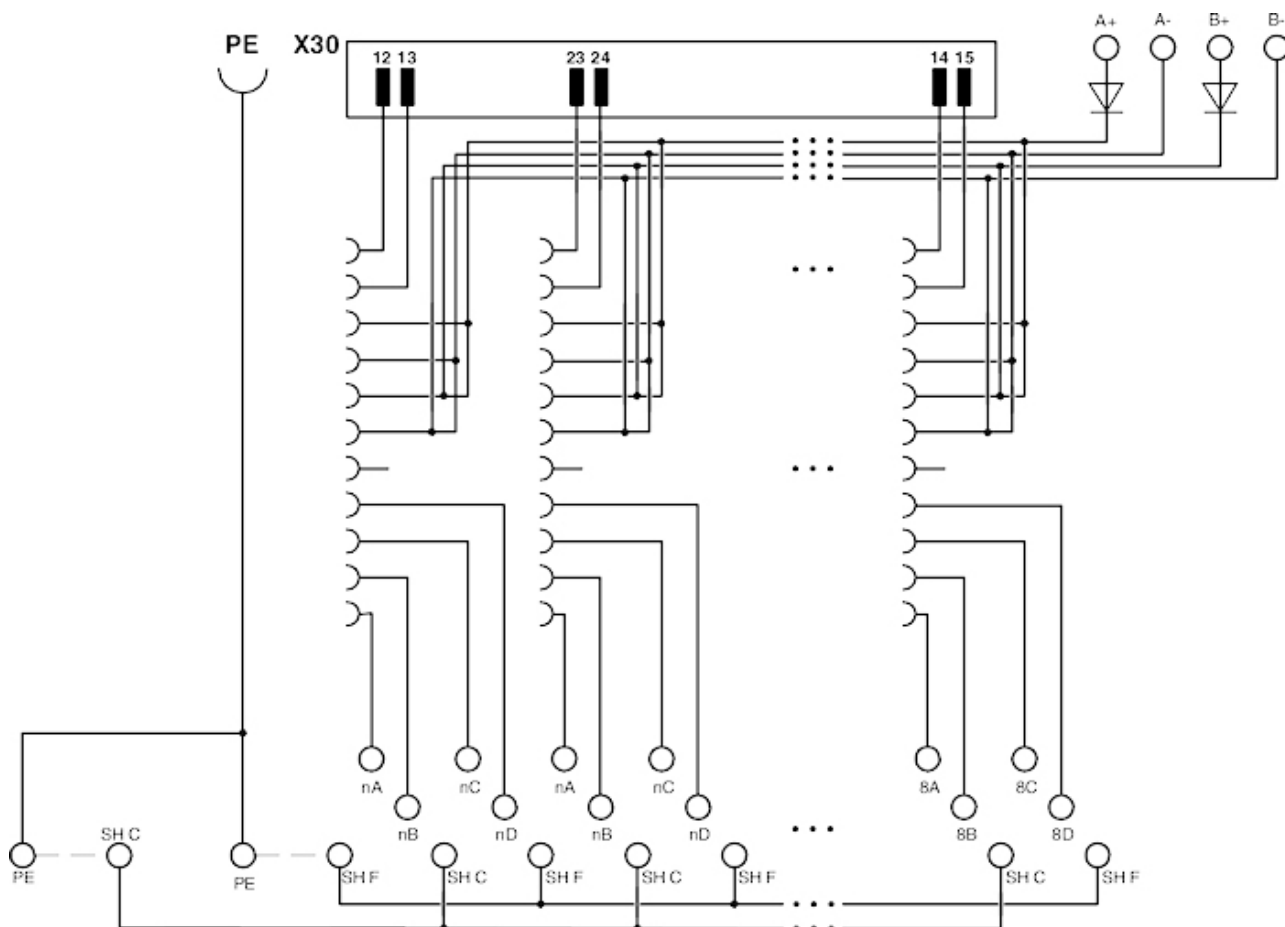
Base module - VIP/S/D25M/BASE 1-8/L/C/EX - 2906595

Dimensional drawing



Base module - VIP/S/D25M/BASE 1-8/L/C/EX - 2906595

Circuit diagram



Classifications

eCl@ss

eCl@ss 4.0	27250313
eCl@ss 4.1	27250313
eCl@ss 5.0	27250313
eCl@ss 5.1	27250313

Base module - VIP/S/D25M/BASE 1-8/L/C/EX - 2906595

Classifications

eCl@ss

eCl@ss 6.0	27242600
eCl@ss 7.0	27141152
eCl@ss 8.0	27141152
eCl@ss 9.0	27141152

ETIM

ETIM 4.0	EC002780
ETIM 5.0	EC002780
ETIM 6.0	EC002780
ETIM 7.0	EC002780

Accessories

Accessories

Marker pen

Marker pen - B-STIFT - 1051993



Marker pen, for manual labeling of unprinted Zack strips, smear-proof and waterproof, line thickness 0.5 mm

Partition plate

Partition plate - VIP/S/BASE 3L DIVIDER - 2907715

Safety divider provides physical separation between field terminals and power bus terminals on VIP base module



Partition plate - VIP/U/RAIL 3L DIVIDER - 2908555

Divider provides physical separation between field terminals and power bus terminals on VIP base module. This version mounts directly to the DIN rail at the end of the base module when separation between circuits is required.



Terminal marking

Base module - VIP/S/D25M/BASE 1-8/L/C/EX - 2906595

Accessories

Marker for terminal blocks - UC-TM 10 - 0818069



Marker for terminal blocks, Sheet, white, unlabeled, can be labeled with: BLUEMARK ID COLOR, BLUEMARK ID, BLUEMARK CLED, PLOTMARK, CMS-P1-PLOTTER, mounting type: snap into tall marker groove, for terminal block width: 10.2 mm, lettering field size: 9.6 x 10.5 mm, Number of individual labels: 48

Marker for terminal blocks - UC-TM 10 BU - 0818441



Marker for terminal blocks, Sheet, blue, unlabeled, can be labeled with: BLUEMARK ID COLOR, BLUEMARK ID, BLUEMARK CLED, PLOTMARK, CMS-P1-PLOTTER, mounting type: snap into tall marker groove, for terminal block width: 10.2 mm, lettering field size: 9.6 x 10.5 mm, Number of individual labels: 48

Plug - IOA MCR-CJC-PT100 - 1085776



Plug for cold junction compensation for thermocouples, in combination with MACX MCR(-EX)-TC... temperature transducers

Necessary add-on products

Input/output module - IOA FEED-THRU/EX - 2906598



VIP field termination assemblies (FTA) with input/output accessories (IOA) provide universal channel configuration for applications seeking to evolve from a traditional fixed I/O approach. Direct feed through of field signals, 30 V, 1 A maximum.

Input/output module - IOA AI/AO/BFI/DS/0.5A/EX - 2906599



VIP field termination assemblies (FTA) with input/output accessories (IOA) provide universal channel configuration for applications seeking to evolve from a traditional fixed I/O approach. Analog input and output signals, fused with blown fuse indication, disconnect with test points, 500 mA rating.

Base module - VIP/S/D25M/BASE 1-8/L/C/EX - 2906595

Accessories

Input/output module - IOA DI/DO/BFI/DS/1.0A/EX - 2906600



VIP field termination assemblies (FTA) with input/output accessories (IOA) provide universal channel configuration for applications seeking to evolve from a traditional fixed I/O approach. Digital input and output signals, fused with blown fuse indication, disconnect with test points, 30 V, 1 A maximum.

Input/output module - IOA REL 24V DO/BFI/3.0A/EX - 2910153



VIP field termination assemblies (FTA) with input/output accessories (IOA) provide universal channel configuration for applications seeking to evolve from a traditional fixed I/O approach. Digital relay output, fused with blown fuse indication, selectable NO or NC contact, 24 V DC, 3 A rating.

Input/output module - IOA REL 24V DI/BFI/1.0A/EX - 2910155



VIP field termination assemblies (FTA) with input/output accessories (IOA) provide universal channel configuration for applications seeking to evolve from a traditional fixed I/O approach. Digital relay input, fused with blown fuse indication, active circuit indication, 24 V DC.

Input/output module - IOA REL 120V DO/BFI/3.0A/EX - 2910154



VIP field termination assemblies (FTA) with input/output accessories (IOA) provide universal channel configuration for applications seeking to evolve from a traditional fixed I/O approach. Digital relay output, fused with blown fuse indication, selectable NO or NC contact, 120 V AC, 3 A rating.

Input/output module - IOA REL 120V DI/1.0A/EX - 2910157



VIP field termination assemblies (FTA) with input/output accessories (IOA) provide universal channel configuration for applications seeking to evolve from a traditional fixed I/O approach. Digital relay input, fused with blown fuse indication, active circuit indication, 120 V AC.

Base module - VIP/S/D25M/BASE 1-8/L/C/EX - 2906595

Accessories

Input/output module - IOA REL 230V DO/BFI/NO/3.0A/EX - 2910421



VIP field termination assemblies (FTA) with input/output accessories (IOA) provide universal channel configuration for applications seeking to evolve from a traditional fixed I/O approach. Digital relay output, fused, NO contact, 230 V AC, 3 A rating.

Input/output module - IOA REL 230V DO/BFI/NC/3.0A/EX - 2910422



VIP field termination assemblies (FTA) with input/output accessories (IOA) provide universal channel configuration for applications seeking to evolve from a traditional fixed I/O approach. Digital relay output, fused with blown fuse indication, NC contact, 230 V AC, 3 A rating.

Input/output module - IOA REL 230V DI/1.0A/EX - 2910423



VIP field termination assemblies (FTA) with input/output accessories (IOA) provide universal channel configuration for applications seeking to evolve from a traditional fixed I/O approach. Digital relay input, fused with blown fuse indication, active circuit indication, 230 V AC.

Power/input isolating amplifier - IOA RPSS-I-I/HART/EX - 2908452



IOA with three-way repeater power supply with plug-in technology. HART-transparent, input or output signal 0(4)...20 mA. The device can be used in both isolator and repeater power supply operation.
