

## Housing cover - ME-IO 18,8 C 2U 7035 - 2201799

Please be informed that the data shown in this PDF Document is generated from our Online Catalog. Please find the complete data in the user's documentation. Our General Terms of Use for Downloads are valid (<http://phoenixcontact.com/download>)



DIN rail housing, 2U, Housing cover, width: 18.9 mm, height: 21.8 mm, color: light gray (7035)

### Your advantages

- ✔ Item is from the ME-IO product range
- ✔ Tool-free mounting
- ✔ Available in overall widths from 18.8 mm
- ✔ Inflammability class V0 according to UL 94
- ✔ Front push-in connection technology
- ✔ Can be mounted on the DIN rail
- ✔ Optional with bus connector for DIN rail mounting

### Key Commercial Data

Packing unit	10 pc
Minimum order quantity	10 pc
GTIN	
GTIN	4046356911603
Weight per Piece (excluding packing)	3.700 g
Custom tariff number	85389099
Country of origin	Germany

### Technical data

#### Item properties

Brief article description	Housing cover
Type	ME-IO 18,8 C 2U 7035
Order No.	2201799
Housing type	DIN rail housing
Housing series	ME-IO

# Housing cover - ME-IO 18,8 C 2U 7035 - 2201799

## Technical data

### Item properties

Type	2U
Mounting type	Snap in

### Dimensions

Width [ w ]	18.9 mm
Height [ h ]	21.8 mm

### Material data

Color (RAL)	light gray (7035)
Flammability rating according to UL 94	V0
Housing material	Polyamide

### Ambient conditions

Ambient temperature (storage/transport)	-40 °C ... 70 °C
Ambient temperature (assembly)	-5 °C ... 100 °C
Ambient temperature (operation)	-40 °C ... 105 °C (depending on power dissipation)
Relative humidity (storage/transport)	80 %

### PCB data

Mounting position	Vertical (horizontal DIN rail)
-------------------	--------------------------------

### Packaging information

Pieces per package	10
Denomination packing units	Pcs.

### Standards and regulations

Flammability rating according to UL 94	V0
--	----

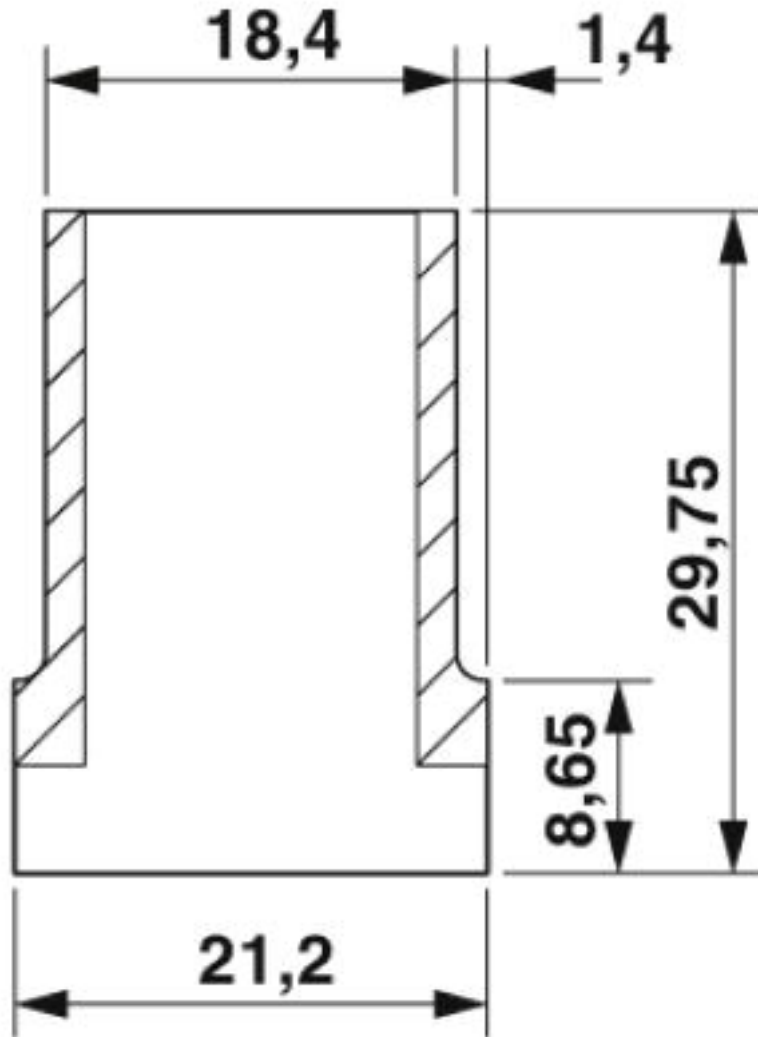
### Environmental Product Compliance

China RoHS	Environmentally friendly use period: unlimited = EFUP-e
	No hazardous substances above threshold values

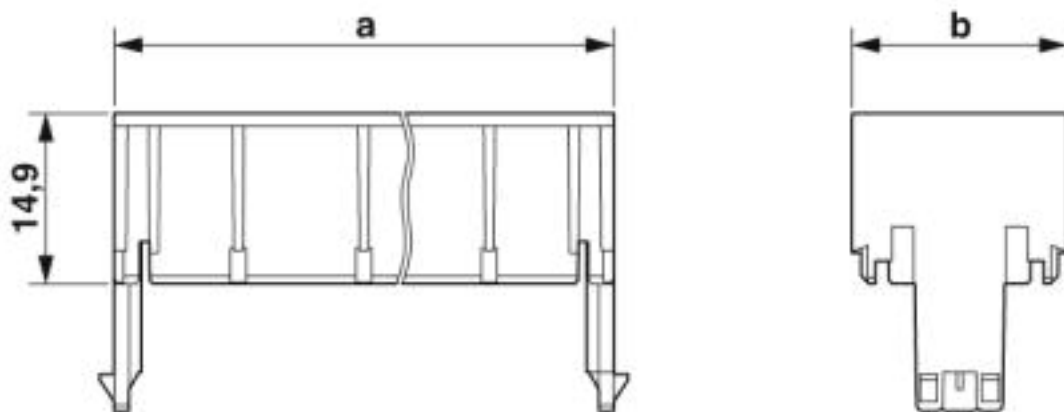
## Drawings

# Housing cover - ME-IO 18,8 C 2U 7035 - 2201799

Dimensional drawing



Dimensional drawing



# Housing cover - ME-IO 18,8 C 2U 7035 - 2201799

## Classifications

### eCl@ss

eCl@ss 5.0	27180500
eCl@ss 5.1	27180500
eCl@ss 6.0	27180800
eCl@ss 7.0	27182702
eCl@ss 8.0	27182702
eCl@ss 9.0	27182702

### ETIM

ETIM 4.0	EC001031
ETIM 5.0	EC001031
ETIM 6.0	EC001031
ETIM 7.0	EC001031

### UNSPSC

UNSPSC 13.2	31261501
UNSPSC 18.0	31261501
UNSPSC 19.0	31261501
UNSPSC 20.0	31261501
UNSPSC 21.0	31261501

## Approvals

### Approvals


Approvals

UL Recognized / EAC

Ex Approvals

### Approval details

UL Recognized		<a href="http://database.ul.com/cgi-bin/XYV/template/LISEXT/1FRAME/index.htm">http://database.ul.com/cgi-bin/XYV/template/LISEXT/1FRAME/index.htm</a>	FILE E 240868
---------------	---	---	---------------

EAC		B.01742
-----	---	---------

## Housing cover - ME-IO 18,8 C 2U 7035 - 2201799

### Accessories

#### Accessories

#### Fiber optic

Fiber optic - HS LC-H-D2/ R4XC2-2,54 - 2202320



Light guides, passive, rigid, can be used for the ME, ME-MAX, ME-IO, ME PLC, and EH housing ranges (housing must be processed)

---

Fiber optic - HS LC-H-D2/ R4XC5-2,54 - 2202321



Light guides, passive, rigid, can be used for the ME, ME-MAX, ME-IO, ME PLC, and EH housing ranges (housing must be processed)

---

Fiber optic - HS LC-H-D2/ R4XC9-2,54 - 2202322



Light guides, passive, rigid, can be used for the ME, ME-MAX, ME-IO, ME PLC, and EH housing ranges (housing must be processed)

---

Fiber optic - HS LC-H-D2/ R4XC10-2,54 - 2202323



Light guides, passive, rigid, can be used for the ME, ME-MAX, ME-IO, ME PLC, and EH housing ranges (housing must be processed)

---