

Multiple relay module - UMK- 8 RM24DC/MKDS - 2972916


Please be informed that the data shown in this PDF Document is generated from our Online Catalog. Please find the complete data in the user's documentation. Our General Terms of Use for Downloads are valid (<http://phoenixcontact.com/download>)



VARIOFACE module, for 8 plug-in miniature relays or miniature optocouplers, with LED, 24 V DC input voltage



Key Commercial Data

Packing unit	1 pc
GTIN	 4 017918 088859
GTIN	4017918088859
Weight per Piece (excluding packing)	206.560 g
Custom tariff number	85364190
Country of origin	Germany

Technical data

Note

Utilization restriction	EMC: class A product, see manufacturer's declaration in the download area
-------------------------	---

Dimensions

Width	135 mm
Height	77 mm
Depth	59 mm

Ambient conditions

Ambient temperature (operation)	-20 °C ... 50 °C
Ambient temperature (storage/transport)	-20 °C ... 70 °C
Degree of protection	IP00

Input data

Nominal input voltage U_N	24 V DC
Input voltage range in reference to U_N	0.8 ... 1.1

Multiple relay module - UMK- 8 RM24DC/MKDS - 2972916

Technical data

Input data

Typical input current at U_N	2 mA (Light indicator)
Type of protection	Free-wheeling diode
Protective circuit/component	Damping diode
Type of protection	Reverse polarity protection
Protective circuit/component	Polarity protection diode
Operating voltage display	Yellow LED
Status display/channel	Yellow LED

Output data

Contact type	1 PDT
Maximum switching voltage	250 V AC/DC
Limiting continuous current	5 A
Maximum inrush current	8 A
Error detection (line break / short-circuit)	no

General

No. of channels	8
Compatible components	Miniature relays or miniature optocouplers
With components	no
Mounting position	any
Color	green

Connection data

Connection name	Input
Connection method	Screw connection
Stripping length	8 mm
Screw thread	M3
Number of connections	1
Number of positions	12
Conductor cross section solid	0.2 mm ² ... 4 mm ²
Conductor cross section flexible	0.2 mm ² ... 2.5 mm ²
Conductor cross section AWG	24 ... 12

Connection data 2

Connection name	Output
Connection method	Screw connection
Stripping length	8 mm
Screw thread	M3
Number of connections	24
Number of positions	3
Conductor cross section solid	0.2 mm ² ... 4 mm ²
Conductor cross section flexible	0.2 mm ² ... 2.5 mm ²
Conductor cross section AWG	24 ... 12

Multiple relay module - UMK- 8 RM24DC/MKDS - 2972916

Technical data

Standards and Regulations

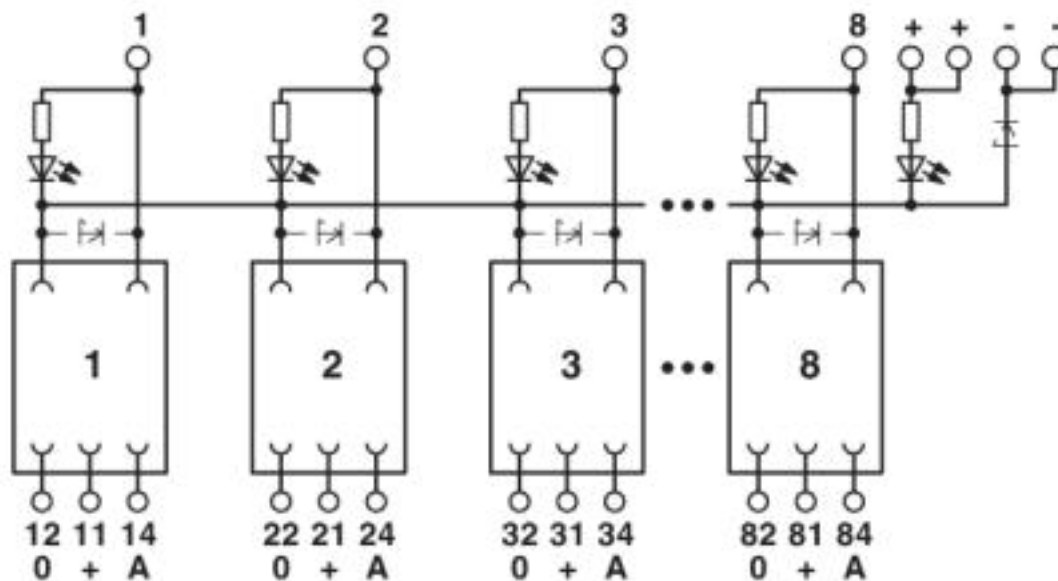
Standards/regulations	DIN EN 50178
	IEC 60664
Rated insulation voltage	260 V AC
Rated surge voltage	4 kV (Basic insulation between output contact current paths)
	6 kV (Safe isolation and reinforced insulation between input circuit and output contact paths)
Pollution degree	2
Overvoltage category	III

Environmental Product Compliance

REACH SVHC	Lead 7439-92-1
China RoHS	Environmentally Friendly Use Period = 50
	For details about hazardous substances go to tab "Downloads", Category "Manufacturer's declaration"

Drawings

Circuit diagram



Classifications

eCl@ss

eCl@ss 4.0	27371100
eCl@ss 4.1	27371100
eCl@ss 5.0	27371600
eCl@ss 5.1	27371000
eCl@ss 6.0	27371600

Multiple relay module - UMK- 8 RM24DC/MKDS - 2972916

Classifications

eCl@ss

eCl@ss 7.0	27371603
eCl@ss 8.0	27371603
eCl@ss 9.0	27371603

ETIM

ETIM 2.0	EC001456
ETIM 3.0	EC001456
ETIM 4.0	EC001456
ETIM 5.0	EC001456
ETIM 6.0	EC001456
ETIM 7.0	EC001456

UNSPSC

UNSPSC 6.01	30211916
UNSPSC 7.0901	39121543
UNSPSC 11	39121543
UNSPSC 12.01	39121543
UNSPSC 13.2	39122326
UNSPSC 18.0	39122335
UNSPSC 19.0	39122335
UNSPSC 20.0	39122335
UNSPSC 21.0	39122335

Approvals

Approvals

Approvals

EAC

Ex Approvals

Approval details

EAC		RU C- DE.A*30.B.01082
-----	--	--------------------------

Accessories

Accessories

Multiple relay module - UMK- 8 RM24DC/MKDS - 2972916

Accessories

Retaining bracket

Retaining bracket - SIM-ERSN-HB-KSR - 2271468



Retainer, for miniature switching relays or miniature optocouplers

Retaining bracket - SIM-ERSN-HB-KSR/MET - 2271497



Retainer, for miniature switching relays or miniature optocouplers

Retaining bracket - SIM-ERSN-HB-MR - 2271471



Retainer, for miniature relay

Retaining bracket - SIM-ERSN-HB-MR/MET - 2271510



Retainer, for miniature relay

Single relay

Single relay - REL-MR- 24DC/21HC - 2961312



Plug-in miniature power relay, with power contact for high continuous currents, 1 PDT, input voltage 24 V DC

Multiple relay module - UMK- 8 RM24DC/MKDS - 2972916

Accessories

Single relay - REL-MR- 24DC/21HC AU - 2961545



Plug-in miniature power relay, with multi-layer gold contact for high continuous currents, 1 PDT, input voltage 24 V DC

Single solid-state relay

Miniature solid-state relay - SIM-EI- 24DC/48DC/100 - 2271073



Input solid-state relay, with protective circuit in input and output circuits, input: 24 V DC, output: 8 - 48 V DC/100 mA

Miniature solid-state relay - SIM-EI- 24DC/TTL/100 - 2271154



Input solid-state relay, with protective circuit in input and output circuits, input: 24 V DC, output: TTL logic level, max. 100 mA

Miniature solid-state relay - SIM-EI-OV- 24DC/ 24DC/3 - 2300096



Power solid-state relay, with protective circuit in input and output circuits, 24 V DC. DC voltage output of 3 A, max.
