

PSR-SPP- 24UC/URM/5X1/2X2

Item cannot be ordered online at present.

Order No.: 2963970


The figure shows a version with a screw connection



<http://catalog.phoenixcontact.net/phoenix/treeViewClick.do?UID=2963970>

Universal safety relay with positively driven contacts, 5 N/O contacts, 2 N/C contacts, single-channel, plug-in terminal blocks with spring-cage connection, width: 22.5 mm



Commercial data	
EAN	 4 017918 904791
Note	Made-to-order
sales group	G542
Pack	1 Pcs.
Customs tariff	85371099
Gross weight in pieces	0.2045 KG
Net weight per piece	0.13748 KG
Catalog page information	Page 97 (C-8-2013)

Product notes

WEEE/RoHS-compliant since:
06/22/2007



<http://www.download.phoenixcontact.com>
Please note that the data given here has been taken from the online catalog. For comprehensive information and data, please refer to the user documentation. The General Terms and Conditions of Use apply to Internet downloads.

Technical data

Dimensions

Width	22.5 mm
Height	112 mm
Depth	114.5 mm

Ambient conditions

Ambient temperature (operation)	-20 °C ... 55 °C
---------------------------------	------------------

Ambient temperature (storage/transport)	-40 °C ... 70 °C
Input data	
Nominal input voltage U_N	24 V AC/DC
Input voltage range in reference to U_N	0.8 ... 1.1
Typical input current at U_N	47 mA
Typical response time	20 ms
Typical release time	20 ms
Status display	Green LED
Output data	
Contact type	5 N/O contacts
	2 N/C contacts
Contact material	AgSnO ₂ , + 0.2 µm Au
Minimum switching voltage	15 V AC/DC
Maximum switching voltage	250 V AC/DC
Limiting continuous current	6 A
Inrush current, minimum	25 mA
Maximum inrush current	6 A
Sq. Total current	$72 \text{ A}^2 (I_{TH}^2 = I_1^2 + I_2^2 + \dots + I_5^2)$
Interrupting rating (ohmic load) max.	144 W (24 V DC, $\tau = 0 \text{ ms}$)
	288 W (48 V DC, $\tau = 0 \text{ ms}$)
	110 W (110 V DC, $\tau = 0 \text{ ms}$)
	88 W (220 V DC, $\tau = 0 \text{ ms}$)
	1500 VA (250 V AC, $\tau = 0 \text{ ms}$)
Maximum interrupting rating (inductive load)	42 W (24 V DC, $\tau = 40 \text{ ms}$)
	42 W (48 V DC, $\tau = 40 \text{ ms}$)
	42 W (110 V DC, $\tau = 40 \text{ ms}$)
	42 W (220 V DC, $\tau = 40 \text{ ms}$)
Switching capacity min.	0.4 W
Output fuse	6 A fast blow
	C6 (24 V AC/DC) automatic device
General	
Relay type	Electromechanically forcibly guided, dust-proof relay.
Mechanical service life	Approx. 10^7 cycles
Mounting type	DIN rail mounting

Degree of protection	IP20
Min. degree of protection of inst. location	IP54
Mounting position	any
Designation	Air and creepage distances between the power circuits
Standards/regulations	DIN EN 50178/VDE 0160
	EN 50205
Rated surge voltage / insulation	4 kV / basic insulation
Rated insulation voltage	250 V
Pollution degree	2
Surge voltage category	III

Connection data

Conductor cross section solid min.	0.2 mm ²
Conductor cross section solid max.	1.5 mm ²
Conductor cross section stranded min.	0.2 mm ²
Conductor cross section stranded max.	1.5 mm ²
Conductor cross section AWG/kcmil min.	24
Conductor cross section AWG/kcmil max	16
Stripping length	8 mm
Connection method	Spring-cage connection

Certificates / Approvals



Certification

cULus Listed, GOST

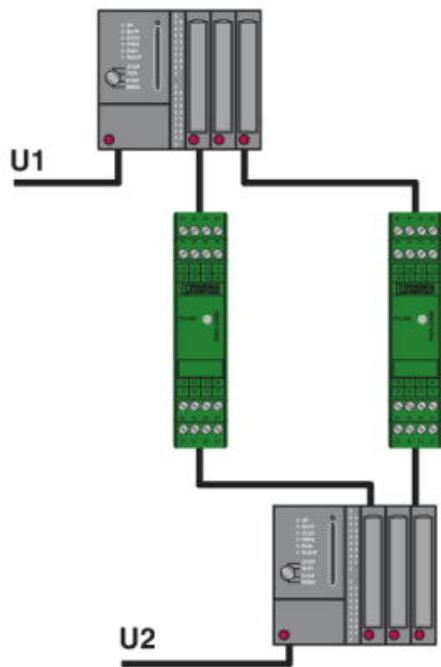
Certifications applied for:

Certification Ex:

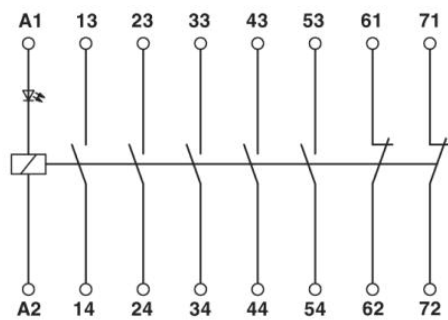
Drawings

Application drawing

Reliable signal exchange between two systems with confirmation function.



Circuit diagram



Address

PHOENIX CONTACT Deutschland GmbH
Flachmarktstr. 8
32825 Blomberg, Germany
Phone +49 5235 3 12000
Fax +49 5235 3 41200
<http://www.phoenixcontact.com>



© 2014 Phoenix Contact
Technical modifications reserved;