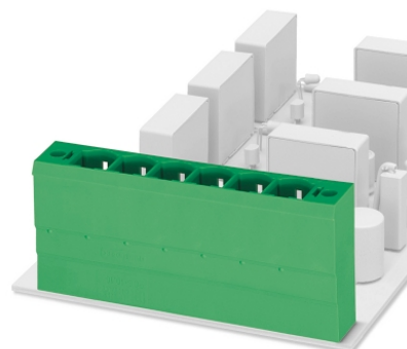


PCV 6-16/ 2-GF-10,16

Order No.: 1922569

The illustration shows a 6-position version

<http://eshop.phoenixcontact.de/phoenix/treeViewClick.do?UID=1922569>

Header, Pitch: 10.16 mm, Number of positions: 2

Commercial data

EAN	4017918727055
Pack	50 pcs.
Customs tariff	85366990
Weight/Piece	0.01411 KG
Catalog page information	Page 195 (CC-2002)

Product notes

WEEE/RoHS-compliant since:
01/01/2003

<http://www.download.phoenixcontact.com>
Please note that the data given here has been taken from the online catalog. For comprehensive information and data, please refer to the user documentation. The General Terms and Conditions of Use apply to Internet downloads.

Technical data

Dimensions / positions

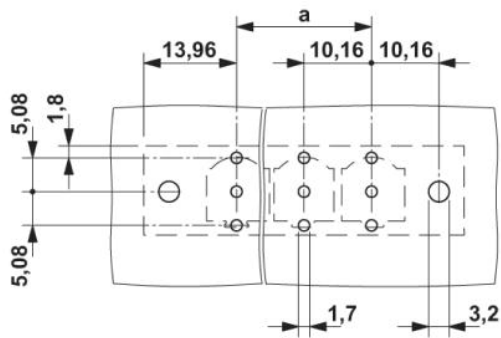
Pitch	10.16 mm
Number of positions	2

Accessories

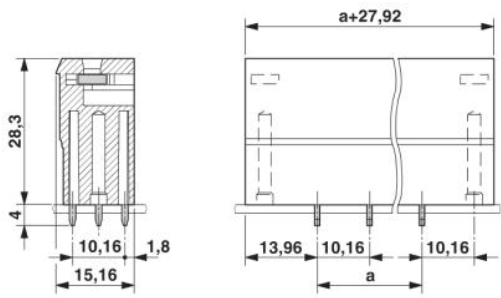
Item	Designation	Description
Plug/Adapter		
1600027	CP-HCC 4	Keying profile for contact inserts, Color: red

Drawings

Drilling diagram



Dimensioned drawing



Address

PHOENIX CONTACT GmbH & Co. KG
Flachsmarktstr. 8
32825 Blomberg, Germany
Phone +49 5235 3 00
Fax +49 5235 3 41200
<http://www.phoenixcontact.com>



© 2009 Phoenix Contact
Technical modifications reserved;