



5.08mm 45° rising clamp terminal blocks

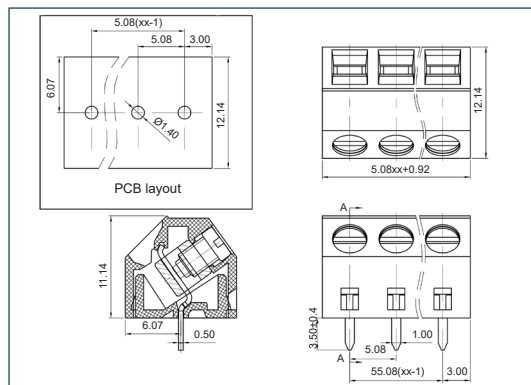
Product overview

- 2-12 pole solid block
- 45° cable entry
- Moulded in green UL94-V0 flame retardant PA
- Professional rising clamp terminals
- Cable acceptance - 0.13-2.08mm² (26-14AWG)
- Captive screw
-   approved



SPECIFICATION	
Rating	UL=15A/300V, VDE=24A/250V
Impulse withstand voltage	2.0kV/1min
Working temperature	-40°C to +105°C
Moulding	UL94-V0 flame retardant PA66
Pin/terminal	Tinned, nickel plated brass
Rising clamp	Tinned, nickel plated brass
Screw/torque	M3 steel zinc plated, 0.5Nm
Recommended PCB hole size	ø1.6mm

PART NO.	POLES	LENGTH
CTBP3008/2	2	11.08mm
CTBP3008/3	3	16.16mm
CTBP3008/4	4	21.32mm
CTBP3008/5	5	26.32mm
CTBP3008/6	6	31.4mm
CTBP3008/7	7	36.48mm
CTBP3008/8	8	41.56mm
CTBP3008/9	9	46.64mm
CTBP3008/10	10	51.72mm
CTBP3008/11	11	56.8mm
CTBP3008/12	12	61.88mm



KEY FEATURES

45° mounting | Interlocking | Professional rising clamp

