

NOTES:

1. MATERIALS:
HOUSING - LIQUID CRYSTAL POLYMER (LCP)
GLASS FILLED, UL94V-0, BLACK
SIGNAL PIN AND SHIELD - COPPER ALLOY
2. FINISHES:
CONTACT AREA - SELECTIVE GOLD (Au)
PCB TAILS - SELECTIVE MATTE TIN (Sn)
3. THIS PART CONFORMS TO MOLEX PRODUCT SPECIFICATION PS-74031-999.
4. FOR MIXED CONTACT LENGTH CONTACT MOLEX FOR AVAILABILITY.
5. FOR SPECIFIC MATERIAL NUMBERS AND MATING INFORMATION REFER TO SHEET 2.
6. PACKAGE PER PK-74060-003.
7. ASSEMBLY WILL BE MARKED WITH P/N AND DATE CODE WITH LASER MARK ON SIDE OF HOUSING OR BY LABEL ON THE TUBE.
8. MAPS (MOLEX ADVANCED PLATING SYSTEM).

UPDATE TABLE EC NO: UCP2014-3396 DRWNSVANG01 2014/02/14 CHKD:MMOLFE 2014/02/14 APPR:SMILLER 2014/02/25	QUALITY SYMBOLS 	GENERAL TOLERANCES (UNLESS SPECIFIED)		DIMENSION STYLE MM ONLY	SCALE 5:1	DESIGN UNITS METRIC	THIRD ANGLE PROJECTION
		4 PLACES ± --- ± --- 3 PLACES ± --- ± --- 2 PLACES ± 0.25 ± --- 1 PLACE ± 0.38 ± --- 0 PLACE ± --- ± ---	mm INCH	DRAWN BY JJONIAK DATE 2008/04/11	CHECKED BY BINGHAM DATE 2008/04/11	TITLE VHDM H-SERIES 8 ROW OPEN END BACKPLANE SALES DRAWING	
ANGLAR ±1/2°		DRAFT WHERE APPLICABLE MUST REMAIN WITHIN DIMENSIONS		MATERIAL NO. SEE SHEET 2	DOCUMENT NO. SD-76134-001	SHEET NO. 1 OF 2	
THIS DRAWING CONTAINS INFORMATION THAT IS PROPRIETARY TO MOLEX INCORPORATED AND SHOULD NOT BE USED WITHOUT WRITTEN PERMISSION							

MATERIAL NUMBER ASSIGNMENT

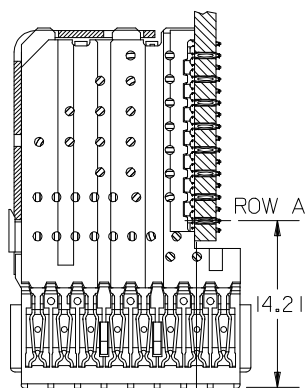
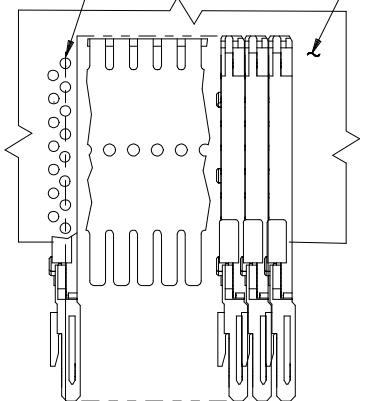
76134-***0*

PIN HEIGHT / PLATING
 1-4 = 0.25 or 0.76 GOLD
 6-9 = 1.27 GOLD

1 & 6 = 4.75
 2 & 7 = 6.25
 3 & 8 = 4.25
 4 & 9 = 5.15

NUMBER OF COLUMNS/PLATING
 10 = 10 COLUMN MATTE TIN (FORMERLY TIN/LEAD)
 25 = 25 COLUMN MATTE TIN (FORMERLY TIN/LEAD)
 60 = 10 COLUMN MATTE TIN (MAPS)
 75 = 25 COLUMN MATTE TIN (MAPS)
 90 = 10 COLUMN MATTE TIN
 85 = 25 COLUMN MATTE TIN

SIGNAL COLUMN
 DAUGHTERCARD CONNECTOR SIDE



0.41 OFFSET
 SIGNAL TO SIGNAL

2.45
 TOP OF DAUGHTERCARD PCB
 TO ϕ OF ROW A

SHIELD
 SIGNAL

ROW A

PART NUMBER	COLUMN	NUMBER OF SIGNAL PIN	NUMBER OF SHIELD	A	B	M	GOLD THICKNESS MICROMETER	TIN THICKNESS MICROMETER
76134-6001	10	80	10	20.00	18.00	4.75	0.25 MAPS	0.76-1.52
76134-*001							0.76	
76134-*006							1.27	
76134-7501	25	200	25	50.00	48.00	4.75	0.25 MAPS	
76134-*501							0.76	
76134-*506							1.27	
76134-6002	10	80	10	20.00	18.00	6.25	0.25 MAPS	
76134-*002							0.76	
76134-*007							1.27	
76134-7502	25	200	25	50.00	48.00	6.25	0.25 MAPS	
76134-*502							0.76	
76134-*507							1.27	
76134-6003	10	80	10	20.00	18.00	4.25	0.25 MAPS	
76134-*003							0.76	
76134-*008							1.27	
76134-7503	25	200	25	50.00	48.00	4.25	0.25 MAPS	
76134-*503							0.76	
76134-*508							1.27	
76134-6004	10	80	10	20.00	18.00	5.15	0.25 MAPS	
76134-*004							0.76	
76134-*009							1.27	
76134-7504	25	200	25	50.00	48.00	5.15	0.25 MAPS	
76134-*504							0.76	
76134-*509							1.27	

SEE SHEET 1 EC NO: UCP2014-3396 DRWNS:VANG01 2014/02/14 CHKD:MMOLFE 2014/02/14 APPR:SMILLER 2014/02/25	QUALITY SYMBOLS	GENERAL TOLERANCES (UNLESS SPECIFIED)	DIMENSION STYLE MM ONLY	SCALE 5:1	DESIGN UNITS METRIC	THIRD ANGLE PROJECTION
	▽=0	m/m INCH	DRAWN BY JJONIAK	DATE 2008/04/11	TITLE VHDM H-SERIES 8 ROW OPEN END BACKPLANE SALES DRAWING	
	▽=0	4 PLACES ± --- ± ---	CHECKED BY BINGHAM	DATE 2008/04/11	mox DOCUMENT NO. SD-76134-001 SHEET NO. 2 OF 2	
	▽=0	3 PLACES ± --- ± ---	APPROVED BY BINGHAM	DATE 2008/04/11		
		2 PLACES ± 0.25 ± ---	MATERIAL NO. SEE TABLE			
		1 PLACE ± 0.38 ± ---	DRAFT WHERE APPLICABLE MUST REMAIN WITHIN DIMENSIONS			
		0 PLACE ± --- ± ---	THIS DRAWING CONTAINS INFORMATION THAT IS PROPRIETARY TO MOLEX INCORPORATED AND SHOULD NOT BE USED WITHOUT WRITTEN PERMISSION			