



## Main

|                                    |   |
|------------------------------------|---|
| Range of product                   | OsiSense XS                                     |
| Series name                        | General purpose                                 |
| Sensor type                        | Inductive proximity sensor                      |
| Device application                 | Mobile equipment                                |
| Sensor name                        | XS1   |
| Sensor design                      | Cylindrical M18                                 |
| Size                               | 40 mm   |
| Body type                          | Fixed   |
| Detector flush mounting acceptance | Flush mountable                                 |
| Material                           | Metal   |
| Type of output signal              | Discrete  |
| Wiring technique                   | 3-wire  |
| [Sn] nominal sensing distance      | 0.31 in (8 mm)                                  |
| Discrete output function           | 1 NO  |
| Output circuit type                | DC  |
| Discrete output type               | PNP   |
| Electrical connection              | Cable   |
| Cable length                       | 16.40 ft (5 m)                                  |
| [Us] rated supply voltage          | 12...24 V DC reverse polarity protection        |
| Switching capacity in mA           | <= 200 mA overload and short-circuit protection |
| IP degree of protection            | IP65 IEC 60529<br>IP67 IEC 60529                |

## Complementary

|                          |                             |
|--------------------------|-----------------------------|
| Thread type              | M18 x 1                     |
| Detection face           | Frontal                     |
| Front material           | PPS                         |
| Enclosure material       | Nickel Plated Brass         |
| Operating zone           | 0.00...0.25 in (0...6.4 mm) |
| Differential travel      | 1...15% of Sr               |
| Cable composition        | 3 x 0.34 mm <sup>2</sup>    |
| Wire insulation material | PvR                         |
| Status LED               | Output state 1 LED yellow)  |
| Supply voltage limits    | 10...36 V DC                |
| Switching frequency      | <= 1000 Hz                  |
| Maximum voltage drop     | <2 V closed)                |
| Current consumption      | <= 10 mA no-load            |
| Maximum delay first up   | 10 ms                       |
| Maximum delay response   | 0.3 ms                      |
| Maximum delay recovery   | 0.7 ms                      |
| Marking                  | CE                          |
| Threaded length          | 1.10 in (28 mm)             |
| Length                   | 1.57 in (40 mm)             |

## Environment

|                                       |   |
|---------------------------------------|---|
| Product certifications                | E2<br>UL<br>CSA                         |
| Ambient air temperature for operation | -13...158 °F (-25...70 °C)              |
| Ambient air temperature for storage   | -40...185 °F (-40...85 °C)              |
| Vibration resistance                  | 25 gn +/- 2 mm 10...55 Hz)IEC 60068-2-6 |
| Shock resistance                      | 50 gn 11 ms IEC 60068-2-27              |

## Ordering and shipping details

|                       |                                    |
|-----------------------|------------------------------------|
| Category              | 22490 - SENSORS-ULTRASONIC (XX5,6) |
| Discount Schedule     | DS2                                |
| GTIN                  | 03389119036566                     |
| Nbr. of units in pkg. | 1                                  |
| Package weight(Lbs)   | 0.25 lb(US) (0.11 kg)              |
| Returnability         | No                                 |
| Country of origin     | FR                                 |

## Packing Units

|                        |                  |
|------------------------|------------------|
| Unit Type of Package 1 | PCE              |
| Package 1 Height       | 2.60 in (6.6 cm) |
| Package 1 width        | 3.70 in (9.4 cm) |
| Package 1 Length       | 5.12 in (13 cm)  |

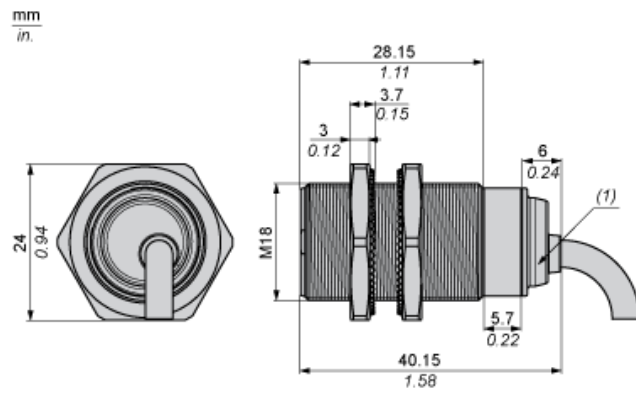
## Offer Sustainability

|                            |   |
|----------------------------|---|
| Sustainable offer status   | Green Premium product   |
| California proposition 65  | WARNING: This product can expose you to chemicals including: Diisononyl phthalate (DINP), which is known to the State of California to cause cancer, and Di-isodecyl phthalate (DIDP), which is known to the State of California to cause birth defects or other reproductive harm. For more information go to <a href="http://www.P65Warnings.ca.gov">www.P65Warnings.ca.gov</a> |
| REACH Regulation           | <a href="#">REACH Declaration</a>   |
| EU RoHS Directive          | Pro-active compliance (Product out of EU RoHS legal scope) <a href="#">EU RoHS Declaration</a>  |
| Mercury free               | Yes   |
| RoHS exemption information | <a href="#">Yes</a>   |
| Environmental Disclosure   | <a href="#">Product Environmental Profile</a>   |
| Circularity Profile        | <a href="#">End Of Life Information</a>   |

## Contractual warranty

|          |           |
|----------|-----------|
| Warranty | 18 months |
|----------|-----------|

Dimensions



(1) LED

---

Minimum Mounting Distances

---

Side by side



e (1) 16 mm/0.63 in.

≥

Face to face



e (2) 100 mm/3.94 in.

≥

Facing a metal object



e (3) 25 mm/0.98 in.

≥

---

Mounting

---



(1) Bending cable: 4 x external cable diameter

---

## Wiring Schemes

---

PNP



BU : Blue  
BN : Brown  
BK : Black