

XUYDCFCO966S

photoelectric sensor - XUY - M8 connector - Sn
4 mm - discrete solid state



Main

Range of product	OsiSense XU
Series name	Application packaging
Electronic sensor type	Photo-electric sensor
Sensor name	XUY
Sensor design	Fiber design
Detection system	Diffuse
Emission	White LED (450 - 650 nm)
[Sn] nominal sensing distance	18 Mm with fiber optic XUYFPDC61/101 4 mm with fiber optic XUYFPDCM861/M8101
Material	Plastic
Switching frequency	< 20 kHz
Type of output signal	Discrete
Supply circuit type	DC
Wiring technique	4-wire
Discrete output type	PNP and NPN
Discrete output function	1 NO or 1 NC programmable
Electrical connection	1 male connector M8, 4 pins

Complementary

Enclosure material	Polyamide
Lens material	Polyamide
Pulse frequency	40 kHz
Spot diameter	1.5 mm
Depth of field	- 3...1 mm with fiber optic XUYFPDC61/101 - 5...7 mm with fiber optic XUYFPDC61/101 +/- 1 mm with fiber optic XUYFPDCM861/M8101
Output type	Solid state
Status LED	Output state indication: 1 LED
[Us] rated supply voltage	24 V DC reverse polarity protection
Supply voltage limits	10...30 V DC
Voltage state 0 guaranteed	< 1.4 V
Voltage state 1 guaranteed	> 3 V
Switching capacity in mA	100 mA overload and short-circuit protection)
Maximum voltage drop	<2 V (closed state)
Current consumption	50 mA
Maximum delay response	25 μs
Maximum delay recovery	25 μs
Setting-up	With sensitivity adjustment
Net weight	0.10 lb(US) (0.047 kg)

Environment

Product certifications	CE CULus
Ambient air temperature for operation	32...104 °F (0...40 °C)
Ambient air temperature for storage	-4...176 °F (-20...80 °C)
Immunity to ambient light	10000 Lux natural light 20000 lux incandescent bulb
IP degree of protection	IP65 conforming to IEC 60529

Ordering and shipping details

Category	22481 - SENSORS, PHOTOELECTRIC
Discount Schedule	DS2
GTIN	03389119009966
Nbr. of units in pkg.	1
Package weight(Lbs)	0.1 lb(US) (0.05 kg)
Returnability	No
Country of origin	FR

Packing Units

Unit Type of Package 1	PCE
Package 1 Height	1.38 in (3.5 cm)
Package 1 width	2.76 in (7 cm)
Package 1 Length	5.12 in (13 cm)
Unit Type of Package 2	S02
Number of Units in Package 2	35
Package 2 Weight	4.68 lb(US) (2.123 kg)
Package 2 Height	5.91 in (15 cm)
Package 2 width	11.81 in (30 cm)
Package 2 Length	15.75 in (40 cm)

Offer Sustainability

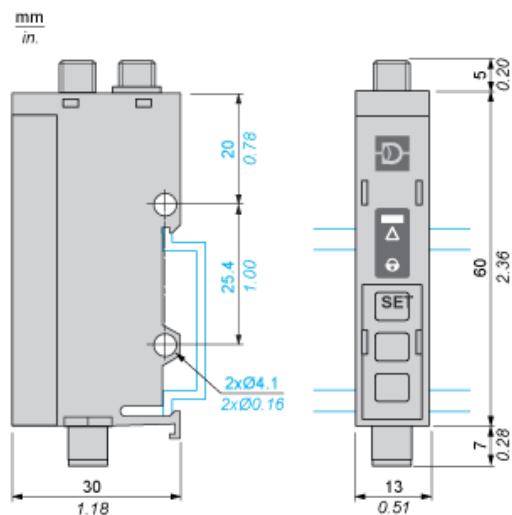
California proposition 65	WARNING: This product can expose you to chemicals including: Diisononyl phthalate (DINP), which is known to the State of California to cause cancer, and Di-isodecyl phthalate (DIDP), which is known to the State of California to cause birth defects or other reproductive harm. For more information go to www.P65Warnings.ca.gov
REACH Regulation	REACH Declaration
EU RoHS Directive	Pro-active compliance (Product out of EU RoHS legal scope) EU RoHS Declaration
Mercury free	Yes
RoHS exemption information	Yes

Contractual warranty

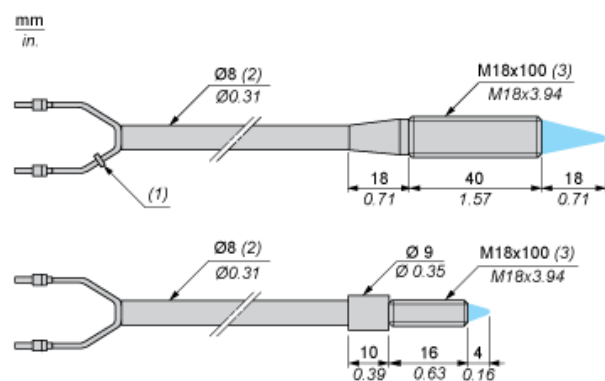
Warranty	18 months
----------	-----------

Dimensions

Sensors Dimensions



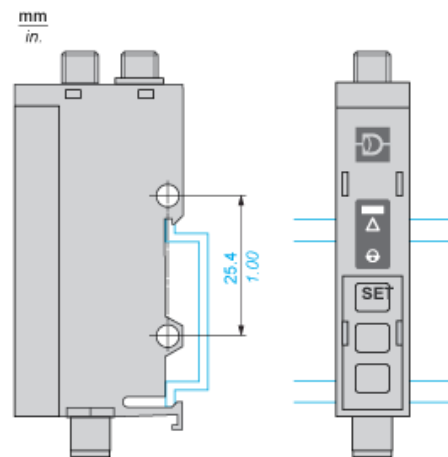
Fibres Dimensions (To be Ordered Separately)



- (1) The ring indicates that the fibre is transmitting
- (2) Bend radius: 15 mm
- (3) 2 nuts included with fibre optic

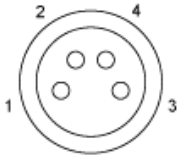
Mounting and Clearance

Mounting on 35 mm rail

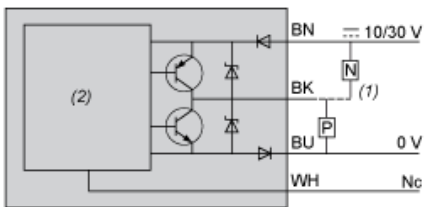


Wiring Schemes

Scheme



- 1 : Brown
- 2 : White
- 3 : Blue
- 4 : Black



- BN : Brown
- WH : White
- BU : Blue
- BK : Black
- (1) High level on first shade "taught"
- NC : Not connected