



Main

| | |
|-------------------------------|---|
| Range of product | OsiSense XU |
| Series name | Application packaging |
| Electronic sensor type | Photo-electric sensor |
| Product specific application | Colour |
| Sensor name | XUK |
| Sensor design | Compact 50 x 50 |
| Detection system | Diffuse |
| Emission | White LED |
| [Sn] nominal sensing distance | 0.79 in (20 mm) Ø 4 mm |
| Material | Plastic |
| Supply circuit type | DC |
| Type of output signal | Discrete |
| Wiring technique | 3-wire |
| Discrete output type | PNP |
| Discrete output function | 1 NO |
| Electrical connection | 1 male connector M12 adjustable through 90°, 8 pins |

Complementary

| | |
|----------------------------|---|
| Enclosure material | ABS |
| Lens material | Glass |
| Type of colour processing | RGB |
| Output type | Solid state |
| Output function governance | Light on |
| Add on input | Synchro + locking |
| Signalling function | 4-digit display |
| Status LED | Output state OUT 1 LED yellow) Output active 3 LEDs green) |
| [Us] rated supply voltage | 12...24 V DC |
| Supply voltage limits | 10...30 V DC |
| Switching capacity in mA | <= 100 mA reverse polarity, overload and short-circuit protection) |
| Switching frequency | <= 1500 Hz |
| Maximum voltage drop | <2 V closed state) |
| Current consumption | <= 60 mA no-load |
| Time delay range | 10 ms 20 ms 30 ms 40 ms 5 ms |
| Maximum delay response | 0.335 ms |
| Maximum delay recovery | 0.335 ms |
| Setting-up | Tolerance level Operating mode Sensitivity adjustment with teach mode |
| Depth | 1.97 in (50 mm) |
| Height | 1.97 in (50 mm) |
| Maximum Width | 0.98 in (25 mm) |
| Net Weight | 0.19 lb(US) (0.085 kg) |

Environment

| | |
|---------------------------------------|--|
| Product certifications | CE CULus |
| Ambient air temperature for operation | 14...131 °F (-10...55 °C) |
| Ambient air temperature for storage | -4...158 °F (-20...70 °C) |
| Vibration resistance | 7 gn +/- 0.5 mm 10...55 Hz)on the 3 axes IEC 60068-2-6 |
| Shock resistance | 30 gn 11 ms) 6 shocks on each axis IEC 60068-2-27 |
| IP degree of protection | IP65 IEC 60529 |

Ordering and shipping details

| | |
|-----------------------|--------------------------------|
| Category | 22481 - SENSORS, PHOTOELECTRIC |
| Discount Schedule | DS2 |
| GTIN | 03389110702125 |
| Nbr. of units in pkg. | 1 |
| Package weight(Lbs) | 0.2 lb(US) (0.09 kg) |
| Returnability | No |
| Country of origin | IT |

Packing Units

| | |
|------------------------------|------------------------|
| Unit Type of Package 1 | PCE |
| Package 1 Height | 1.77 in (4.5 cm) |
| Package 1 width | 3.15 in (8 cm) |
| Package 1 Length | 4.80 in (12.2 cm) |
| Unit Type of Package 2 | S02 |
| Number of Units in Package 2 | 21 |
| Package 2 Weight | 5.21 lb(US) (2.361 kg) |
| Package 2 Height | 5.91 in (15 cm) |
| Package 2 width | 11.81 in (30 cm) |
| Package 2 Length | 15.75 in (40 cm) |

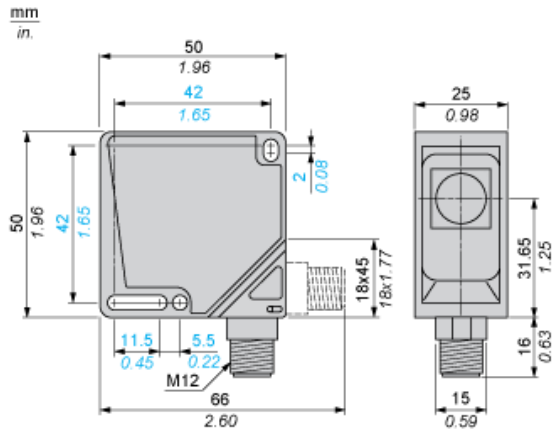
Offer Sustainability

| | |
|----------------------------|---|
| Sustainable offer status | Green Premium product |
| California proposition 65 | WARNING: This product can expose you to chemicals including: Diisononyl phthalate (DINP), which is known to the State of California to cause cancer, and Di-isodecyl phthalate (DIDP), which is known to the State of California to cause birth defects or other reproductive harm. For more information go to www.P65Warnings.ca.gov |
| REACH Regulation | REACH Declaration |
| EU RoHS Directive | Pro-active compliance (Product out of EU RoHS legal scope) EU RoHS Declaration |
| Toxic heavy metal free | Yes |
| Mercury free | Yes |
| RoHS exemption information | Yes |
| Environmental Disclosure | Product Environmental Profile |
| Circularity Profile | End Of Life Information |

Contractual warranty

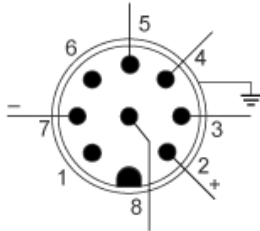
| | |
|----------|-----------|
| Warranty | 18 months |
|----------|-----------|

Dimensions



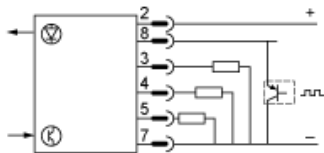
Wiring Schemes

Sensor Connector Pin View



| Pin N° | Type | Colour (2) |
|--------|-------------|------------------|
| 1 | - | WH (white) |
| 2 | 10...30 VDC | BN (brown) |
| 3 | Output 1 | TAN (tan) |
| 4 | Output 2 | YE (yellow) |
| 5 | Output 3 | GY (grey) |
| 6 | - | PK (pink) |
| 7 | 0 V | VT (violet) |
| 8 | Synchro | RD (red) |
| - | Screening | TR (transparent) |

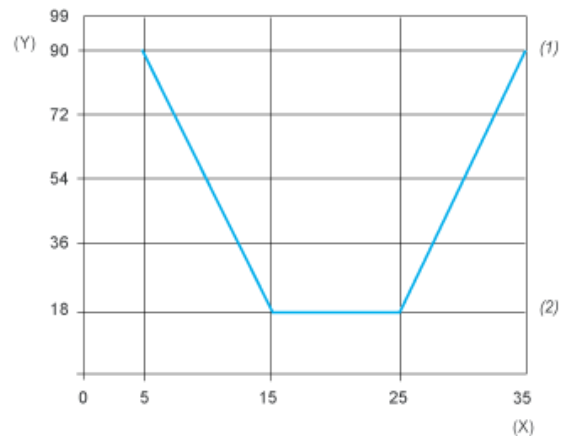
PNP Output + Synchro Input



Curves

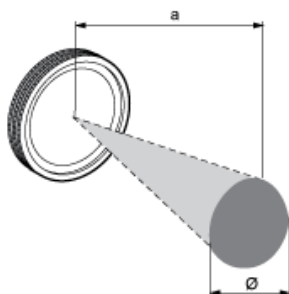
Detection Curve

Detection distance related to object's degree of reflection



- (y) Object reflection
- (x) Detection distance (mm)
- (1) White Yellow light
- (2) Dark blue Black

Detection Zone and Spot Size



| a (mm) | Ø (mm) |
|--------|--------|
| 20 | 4 |