



## Main

|                               |   |
|-------------------------------|---|
| Range of product              | OsiSense XU   |
| Series name                   | Application material handling   |
| Electronic sensor type        | Photo-electric sensor   |
| Sensor name                   | XUE   |
| Sensor design                 | Compact 90 x 90   |
| Detection system              | Diffuse   |
| Material                      | Plastic   |
| Supply circuit type           | DC  |
| Wiring technique              | 5-wire  |
| Discrete output type          | PNP   |
| Discrete output function      | 2 NO/NC programmable  |
| Analogue output range         | 4...20 mA   |
| Electrical connection         | 1 male connector M12, 5 pins  |
| Product specific application  | Distance measurement on object  |
| Emission                      | Infrared laser, pulsed 0.000035630 in (905 nm) - class 1 IEC 600825-1<br>Red laser, pulsed 0.000026378 in (670 nm) - class 2 IEC 600825-1 |
| [Sn] nominal sensing distance | 6 m   |

## Complementary

|                           |  |
|---------------------------|--|
| Enclosure material        | ABS, anti-shock  |
| Lens material             | PMMA   |
| Linearity                 | <= +/- 40 mm   |
| Spot dimension            | 4 x 12 mm at 6 meters  |
| Status LED                | Supply on 1 LED green)<br>Output 2 LEDs yellow)<br>Parametering 4 LEDs red)<br>Slow mode 1 LED orange) |
| [Us] rated supply voltage | 24 V DC with reverse polarity protection   |
| Supply voltage limits     | 18...30 V DC   |
| Switching capacity in mA  | 100 mA (overload and short-circuit protection)   |
| Switching time            | 13 ms fast mode<br>80 ms slow mode   |
| Maximum voltage drop      | <2.4 V closed state)   |
| Current consumption       | 125 mA no-load   |
| Maximum delay first up    | 80 Ms<br>13 ms   |
| Maximum delay response    | 13 Ms fast mode<br>80 ms slow mode   |
| Setting-up                | Parametering by buttons  |
| Height                    | 3.66 in (93 mm)  |
| Length                    | 3.74 in (95 mm)  |
| Maximum Width             | 1.65 in (42 mm)  |
| Net Weight                | 0.44 lb(US) (0.2 kg)   |

The information provided in this documentation contains general descriptions and/or technical characteristics of the performance of the products contained herein. This documentation is not intended as a substitute for and is not to be used for determining suitability or reliability of these products for specific user applications. It is the duty of any such user or integrator to perform the appropriate and complete risk analysis, evaluation and testing of the products with respect to the relevant specific application or use thereof. Neither Schneider Electric Industries SAS nor any of its affiliates or subsidiaries shall be responsible or liable for misuse of the information contained herein.

## Environment

|                                       |  |
|---------------------------------------|--|
| Product certifications                | CE<br>CULus                              |
| Ambient air temperature for operation | 14...122 °F (-10...50 °C)                |
| Ambient air temperature for storage   | -40...176 °F (-40...80 °C)               |
| Vibration resistance                  | 7 gn +/- 0.5 mm 10...55 Hz IEC 60947-5-2 |
| Shock resistance                      | 30 gn 11 ms) IEC 60947-5-2               |
| IP degree of protection               | IP67 conforming to IEC 60529             |



## Ordering and shipping details

|                       |                                |
|-----------------------|--------------------------------|
| Category              | 22481 - SENSORS, PHOTOELECTRIC |
| Discount Schedule     | DS2                            |
| GTIN                  | 03606480424991                 |
| Nbr. of units in pkg. | 1                              |
| Package weight(Lbs)   | 0.75 lb(US) (0.34 kg)          |
| Returnability         | Yes                            |
| Country of origin     | DE                             |

## Packing Units

|                              |                        |
|------------------------------|------------------------|
| Unit Type of Package 1       | PCE                    |
| Package 1 Height             | 2.17 in (5.5 cm)       |
| Package 1 width              | 6.30 in (16 cm)        |
| Package 1 Length             | 9.06 in (23 cm)        |
| Unit Type of Package 2       | S04                    |
| Number of Units in Package 2 | 10                     |
| Package 2 Weight             | 10.34 lb(US) (4.69 kg) |
| Package 2 Height             | 11.81 in (30 cm)       |
| Package 2 width              | 15.75 in (40 cm)       |
| Package 2 Length             | 23.62 in (60 cm)       |

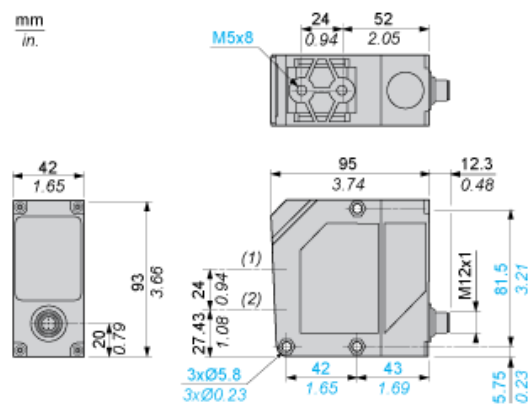
## Offer Sustainability

|                            |   |
|----------------------------|---|
| California proposition 65  | WARNING: This product can expose you to chemicals including: Diisononyl phthalate (DINP), which is known to the State of California to cause cancer, and Di-isodecyl phthalate (DIDP), which is known to the State of California to cause birth defects or other reproductive harm. For more information go to <a href="http://www.P65Warnings.ca.gov">www.P65Warnings.ca.gov</a> |
| EU RoHS Directive          | Pro-active compliance (Product out of EU RoHS legal scope)  <a href="#">EU RoHS Declaration</a>  |
| Mercury free               | Yes   |
| RoHS exemption information |  Yes   |

## Contractual warranty

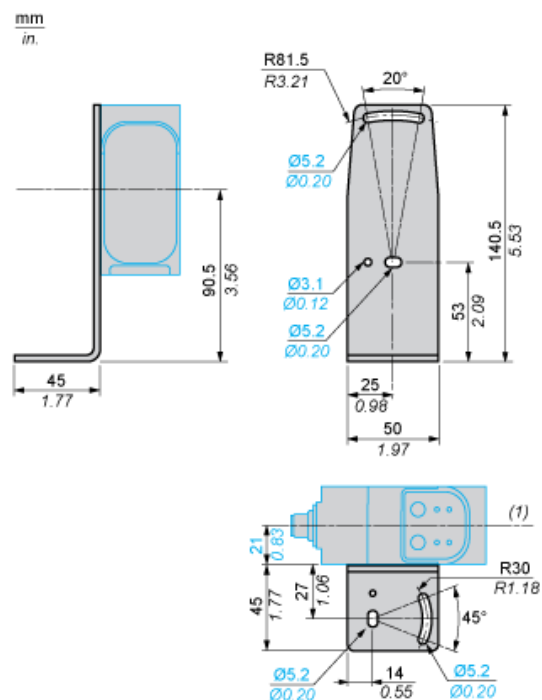
|          |           |
|----------|-----------|
| Warranty | 18 months |
|----------|-----------|

Dimensions



- (1) Receiver optical axis
- (2) Transmitter optical axis

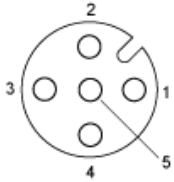
Dimensions with Fixing Bracket XUZA618



- (1) Optical axis

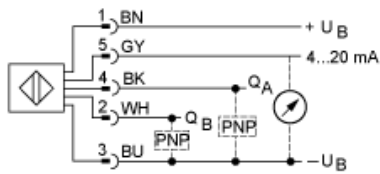
## Wiring Schemes

### M12 Connector



- 1: + U<sub>B</sub>
- 2: Q<sub>B</sub>
- 3: - U<sub>B</sub>
- 4: Q<sub>A</sub>
- 5: 4...20mA

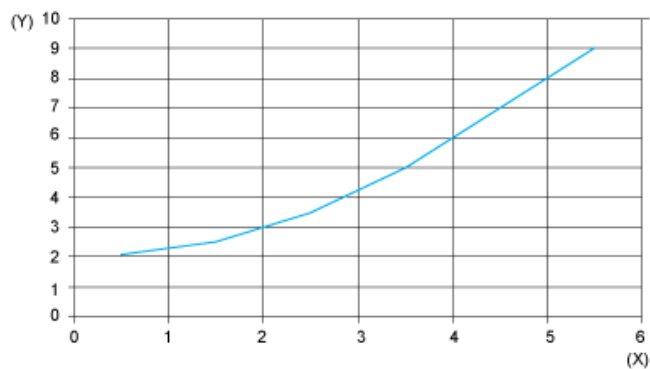
### Output



- BN : Brown
- WH : White
- BU : Blue
- BK : Black
- GY : Grey

Curves

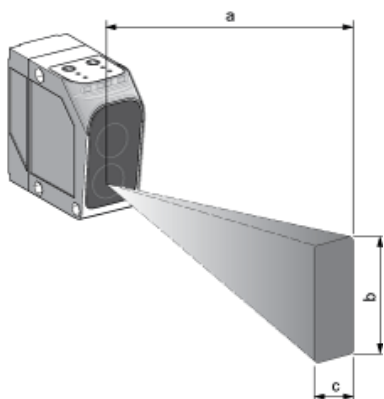
Minimum Size of Detectable Object Related to Distance



(y) Length of object (mm)  
(x) Distance (m)

Curves

Light Spot Size (Not Visible)



| a (m) | b (mm) | c (mm) |
|-------|--------|--------|
| 0     | 10     | 5      |
| 2     | 7      | 4      |
| 4     | 10     | 3      |
| 6     | 12     | 4      |