



Main

Range of product	OsiSense XU
Series name	Application material handling
Electronic sensor type	Photo-electric sensor
Sensor name	XUY
Sensor design	Compact 50 x 50
Detection system	Diffuse
Material	Plastic
Supply circuit type	DC
Wiring technique	4-wire
Analogue output range	0...10 V
Electrical connection	1 male connector M12, 4 pins
Product specific application	Measuring thickness of mechanical parts Position control of robot arm
Emission	Red laser, pulsed 0.000025591 in (650 nm) - class 1 IEC 825-1
[Sn] nominal sensing distance	1.77...3.35 in (45...85 mm)

Complementary

Enclosure material	ABS, anti-shock
Pulse frequency	6 kHz
Linearity	< 1 %
Spot diameter	0.03 in (0.8 mm) at 65 mm
Spot dimension	Ø 0.8 mm at 65 mm
Resolution	20 µm
Status LED	Supply on 1 LED green) Dirty 1 LED red)
[Us] rated supply voltage	24 V DC reverse polarity protection
Supply voltage limits	18...28 V DC
Switching capacity in mA	3 mA overload and short-circuit protection)
Switching frequency	< 40 Hz
Maximum voltage drop	<2.4 V closed state)
Current consumption	35 mA no-load
Maximum delay response	30 ms output circuit
Setting-up	Parametering by buttons
Net Weight	0.13 lb(US) (0.057 kg)

Environment

Product certifications	CE
Ambient air temperature for operation	32...113 °F (0...45 °C)
Ambient air temperature for storage	-4...140 °F (-20...60 °C)
Immunity to ambient light	5000 lux natural light
Vibration resistance	7 gn +/- 1.5 mm 10...55 Hz) IEC 60068-2-6
Shock resistance	30 gn 11 ms) IEC 60068-2-27
IP degree of protection	IP67 conforming to IEC 60529

The information provided in this documentation contains general descriptions and/or technical characteristics of the performance of the products contained herein. This documentation is not intended as a substitute for and is not to be used for determining suitability or reliability of these products for specific user applications. It is the duty of any such user or integrator to perform the appropriate and complete risk analysis, evaluation and testing of the products with respect to the relevant specific application or use thereof. Neither Schneider Electric Industries SAS nor any of its affiliates or subsidiaries shall be responsible or liable for misuse of the information contained herein.



Ordering and shipping details

Category	22481 - SENSORS, PHOTOELECTRIC
Discount Schedule	DS2
GTIN	03389119009829
Nbr. of units in pkg.	1
Package weight(Lbs)	0.13 lb(US) (0.06 kg)
Returnability	No
Country of origin	DE

Packing Units

Unit Type of Package 1	PCE
Package 1 Height	1.10 in (2.8 cm)
Package 1 width	2.36 in (6 cm)
Package 1 Length	3.58 in (9.1 cm)

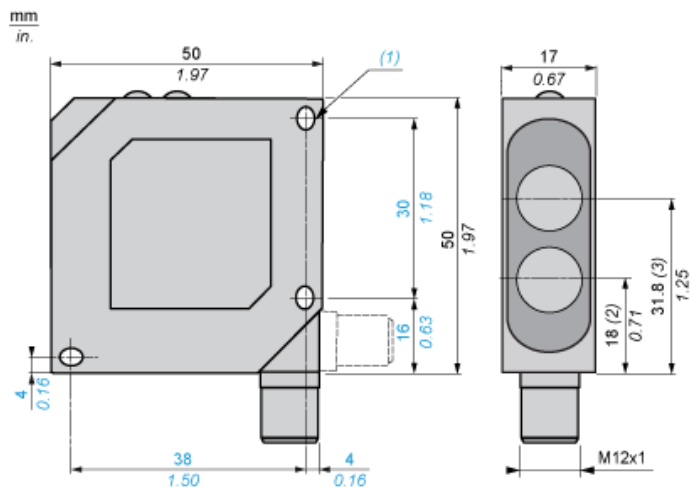
Offer Sustainability

California proposition 65	WARNING: This product can expose you to chemicals including: Diisononyl phthalate (DINP), which is known to the State of California to cause cancer, and Di-isodecyl phthalate (DIDP), which is known to the State of California to cause birth defects or other reproductive harm. For more information go to www.P65Warnings.ca.gov
EU RoHS Directive	Pro-active compliance (Product out of EU RoHS legal scope)  EU RoHS Declaration
Mercury free	Yes
RoHS exemption information	 Yes

Contractual warranty

Warranty	18 months
----------	-----------

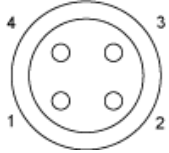
Dimensions



- (1) 2 elongated holes $\text{Ø} 4.3 \times 4$
- (2) Transmitter optical axis
- (3) Receiver optical axis

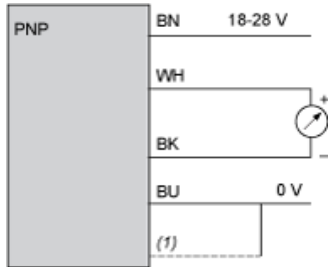
Wiring Schemes

M12



- 1: Brown
- 2: White
- 3: Blue
- 4: Black

PNP Output



- (+) Brown
- BN :
- WH : White
- (-) Blue
- BU :
- BK : Black
- (1) Shielding

NOTE: Shielded cable recommended

Adjustment Curves

