

Main

Range of product	Harmony XAR
Accessory / separate part type	Holder
Accessory / separate part category	Support accessory

Complementary

Material	Polypropylene
Maximum Width	4.09 in (104 mm)
Height	9.41 in (239 mm)
Depth	4.53 in (115 mm)
Product compatibility	Remote control ZART
Net Weight	0.55 lb(US) (0.25 kg)

Ordering and shipping details

Category	22479 - EXL HOIST WIRELESS PENDANT & ACC
Discount Schedule	CS2
GTIN	00785901826606
Nbr. of units in pkg.	1
Package weight(Lbs)	1 lb(US) (0.45 kg)
Returnability	No
Country of origin	FR

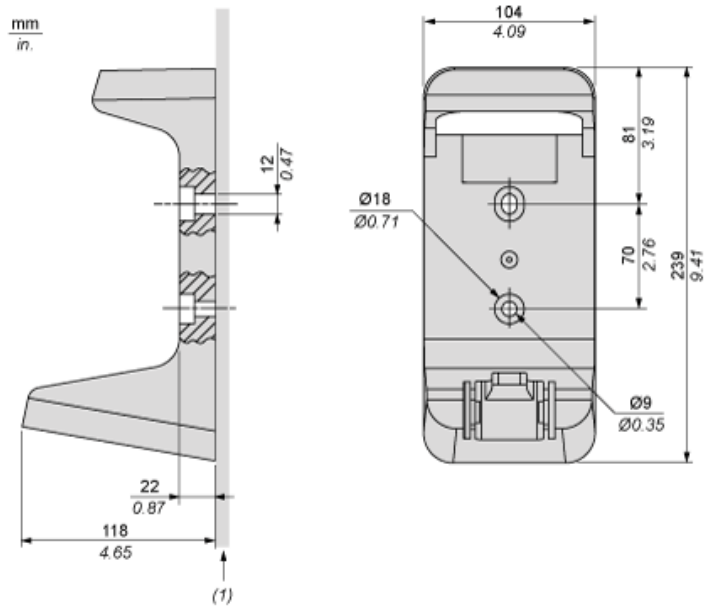
Packing Units

Unit Type of Package 1	PCE
Package 1 Height	4.96 in (12.6 cm)
Package 1 width	10.16 in (25.8 cm)
Package 1 Length	4.41 in (11.2 cm)
Unit Type of Package 2	S03
Number of Units in Package 2	6
Package 2 Weight	5.88 lb(US) (2.668 kg)
Package 2 Height	11.81 in (30 cm)
Package 2 width	11.81 in (30 cm)
Package 2 Length	15.75 in (40 cm)

Offer Sustainability

California proposition 65	WARNING: This product can expose you to chemicals including: Nickel compounds, which is known to the State of California to cause cancer, and Di-isodecyl phthalate (DIDP), which is known to the State of California to cause birth defects or other reproductive harm. For more information go to www.P65Warnings.ca.gov
EU RoHS Directive	Pro-active compliance (Product out of EU RoHS legal scope) EU RoHS Declaration
Mercury free	Yes
RoHS exemption information	Yes
China RoHS Regulation	China RoHS Declaration
WEEE	The product must be disposed on European Union markets following specific waste collection and never end up in rubbish bins.

Dimensions



(1) Installation on flat surface