

Product datasheet

Specifications



Ethernet / Serial RTU module - 2 x RJ45

BMXNOR0200H

Main

Range of product	Modicon M340
Product or component type	Communication module
Integrated connection type	Ethernet RJ45 10/100 Mbit/s 1 twisted pair transparent ready class C30 Serial RS232/485 RJ45 300/38400 bit/s 1 twisted pair transparent ready class C30
Protective treatment	Conformal coating

Complementary

Communication service	Bandwidth management Modbus TCP messaging DNP3/DNP3 IP protocol IEC 60870-5 -101/-104 protocol Time stamped events management External modem management (serial, PSTN, GSM, GPRS/3G) Data logging in CSV files Email/SMS notifications Web server, rack viewer, data editor BootP, DHCP, FDR client SMTP server, FTP client/server, NTP client, SNMP agent, Automatic events backup on power loss Multi-protocols support in a single module (master and slave) Transparent events routing from remote slaves to SCADA
Port Ethernet	10BASE-T/100BASE-TX
Memory description	Supplied Flash SD memory card (BMXRWS128MWF) 128000 kB
Memory usage	Activating the standard web server User web pages storage Data logging CSV files storage
Supply	Internal power supply via rack
Local signalling	1 LED (green) for activity on Ethernet network (ETH ACT) 1 LED (green) for processor running (RUN) 1 LED (green) for status of Ethernet network (ETH STS) 1 LED (red) for memory card fault (CARD ERR) 1 LED (red) for processor or system fault (ERR) 1 LED (red) for download in progress (DL) 1 LED (yellow) for serial communication (SER COM) 1 LED (green) for data rate (ETH LINK)
Current consumption	95 mA at 24 V DC
Module format	Standard
Net weight	0.2 kg

Environment

Ambient air temperature for operation	-25...70 °C
---------------------------------------	-------------

Relative humidity	10...95 % without condensation
IP degree of protection	IP20
Directives	2014/35/EU - low voltage directive 2014/30/EU - electromagnetic compatibility 2014/34/EU - ATEX directive
Product certifications	CE UL CSA RCM EAC Merchant Navy ATEX zone 2/22 IECEX zone 2/22 UKCA
Standards	EN/IEC 61131-2 EN/IEC 61010-2-201 UL 61010-2-201 CSA C22.2 No 61010-2-201 IACS E10 EN/IEC 61000-6-5, interface type 1 and type 2 EN/IEC 61850-3, location G EN/IEC 60079-0
Environmental characteristic	Gas resistant class Gx conforming to ISA S71.04 Gas resistant class 3C4 conforming to IEC 60721-3-3 Dust resistant class 3S4 conforming to IEC 60721-3-3 Sand resistant class 3S4 conforming to IEC 60721-3-3 Salt resistant level 2 conforming to IEC 68252 Mold growth resistant class 3B2 conforming to IEC 60721-3-3 Fungal spore resistant class 3B2 conforming to IEC 60721-3-3 Hazardous location class I division 2

Packing Units

Unit Type of Package 1	PCE
Number of Units in Package 1	1
Package 1 Height	5.500 cm
Package 1 Width	11.500 cm
Package 1 Length	12.000 cm
Package 1 Weight	257.000 g
Unit Type of Package 2	S02
Number of Units in Package 2	15
Package 2 Height	15.000 cm
Package 2 Width	30.000 cm
Package 2 Length	40.000 cm
Package 2 Weight	4.248 kg

Offer Sustainability

Sustainable offer status	Green Premium product
REACH Regulation	REACH Declaration
EU RoHS Directive	Pro-active compliance (Product out of EU RoHS legal scope) EU RoHS Declaration
Mercury free	Yes
China RoHS Regulation	China RoHS declaration
RoHS exemption information	Yes
Circularity Profile	End of Life Information
WEEE	The product must be disposed on European Union markets following specific waste collection and never end up in rubbish bins

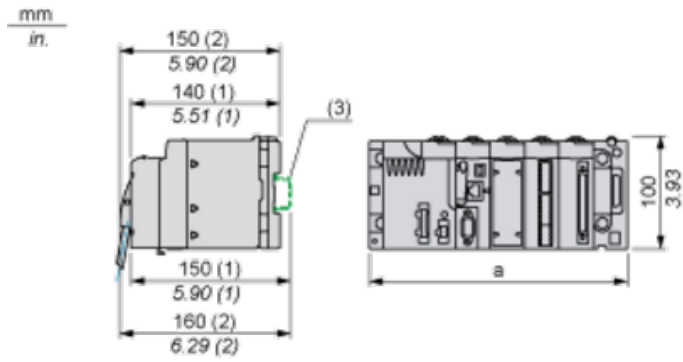
Contractual warranty

Warranty

18 months

Modules Mounted on Racks

Dimensions



(1) With removable terminal block (cage, screw or spring).

(2) With FCN connector.

(3) On AM1 ED rail: 35 mm wide, 15 mm deep. Only possible with BMXXBP0400/0400H/0600/0600H/0800/0800H rack.

Rack references	a in mm	a in in.
BMXXBP0400 and BMXXBP0400H	242.4	09.54
BMXXBP0600 and BMXXBP0600H	307.6	12.11
BMXXBP0800 and BMXXBP0800H	372.8	14.68
BMXXBP1200 and BMXXBP1200H	503.2	19.81

Recommended replacement(s)