



### Main

Range of product	Preventa Safety detection
Accessory / separate part category	Mounting and fixing accessories
Accessory / separate part type	Curved fixing bracket
Product compatibility	XUSL4E XUSL2E
Accessory / separate part destination	Safety light curtain type 2 Safety light curtain type 4

### Complementary

Kit composition	6 x curved bracket(s)
Net Weight	0.66 lb(US) (0.3 kg)


### Ordering and shipping details

Category	22455 - LIGHT CURTAINS - XUSL
Discount Schedule	DS2
GTIN	03389119618892
Nbr. of units in pkg.	1
Package weight(Lbs)	1 lb(US) (0.45 kg)
Returnability	No
Country of origin	IT

### Packing Units

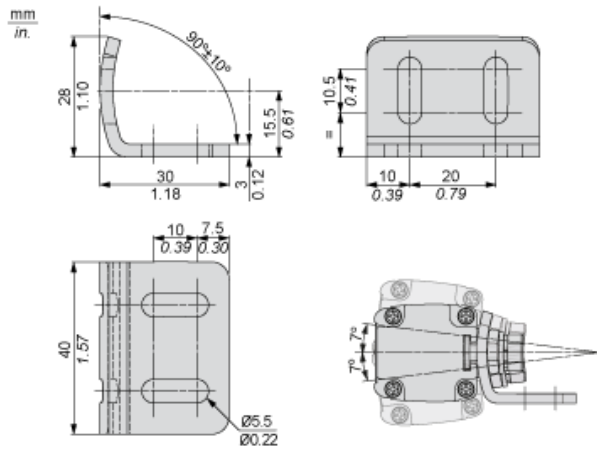
Unit Type of Package 1	PCE
Package 1 Height	2.76 in (7 cm)
Package 1 width	3.94 in (10 cm)
Package 1 Length	6.69 in (17 cm)
Unit Type of Package 2	S02
Number of Units in Package 2	10
Package 2 Weight	8.65 lb(US) (3.925 kg)
Package 2 Height	5.91 in (15 cm)
Package 2 width	11.81 in (30 cm)
Package 2 Length	15.75 in (40 cm)

### Offer Sustainability

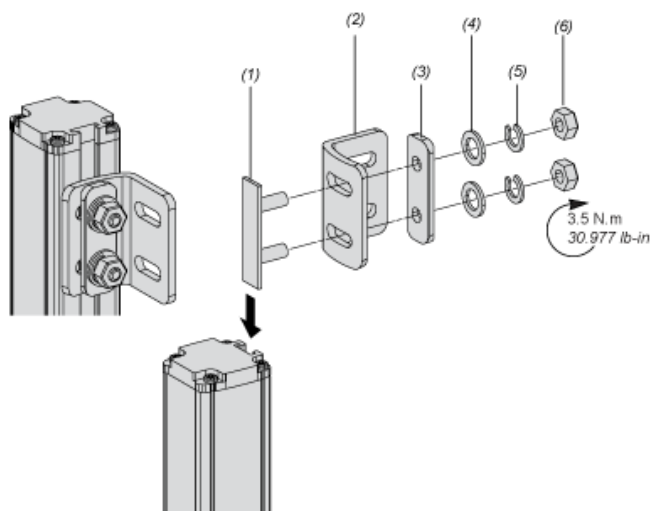
Sustainable offer status	Green Premium product
California proposition 65	WARNING: This product can expose you to chemicals including: Diisononyl phthalate (DINP), which is known to the State of California to cause cancer, and Di-isodecyl phthalate (DIDP), which is known to the State of California to cause birth defects or other reproductive harm. For more information go to <a href="http://www.P65Warnings.ca.gov">www.P65Warnings.ca.gov</a>
RECh free of SVHC	Yes
EU RoHS Directive	Pro-active compliance (Product out of EU RoHS legal scope)  <a href="#">EU RoHS Declaration</a>
Toxic heavy metal free	Yes

Mercury free	Yes
RoHS exemption information	<a href="#">Yes</a>
Environmental Disclosure	<a href="#">Product Environmental Profile</a>
Circularity Profile	<a href="#">End Of Life Information</a>

## Dimensions



## Mounting and Clearance



- (1) Insert
- (2) Curve bracket
- (3) Plate
- (4) Washer
- (5) Spring washer
- (6) Nut