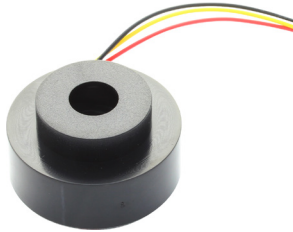


Piezo Buzzer with Feedback Lead

**RoHS
Compliant**



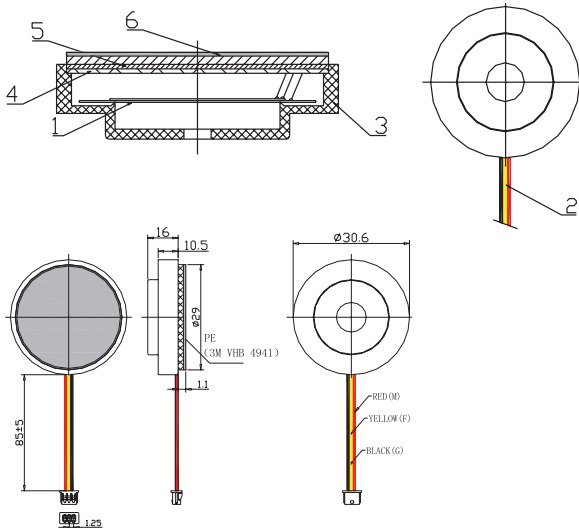
Features

- 12V DC piezo transducer fitted.
- The buzzer is supplied with mounting adhesive and leads fitted with connector for easy fitting.
- Loud buzzer – minimum of 105dB at 10cm.
- Supplied with adhesive tape and connector.
- Wave solder & wash not allowed.

Specifications

| | |
|--------------------------------|-------------------|
| Rated Voltage | : 12V DC |
| Operating Voltage | : 6V DC to 16V DC |
| Rated Current at Rated Voltage | : ≤ 30mA |
| Sound output at 2400Hz at 10cm | : ≥105dB |
| Resonant Frequency | : 3250Hz ±500Hz |
| Operating Temperature | : -40°C to +85°C |
| Storage Temperature | : -40°C to +85°C |
| Weight | : 6.6g |
| Tone | : Single |

Diagram



Dimensions : Millimetres
Tolerance: ±0.2mm

All data at 25°C unless otherwise specified

| No. | Part Name | Material | Qty. |
|-----|-------------------|------------------------------------|------|
| 1 | Piezo Element | Stainless Steel | 1 |
| 2 | Lead Wire | UL1571 AWG28 (Red, Yellow & Black) | 3 |
| 3 | Housing | Black ABS777D | 1 |
| 4 | PCB | Epoxy Board | |
| 5 | Cover | Black ABS777D | |
| 6 | Double Sided Foam | PE (3M VHB 4941) | |

Part Number Table

| Description | Part Number |
|--|-------------|
| Piezo Buzzer with Feedback Lead, 105dB | MP000295 |

Important Notice : This data sheet and its contents (the "Information") belong to the members of the AVNET group of companies (the "Group") or are licensed to it. No licence is granted for the use of it other than for information purposes in connection with the products to which it relates. No licence of any intellectual property rights is granted. The Information is subject to change without notice and replaces all data sheets previously supplied. The Information supplied is believed to be accurate but the Group assumes no responsibility for its accuracy or completeness, any error in or omission from it or for any use made of it. Users of this data sheet should check for themselves the Information and the suitability of the products for their purpose and not make any assumptions based on information included or omitted. Liability for loss or damage resulting from any reliance on the Information or use of it (including liability resulting from negligence or where the Group was aware of the possibility of such loss or damage arising) is excluded. This will not operate to limit or restrict the Group's liability for death or personal injury resulting from its negligence. Multicomp Pro is the registered trademark of Premier Farnell Limited 2019.

Newark.com/exclusive-brands
Farnell.com/exclusive-brands
Element14.com/exclusive-brands