



Is Now Part of



**ON Semiconductor®**

To learn more about ON Semiconductor, please visit our website at  
[www.onsemi.com](http://www.onsemi.com)

Please note: As part of the Fairchild Semiconductor integration, some of the Fairchild orderable part numbers will need to change in order to meet ON Semiconductor's system requirements. Since the ON Semiconductor product management systems do not have the ability to manage part nomenclature that utilizes an underscore (\_), the underscore (\_) in the Fairchild part numbers will be changed to a dash (-). This document may contain device numbers with an underscore (\_). Please check the ON Semiconductor website to verify the updated device numbers. The most current and up-to-date ordering information can be found at [www.onsemi.com](http://www.onsemi.com). Please email any questions regarding the system integration to [Fairchild\\_questions@onsemi.com](mailto:Fairchild_questions@onsemi.com).

ON Semiconductor and the ON Semiconductor logo are trademarks of Semiconductor Components Industries, LLC dba ON Semiconductor or its subsidiaries in the United States and/or other countries. ON Semiconductor owns the rights to a number of patents, trademarks, copyrights, trade secrets, and other intellectual property. A listing of ON Semiconductor's product/patent coverage may be accessed at [www.onsemi.com/site/pdf/Patent-Marking.pdf](http://www.onsemi.com/site/pdf/Patent-Marking.pdf). ON Semiconductor reserves the right to make changes without further notice to any products herein. ON Semiconductor makes no warranty, representation or guarantee regarding the suitability of its products for any particular purpose, nor does ON Semiconductor assume any liability arising out of the application or use of any product or circuit, and specifically disclaims any and all liability, including without limitation special, consequential or incidental damages. Buyer is responsible for its products and applications using ON Semiconductor products, including compliance with all laws, regulations and safety requirements or standards, regardless of any support or applications information provided by ON Semiconductor. "Typical" parameters which may be provided in ON Semiconductor data sheets and/or specifications can and do vary in different applications and actual performance may vary over time. All operating parameters, including "Typicals" must be validated for each customer application by customer's technical experts. ON Semiconductor does not convey any license under its patent rights nor the rights of others. ON Semiconductor products are not designed, intended, or authorized for use as a critical component in life support systems or any FDA Class 3 medical devices or medical devices with a same or similar classification in a foreign jurisdiction or any devices intended for implantation in the human body. Should Buyer purchase or use ON Semiconductor products for any such unintended or unauthorized application, Buyer shall indemnify and hold ON Semiconductor and its officers, employees, subsidiaries, affiliates, and distributors harmless against all claims, costs, damages, and expenses, and reasonable attorney fees arising out of, directly or indirectly, any claim of personal injury or death associated with such unintended or unauthorized use, even if such claim alleges that ON Semiconductor was negligent regarding the design or manufacture of the part. ON Semiconductor is an Equal Opportunity/Affirmative Action Employer. This literature is subject to all applicable copyright laws and is not for resale in any manner.

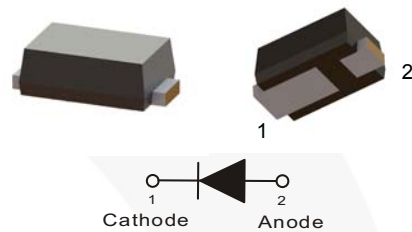


February 2017

# SS13HE - SS16HE 1 A, 30 V - 60 V Surface Mount Schottky Barrier Rectifiers

## Features

- Very Low Profile - Typical Height of 0.68 mm
  - Low Power Loss, High Efficiency
  - Moisture Sensitivity Level 1 per J-STD-020
  - UL Flammability 94V-0 Classification
  - RoHS Compliant / Green Mold Compound
  - Industrial Devices Qualified Per AEC-Q101 Rev. C Standards
- \* see authorized use policy



## Ordering Information

Part Number	Top Mark	Package	Packing Method
SS13HE	1A	SOD-323HE	Tape and Reel
SS14HE	1B	SOD-323HE	Tape and Reel
SS16HE	1C	SOD-323HE	Tape and Reel

## Absolute Maximum Ratings

Stresses exceeding the absolute maximum ratings may damage the device. The device may not function or be operable above the recommended operating conditions and stressing the parts to these levels is not recommended. In addition, extended exposure to stresses above the recommended operating conditions may affect device reliability. The absolute maximum ratings are stress ratings only. Values are at  $T_A = 25^\circ\text{C}$  unless otherwise noted.

Symbol	Parameter	Value			Unit
		SS13HE	SS14HE	SS16HE	
$V_{RRM}$	Maximum Repetitive Peak Reverse Voltage	30	40	60	V
$V_R$	Reverse Voltage	30	40	60	V
$I_{F(AV)}$	Maximum Average Forward Rectified Current	1			A
$I_{FSM}$	Peak Forward Surge Current, 8.3 ms Single Half Sine-Wave Superimposed on Rated Load	25			A
$T_J$	Operating Junction Temperature Range	-55 to +150			$^\circ\text{C}$
$T_{STG}$	Storage Temperature Range	-55 to +150			$^\circ\text{C}$

SS13HE - SS16HE — 1 A, 30 V - 60 V Surface Mount Schottky Barrier Rectifiers

### Thermal Characteristics<sup>(1)</sup>

Values are at  $T_A = 25^\circ\text{C}$  unless otherwise noted.

Symbol	Parameter	Value	Unit
$\psi_{JL}$	Junction to Lead Thermal Resistance Thermocouple Soldered to Cathode	21	$^\circ\text{C}/\text{W}$
$R_{\theta JA}$	Junction to Ambient Thermal Resistance (1)	199	$^\circ\text{C}/\text{W}$

Note 1: Per JESD51-3 Recommended Thermal Test Board. Device mounted on FR-4 PCB, board size = 76.2mm x 114.3mm

### Electrical Characteristics

Values are at  $T_A = 25^\circ\text{C}$  unless otherwise noted.

Symbol	Parameter	Conditions	Min.	Typ.	Max.	Unit
$V_F$	Instantaneous Forward Voltage <sup>(2)</sup>	$I_F = 0.5\text{ A}, T_J = 25^\circ\text{C}$	SS13HE SS14HE	0.41		V
		$I_F = 0.5\text{ A}, T_J = 125^\circ\text{C}$		0.31		
		$I_F = 1.0\text{ A}, T_J = 25^\circ\text{C}$	SS16HE	0.46	0.55	
		$I_F = 1.0\text{ A}, T_J = 125^\circ\text{C}$		0.40	0.50	
		$I_F = 0.5\text{ A}, T_J = 25^\circ\text{C}$	SS16HE	0.51		
		$I_F = 0.5\text{ A}, T_J = 125^\circ\text{C}$		0.45		
		$I_F = 1.0\text{ A}, T_J = 25^\circ\text{C}$		0.61	0.68	
		$I_F = 1.0\text{ A}, T_J = 125^\circ\text{C}$		0.54	0.60	
$I_R$	Reverse Current at Rated $V_R$	$T_J = 25^\circ\text{C}$	SS13HE SS14HE	5.0	50	$\mu\text{A}$
		$T_J = 125^\circ\text{C}$		3.0	10	mA
		$T_J = 25^\circ\text{C}$	SS16HE	2.0	50	$\mu\text{A}$
		$T_J = 125^\circ\text{C}$		1.5	10	mA
$T_{rr}$	Reverse Recovery Time	$I_F = 0.5\text{ A}, I_R = 1.0\text{ A}, I_{rr} = 0.25\text{ A}$	SS13HE SS14HE	5.6		ns
			SS16HE	8.3		
$C_J$	Junction Capacitance	$V_R = 4.0\text{ V}, f = 1\text{ MHz}$	SS13HE SS14HE	55		pF
			SS16HE	43		

**Note:**

2. Pulse test with  $PW = 300\ \mu\text{s}$ , 1% duty cycle.

## Typical Performance Characteristics

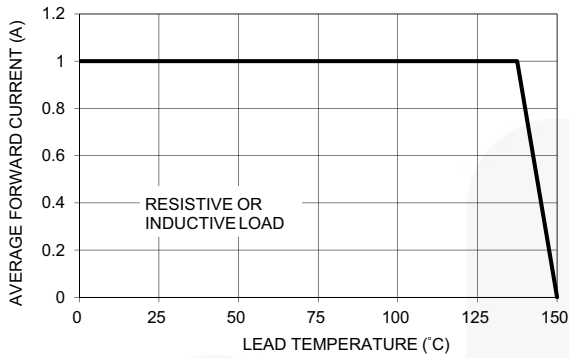


Figure 1. Forward Current Derating Curve

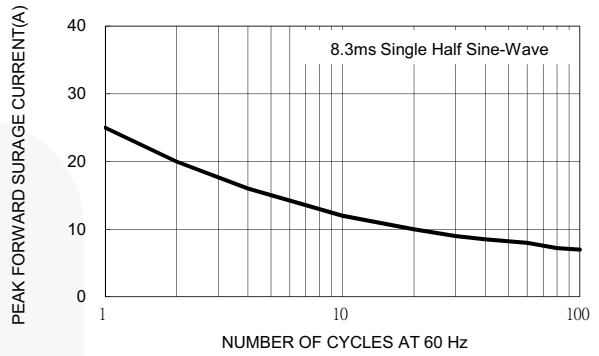


Figure 2. Maximum Non-Repetitive Forward Surge Current

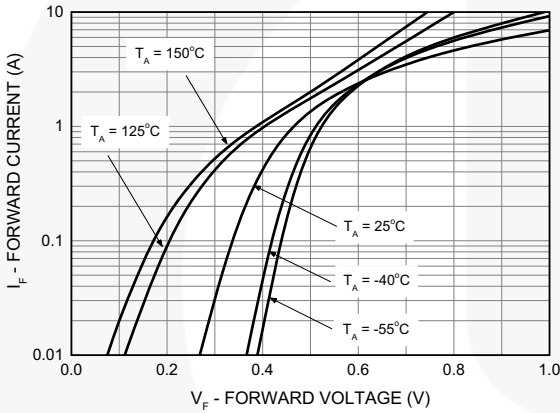


Figure 3. Typical Forward Characteristics - SS13HE / SS14HE

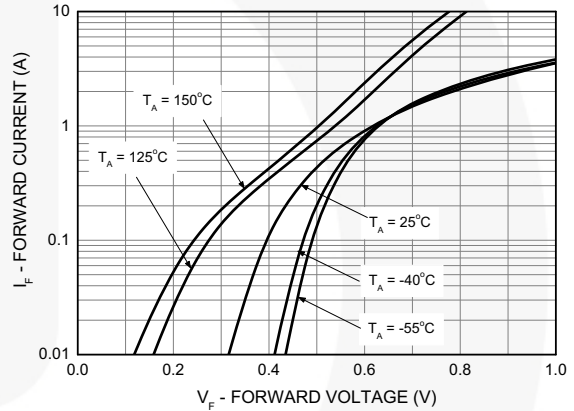


Figure 4. Typical Forward Characteristics - SS16HE

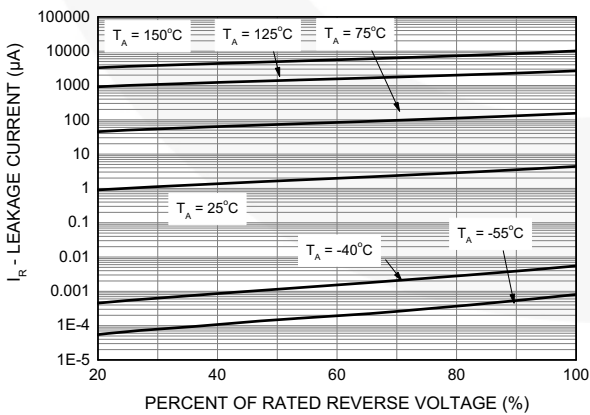


Figure 5. Typical Reverse Characteristics - SS13HE / SS14HE

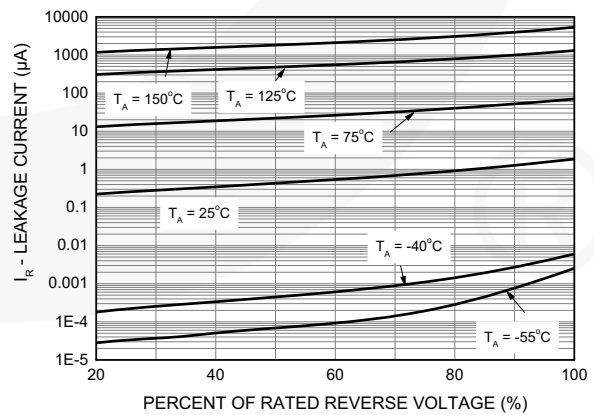


Figure 6. Typical Reverse Characteristics - SS16HE

Typical Performance Characteristics (Continued)

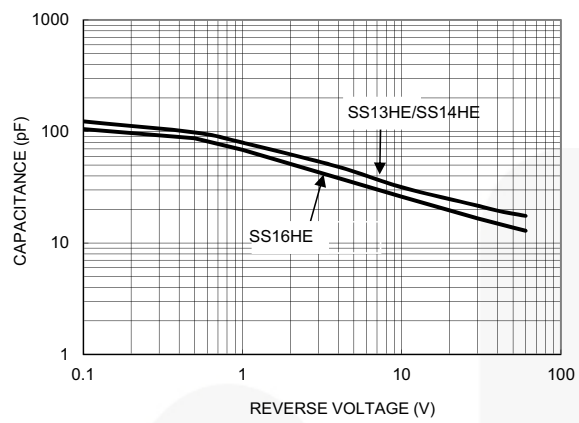
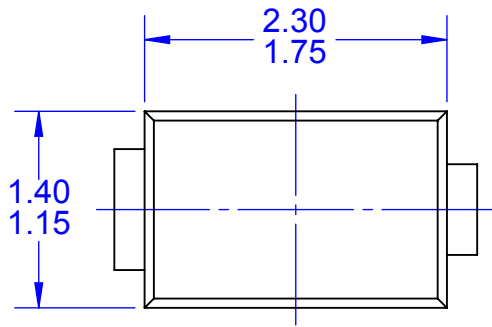
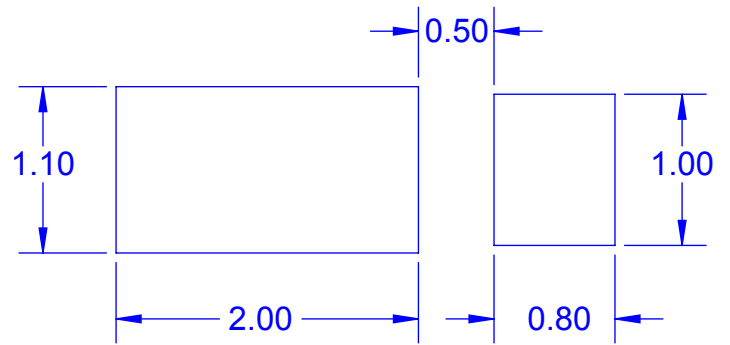


Figure 7. Typical Junction Capacitance

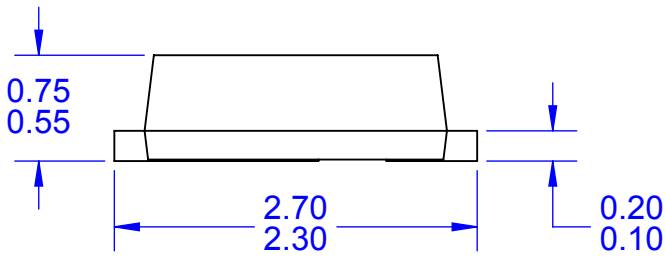




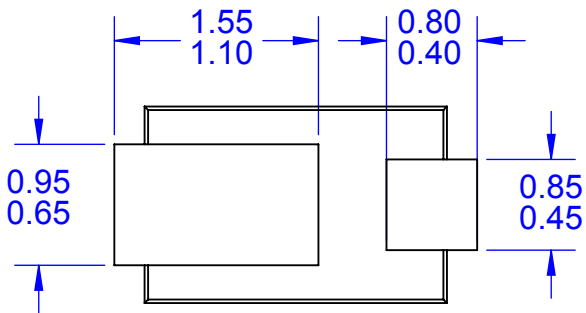
TOP VIEW



LAND PATTERN RECOMMENDATION



FRONT VIEW



BOTTOM VIEW

NOTES:

- A. THIS PACKAGE DOES NOT CONFORM TO ANY STANDARDS.
- B. ALL DIMENSIONS ARE IN MILLIMETERS.
- C. DIMENSIONS ARE EXCLUSIVE OF BURRS, MOLD FLASH AND TIE BAR PROTRUSIONS.
- D. DRAWING FILE NAME: MKT-SOD323Hrev2



ON Semiconductor and  are trademarks of Semiconductor Components Industries, LLC dba ON Semiconductor or its subsidiaries in the United States and/or other countries. ON Semiconductor owns the rights to a number of patents, trademarks, copyrights, trade secrets, and other intellectual property. A listing of ON Semiconductor's product/patent coverage may be accessed at [www.onsemi.com/site/pdf/Patent-Marking.pdf](http://www.onsemi.com/site/pdf/Patent-Marking.pdf). ON Semiconductor reserves the right to make changes without further notice to any products herein. ON Semiconductor makes no warranty, representation or guarantee regarding the suitability of its products for any particular purpose, nor does ON Semiconductor assume any liability arising out of the application or use of any product or circuit, and specifically disclaims any and all liability, including without limitation special, consequential or incidental damages. Buyer is responsible for its products and applications using ON Semiconductor products, including compliance with all laws, regulations and safety requirements or standards, regardless of any support or applications information provided by ON Semiconductor. "Typical" parameters which may be provided in ON Semiconductor data sheets and/or specifications can and do vary in different applications and actual performance may vary over time. All operating parameters, including "Typicals" must be validated for each customer application by customer's technical experts. ON Semiconductor does not convey any license under its patent rights nor the rights of others. ON Semiconductor products are not designed, intended, or authorized for use as a critical component in life support systems or any FDA Class 3 medical devices or medical devices with a same or similar classification in a foreign jurisdiction or any devices intended for implantation in the human body. Should Buyer purchase or use ON Semiconductor products for any such unintended or unauthorized application, Buyer shall indemnify and hold ON Semiconductor and its officers, employees, subsidiaries, affiliates, and distributors harmless against all claims, costs, damages, and expenses, and reasonable attorney fees arising out of, directly or indirectly, any claim of personal injury or death associated with such unintended or unauthorized use, even if such claim alleges that ON Semiconductor was negligent regarding the design or manufacture of the part. ON Semiconductor is an Equal Opportunity/Affirmative Action Employer. This literature is subject to all applicable copyright laws and is not for resale in any manner.

## PUBLICATION ORDERING INFORMATION

### LITERATURE FULFILLMENT:

Literature Distribution Center for ON Semiconductor  
19521 E. 32nd Pkwy, Aurora, Colorado 80011 USA  
**Phone:** 303-675-2175 or 800-344-3860 Toll Free USA/Canada  
**Fax:** 303-675-2176 or 800-344-3867 Toll Free USA/Canada  
**Email:** [orderlit@onsemi.com](mailto:orderlit@onsemi.com)

**N. American Technical Support:** 800-282-9855 Toll Free  
USA/Canada  
**Europe, Middle East and Africa Technical Support:**  
Phone: 421 33 790 2910  
**Japan Customer Focus Center**  
Phone: 81-3-5817-1050

**ON Semiconductor Website:** [www.onsemi.com](http://www.onsemi.com)  
**Order Literature:** <http://www.onsemi.com/orderlit>  
For additional information, please contact your local  
Sales Representative