



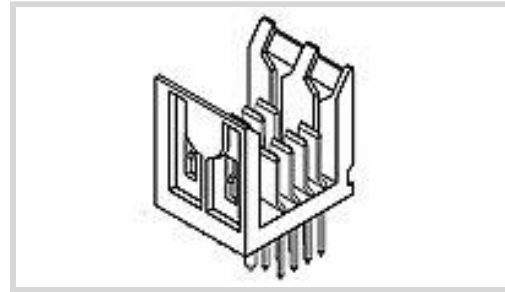
Z-PACK | Z-PACK Future Bus+

TE Part # 5536600-1

TE Internal #: 5536600-1

[View on TE.com >](#)

Connectors > Power Connectors > Rectangular Power > Rectangular Power Connectors



Product Type: **Header**

Housing Type: **Plug**

Connector System: **Board-to-Board**

Number of Positions: **8**

Centerline (Pitch): **2 mm [.079 in]**

Features

Product Type Features

Product Type	Header
Housing Type	Plug
Connector System	Board-to-Board
Sealable	No
Connector & Contact Terminates To	Printed Circuit Board
Contact Type	Pin

Configuration Features

Number of Positions	8
Interface Type	Futurebus+
PCB Mount Orientation	Vertical
Number of Power Positions	8
Number of Signal Positions	0
Number of Rows	4
Row-to-Row Spacing	2 mm[.079 in]
Board-to-Board Configuration	Right Angle

Electrical Characteristics

Operating Voltage	30 VDC
-------------------	--------

Contact Features

Contact Layout	Matrix
----------------	--------



Contact Base Material	Phosphor Bronze
Contact Current Rating (Max)	3 A, 5 A
Contact Retention	With
Contact Termination Area Plating Material	Tin
Contact Mating Area Plating Material	Gold
Contact Mating Area Plating Thickness	.76 μm [30 μin]
Contact Termination Area Plating Thickness	3.81 – 8.89 μm [150 – 350 μin]

Termination Features

Termination Post & Tail Length	3.43 mm[.135 in]
Termination Method to Printed Circuit Board	Through Hole - Press-Fit, Through Hole - Solder

Mechanical Attachment

Mating Alignment Type	Polarizing Rib
Connector Mounting Type	Board Mount

Housing Features

Centerline (Pitch)	2 mm[.079 in]
UL Flammability Rating	UL 94V-0
Housing Color	Natural
Housing Material	LCP (Liquid Crystal Polymer)

Dimensions

PCB Thickness (Recommended)	1.6 mm[.063 in]
Width	16 mm[.622 in]
Mating Post Length	6.5 mm[.256 in]
Height	17 mm[.6681 in]

Usage Conditions

Operating Temperature Range	-55 – 125 $^{\circ}\text{C}$ [-67 – 257 $^{\circ}\text{F}$]
-----------------------------	--

Operation/Application

Solder Process Feature	Board Standoff
Circuit Application	Power

Industry Standards

Glow Wire Rating	Standard Part - Not Glow Wire
------------------	-------------------------------

Packaging Features



Packaging Method	Tube
------------------	------

Packaging Quantity	48
--------------------	----

Other

For Use With	Receptacle Assembly
--------------	---------------------

Product Compliance

[For compliance documentation, visit the product page on TE.com>](#)

EU RoHS Directive 2011/65/EU	Compliant
------------------------------	-----------

EU ELV Directive 2000/53/EC	Compliant
-----------------------------	-----------

China RoHS 2 Directive MIIT Order No 32, 2016	No Restricted Materials Above Threshold
---	---

EU REACH Regulation (EC) No. 1907/2006	ECHAによる現在の候補リスト: 2019年1月(197) 候補リストの表記: 2019年1月(197)
--	---

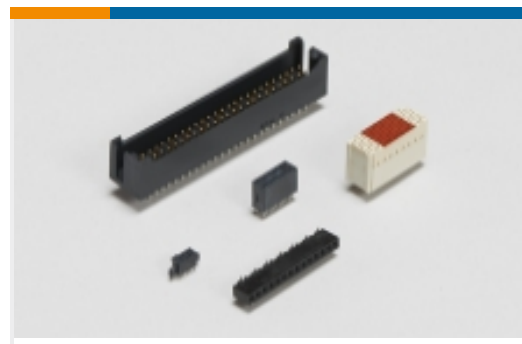
Halogen Content	Low Halogen - Br, Cl, F, I < 900 ppm per homogenous material. Also BFR/CFR/PVC Free
-----------------	---

Solder Process Capability	Pin-in-Paste capable to 260°C
---------------------------	-------------------------------

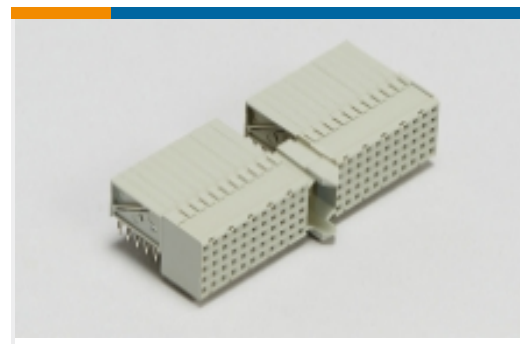
Product Compliance Disclaimer

This information is provided based on reasonable inquiry of our suppliers and represents our current actual knowledge based on the information they provided. This information is subject to change. The part numbers that TE has identified as EU RoHS compliant have a maximum concentration of 0.1% by weight in homogenous materials for lead, hexavalent chromium, mercury, PBB, PBDE, DBP, BBP, DEHP, DIBP, and 0.01% for cadmium, or qualify for an exemption to these limits as defined in the Annexes of Directive 2011/65/EU (RoHS2). Finished electrical and electronic equipment products will be CE marked as required by Directive 2011/65/EU. Components may not be CE marked. Additionally, the part numbers that TE has identified as EU ELV compliant have a maximum concentration of 0.1% by weight in homogenous materials for lead, hexavalent chromium, and mercury, and 0.01% for cadmium, or qualify for an exemption to these limits as defined in the Annexes of Directive 2000/53/EC (ELV). Regarding the REACH Regulations, TE's information on SVHC in articles for this part number is still based on the European Chemical Agency (ECHA) 'Guidance on requirements for substances in articles' (Version: 2, April 2011), applying the 0.1% weight on weight concentration threshold at the finished product level. TE is aware of the European Court of Justice ruling of September 10th, 2015 also known as O5A (Once An Article Always An Article) stating that, in case of 'complex object', the threshold for a SVHC must be applied to both the product as a whole and simultaneously to each of the articles forming part of its composition. TE has evaluated this ruling based on the new ECHA "Guidance on requirements for substances in articles" (June 2017, version 4.0) and will be updating its statements accordingly.

Also in the Series | [Z-PACK Future Bus+](#)



Board-to-Board Headers & Receptacles(168)



Hard Metric Backplane Connectors(1)



PCB Connector Shrouds(9)

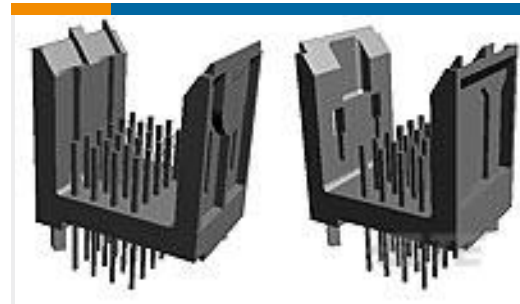


Rectangular Power Connectors(35)

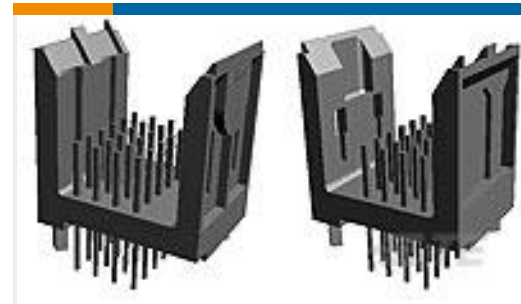
Customers Also Bought



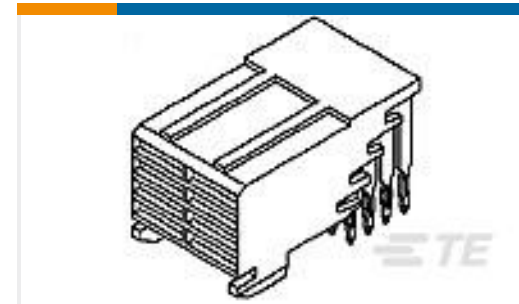
TE Part #1469028-1
HM-ZD 2PR RECP 40P



TE Part #5536501-3
2MM FB,ASY,96,SIG,HDR,
SL,4.25



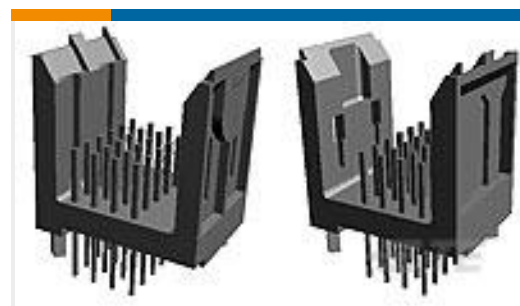
TE Part #5536501-2
2MM FB,ASY,48,SIG,HDR,
SL,4.25



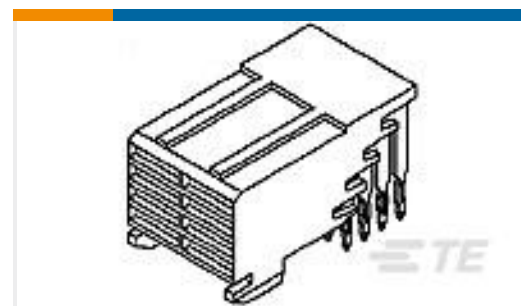
TE Part #5536614-1
2MM FB,ASY,008,PWR,
REC,EN,3.56



TE Part #6469081-1
HMZD 3PR, RECEPTACLE
ASSEMBLY



TE Part #5536501-1
2MM FB,ASY,24,SIG,HDR,
SL,4.25



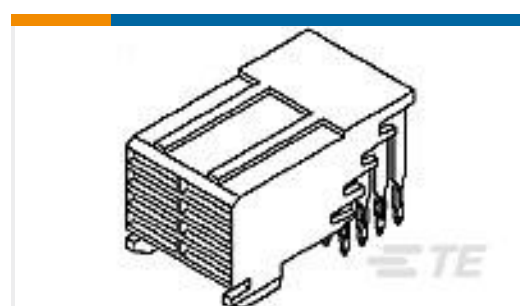
TE Part #5536607-1
2MM FB,ASY,008,PWR,
REC,SL,2.73



TE Part #2-406549-5
IMJ,1X1,PNL GRD,LED(G
/G), SN



TE Part #1761028-1
26 50SR R/A RCPT ASSY,
LEAD FREE



TE Part #5536613-1
2MM FB,ASY,008,PWR,
REC,SL,3.53

Documents

Product Drawings

[2MMFB,ASY,008,PWR,HDR,SL,4.25](#)

English

CAD Files

Customer View Model

[ENG_CVM_CVM_5536600-1_O.2d_dxf.zip](#)

English

[3D PDF](#)



3D

Customer View Model

[ENG_CVM_CVM_5536600-1_O.3d_igs.zip](#)

English

Customer View Model

[ENG_CVM_CVM_5536600-1_O.3d_stp.zip](#)

English

Datasheets & Catalog Pages

[POWER_CONNECTORS_CATALOG_SEC01_BOARD_TO_BOARD](#)

English

Product Specifications

[Application Specification](#)

English