



MULTI-BEAM

TE Part # 1-6450230-1

TE Internal #: 1-6450230-1

[View on TE.com >](#)

Connectors > Power Connectors > Rectangular Power > Rectangular Power Connectors



Product Type: **Connector Assembly**

Housing Type: **Plug**

Connector System: **Board-to-Board**

Number of Positions: **30**

Centerline (Pitch): **2.54 mm, 7.62 mm [.1 in, .3 in]**

Features

Product Type Features

Product Type	Connector Assembly
Housing Type	Plug
Connector System	Board-to-Board
Sealable	No
Connector & Contact Terminates To	Printed Circuit Board

Configuration Features

Mating & Unmating Configuration	Sequencing
Number of Positions	30
PCB Mount Orientation	Right Angle
Number of Power Positions	6
Number of Signal Positions	24
Number of Rows	4
Row-to-Row Spacing	2.54 mm[.1 in]
Board-to-Board Configuration	Right Angle

Contact Features

Power Contact Material	Tin
Contact Termination Area Plating Material	Tin
Contact Mating Area Plating Material	Gold
Underplate Material Thickness	3.43 μm

Termination Features

Termination Post & Tail Length	3.43 mm[.135 in]
--------------------------------	------------------



Termination Method to Printed Circuit Board

Through Hole - Solder

Mechanical Attachment

PCB Mount Retention

Without

Housing Features

Centerline (Pitch)

2.54 mm, 7.62 mm [.1 in][.3 in]

UL Flammability Rating

High Temperature Thermoplastic

Housing Color

Black

Housing Material

Polyphthalamide

Usage Conditions

Operating Temperature Range

-20 – 105 °C [-4 – 221 °F]

Product Compliance

[For compliance documentation, visit the product page on TE.com>](#)

EU RoHS Directive 2011/65/EU

Not Yet Reviewed

EU ELV Directive 2000/53/EC

Not Yet Reviewed

China RoHS 2 Directive MIIT Order No 32, 2016

No Restricted Materials Above Threshold

EU REACH Regulation (EC) No. 1907/2006

Current ECHA Candidate List: JAN 2019 (197)
Candidate List Declared Against: JUN 2018 (191)

Halogen Content

Low Halogen - Br, Cl, F, I < 900 ppm per homogenous material. Also BFR/CFR/PVC Free

Solder Process Capability

Wave solder capable to 265°C

Product Compliance Disclaimer

This information is provided based on reasonable inquiry of our suppliers and represents our current actual knowledge based on the information they provided. This information is subject to change. The part numbers that TE has identified as EU RoHS compliant have a maximum concentration of 0.1% by weight in homogenous materials for lead, hexavalent chromium, mercury, PBB, PBDE, DBP, BBP, DEHP, DIBP, and 0.01% for cadmium, or qualify for an exemption to these limits as defined in the Annexes of Directive 2011/65/EU (RoHS2). Finished electrical and electronic equipment products will be CE marked as required by Directive 2011/65/EU. Components may not be CE marked. Additionally, the part numbers that TE has identified as EU ELV compliant have a maximum concentration of 0.1% by weight in homogenous materials for lead, hexavalent chromium, and mercury, and 0.01% for cadmium, or qualify for an exemption to these limits as defined in the Annexes of Directive 2000/53/EC (ELV). Regarding the REACH Regulations, TE's information on SVHC in articles for this part number is still based on the European Chemical Agency (ECHA) 'Guidance on requirements for substances in articles' (Version: 2, April 2011), applying the 0.1% weight on weight concentration threshold at the finished product level. TE is aware of the European Court of Justice ruling of September 10th, 2015 also known as O5A (Once An Article Always An Article) stating that, in case of 'complex object', the threshold for a SVHC must be applied to both the product as a whole and simultaneously to each of the articles forming part of its composition. TE has evaluated this ruling based on the new ECHA "Guidance on requirements for substances in articles" (June 2017, version 4.0) and will be updating its statements accordingly.

Compatible Parts



TE Part # 1-6450140-0
MBXL VERT RCPT
3P+24S+3P



TE Part # 2-6450540-0
MBXL VERT RCPT
3P+24S+3P



TE Part # 6450160-8
MBXL R/A RCPT
3P+24S+3P



TE Part # 6450170-5
MBXL R/A RCPT
3P+24S+3P



TE Part # 6450570-2
MBXL R/A RCPT
3P+24S+3P

Customers Also Bought



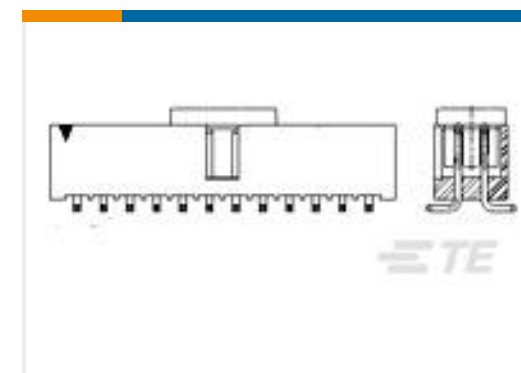
TE Part #171837-2
SPACER



TE Part #1-172158-9
MINI UNIVERSAL M-N-L
CAP 3P



TE Part #104503-7
08 MTE PIN HSG SR RIB .
100CL



TE Part #2-2041068-4
BOX HEADER, 2.0mm,
24POS, V/T, SMT



TE Part #292284-6
RECEPTACLE UNIVERSAL
POWER MODU 6P



TE Part #4-5175473-0
CHAMP 050 B/B PLUG V W
/LG 100P



TE Part #5-747916-5
37 Plug Solder Cup, 30
gold, R



TE Part #5175472-7
CHAMP 050 B/B PLUG H
W/LEG 60P



TE Part #63647-1
FASTON 250 TERMINAL-
FLAG REC 18-14AWG BR



TE Part #1-2176371-1
RQ 0603 5K9 0.1% 10PPM
5K RL



Documents

Product Drawings

[MBXL R/A HDR 3P+24S+3P](#)

English

CAD Files

[3D PDF](#)

3D

Customer View Model

[ENG_CVM_CVM_1-6450230-1_B.2d_dxf.zip](#)

English

Customer View Model

[ENG_CVM_CVM_1-6450230-1_B.3d_igs.zip](#)

English

Customer View Model

[ENG_CVM_CVM_1-6450230-1_B.3d_stp.zip](#)

English

Datasheets & Catalog Pages

[2_PIECE_POWER_CONNECTORS_qrg_4-1773458-1](#)

English

Product Specifications

[Application Specification](#)

English