



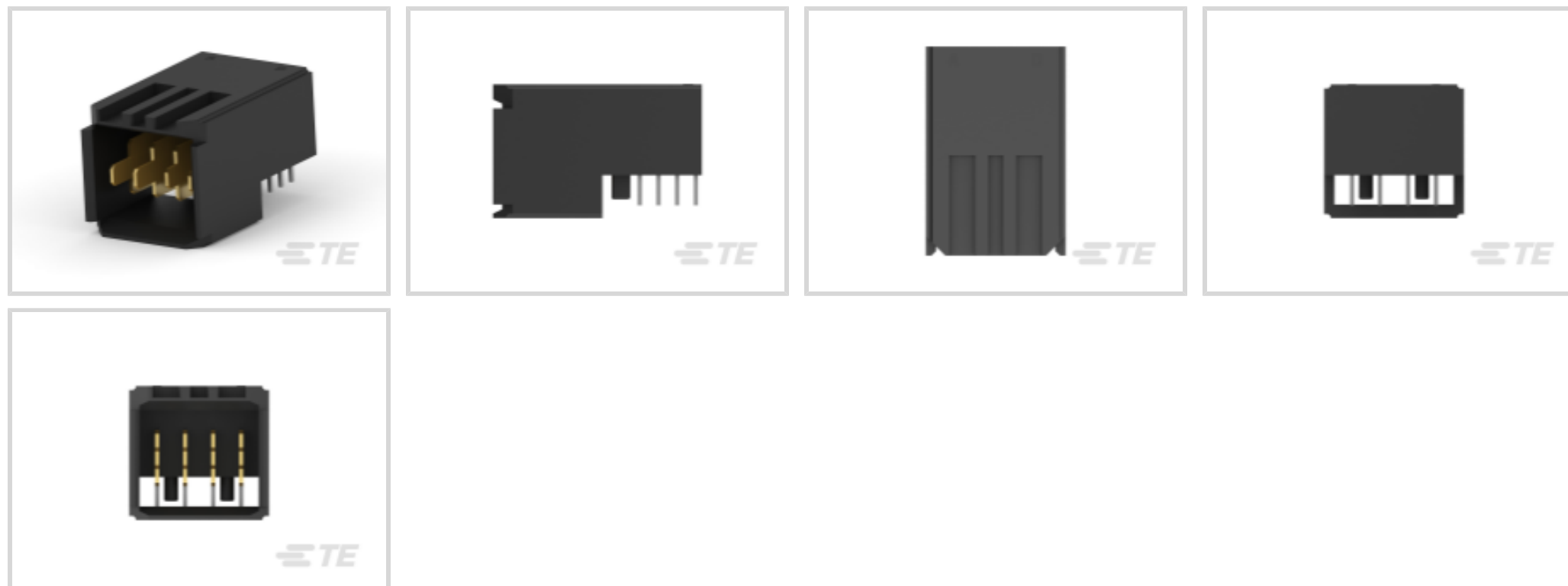
Z-PACK 2mm HM

TE Part # 120954-5

TE Internal #: 120954-5

[View on TE.com >](#)

Connectors > Power Connectors > Rectangular Power > Rectangular Power Connectors



Product Type: **Header**

Housing Type: **Plug**

Connector System: **Board-to-Board**

Number of Positions: **4**

Centerline (Pitch): **3 mm [.118 in]**

Features

Product Type Features

Product Type	Header
Housing Type	Plug
Connector System	Board-to-Board
Sealable	No
Connector & Contact Terminates To	Printed Circuit Board
Contact Type	Blade

Configuration Features

Number of Positions	4
Interface Type	2mm HM
PCB Mount Orientation	Right Angle
Number of Power Positions	4
Number of Signal Positions	0
Number of Rows	1
Board-to-Board Configuration	Right Angle

Electrical Characteristics



Operating Voltage	250 VDC
-------------------	---------

Contact Features

Contact Base Material	High Current Copper Alloy
Contact Current Rating (Max)	16 A
Contact Retention	With
Contact Termination Area Plating Material	Tin
Contact Mating Area Plating Material	Noble Metal
Contact Mating Area Plating Thickness	.5 – 1.25 µm[19.68 – 49.21 µin]

Termination Features

Termination Method to Printed Circuit Board	Through Hole - Press-Fit
---	--------------------------

Mechanical Attachment

Connector Mounting Type	Board Mount
-------------------------	-------------

Housing Features

Centerline (Pitch)	3 mm[.118 in]
UL Flammability Rating	UL 94V-0
Housing Color	Gray
Housing Material	Polyester GF

Usage Conditions

Operating Temperature Range	-55 – 125 °C[-67 – 257 °F]
-----------------------------	----------------------------

Operation/Application

Circuit Application	Power
---------------------	-------

Industry Standards

Glow Wire Rating	Standard Part - Not Glow Wire
Agency/Standard Number	E28476

Packaging Features

Packaging Method	Box
------------------	-----

Product Compliance

[For compliance documentation, visit the product page on TE.com>](#)

EU RoHS Directive 2011/65/EU	Compliant
EU ELV Directive 2000/53/EC	Compliant
China RoHS 2 Directive MIIT Order No 32, 2016	No Restricted Materials Above Threshold



EU REACH Regulation (EC) No. 1907/2006

Current ECHA Candidate List: JAN 2019
(197)

Candidate List Declared Against: JUN 2018
(191)

Halogen Content

Not Low Halogen - contains Br or Cl > 900 ppm.

Solder Process Capability

Not applicable for solder process capability

Product Compliance Disclaimer

This information is provided based on reasonable inquiry of our suppliers and represents our current actual knowledge based on the information they provided. This information is subject to change. The part numbers that TE has identified as EU RoHS compliant have a maximum concentration of 0.1% by weight in homogenous materials for lead, hexavalent chromium, mercury, PBB, PBDE, DBP, BBP, DEHP, DIBP, and 0.01% for cadmium, or qualify for an exemption to these limits as defined in the Annexes of Directive 2011/65/EU (RoHS2). Finished electrical and electronic equipment products will be CE marked as required by Directive 2011/65/EU. Components may not be CE marked. Additionally, the part numbers that TE has identified as EU ELV compliant have a maximum concentration of 0.1% by weight in homogenous materials for lead, hexavalent chromium, and mercury, and 0.01% for cadmium, or qualify for an exemption to these limits as defined in the Annexes of Directive 2000/53/EC (ELV). Regarding the REACH Regulations, TE's information on SVHC in articles for this part number is still based on the European Chemical Agency (ECHA) 'Guidance on requirements for substances in articles' (Version: 2, April 2011), applying the 0.1% weight on weight concentration threshold at the finished product level. TE is aware of the European Court of Justice ruling of September 10th, 2015 also known as O5A (Once An Article Always An Article) stating that, in case of 'complex object', the threshold for a SVHC must be applied to both the product as a whole and simultaneously to each of the articles forming part of its composition. TE has evaluated this ruling based on the new ECHA "Guidance on requirements for substances in articles" (June 2017, version 4.0) and will be updating its statements accordingly.

Also in the Series | Z-PACK 2mm HM



Backplane Coding Keys(60)



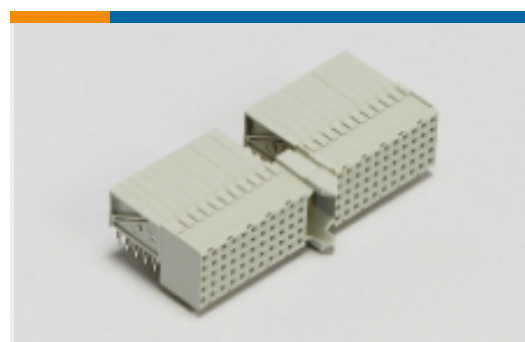
Backplane Guide Hardware (37)



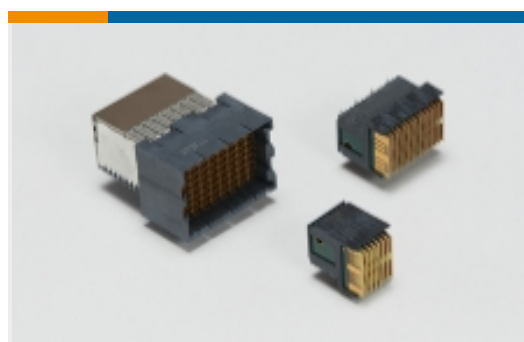
Board-to-Board Connector Contacts(8)



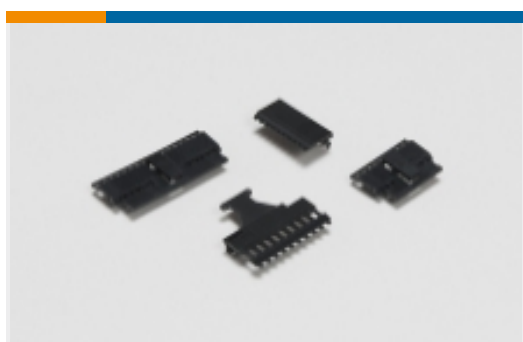
Board-to-Board Headers & Receptacles(6)



Hard Metric Backplane Connectors(257)



High Speed Backplane Connectors(8)



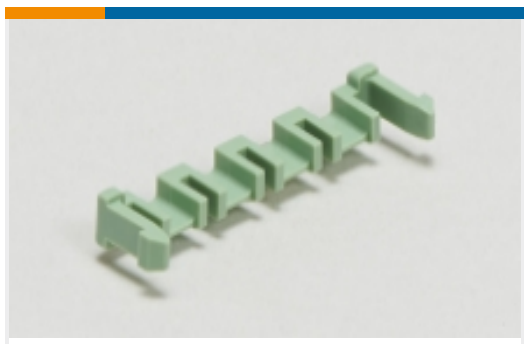
PCB Connector Covers(4)



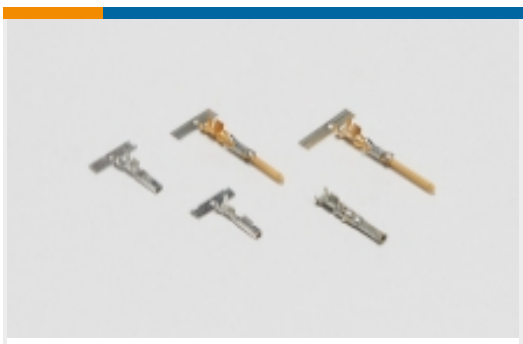
PCB Connector Shrouds (48)



PCB Ferrules & Shields(19)



PCB Latches, Locks & Retainers(1)



Power Contacts(1)

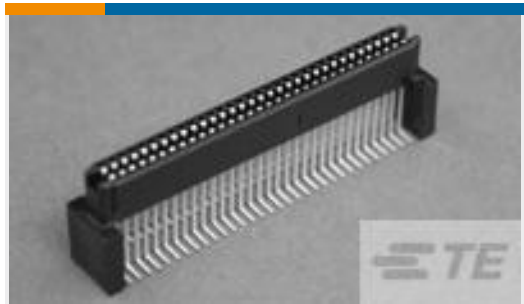


Rectangular Power Connectors(111)

Customers Also Bought



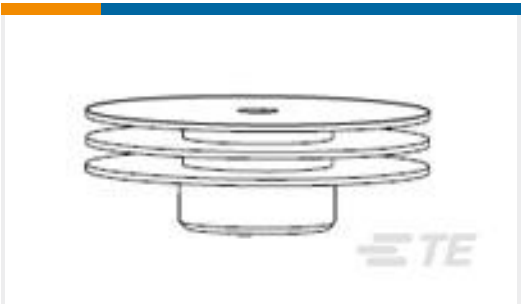
TE Part #6643450-1
IC CON, PIN, ASSY



TE Part #1-5146896-1
1FHR, 64, 50A/S, S, C, S14, 15



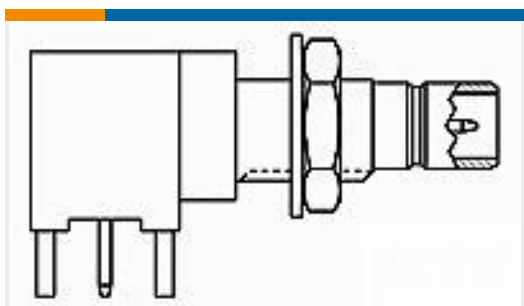
TE Part #1-6116317-0
2X8 OFFSET STK MJ,
SHLD, LED(R/G), PNL GND



TE Part #1542004-3
HTS703-U=25MM HS
ASSY ULTEM CL



TE Part #2-1542006-3
HTS186-U=HS 21MM
ASSY ULTEM CL



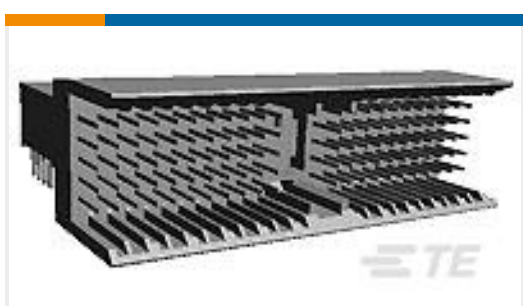
TE Part #415377-2
JACK, RATNG, PCB, SMB,
75 OHM



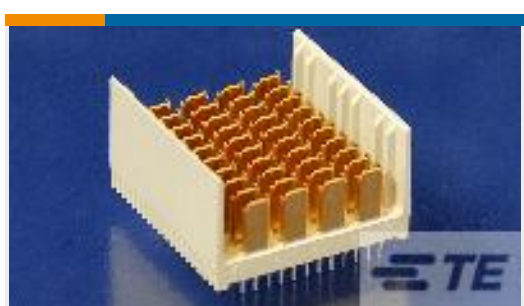
TE Part #5569381-2
STK MJ ASSY, 8POS, 2X1,
SHLD, CAT5



TE Part #6-103904-7
18 MTE HDR SRRA LATCH
W/HLDWN



TE Part #6345056-1
Z-PACK/B RAMH.110P.



TE Part #6469079-1
HMZD HDR ASSY 4 PR
SELECT LOAD

Documents

Product Drawings

UPM EXPANDED PIN ASSEMBLY

English

CAD Files

Customer View Model

ENG_CVM_CVM_120954-5_B.2d_dxf.zip

English

3D PDF



3D

Customer View Model

[ENG_CVM_CVM_120954-5_B.3d_igs.zip](#)

English

Customer View Model

[ENG_CVM_CVM_120954-5_B.3d_stp.zip](#)

English

Datasheets & Catalog Pages

[2_PIECE_POWER_CONNECTORS_qrg_4-1773458-1](#)

English

Product Environmental Compliance

[MD_120954-5_052120181012_dmtec](#)

English

[MD_120954-5_052120181012_dmtec](#)

English