

IEC FEMALE HSG.ASSY ✓ ACTIVE

EUROCARD

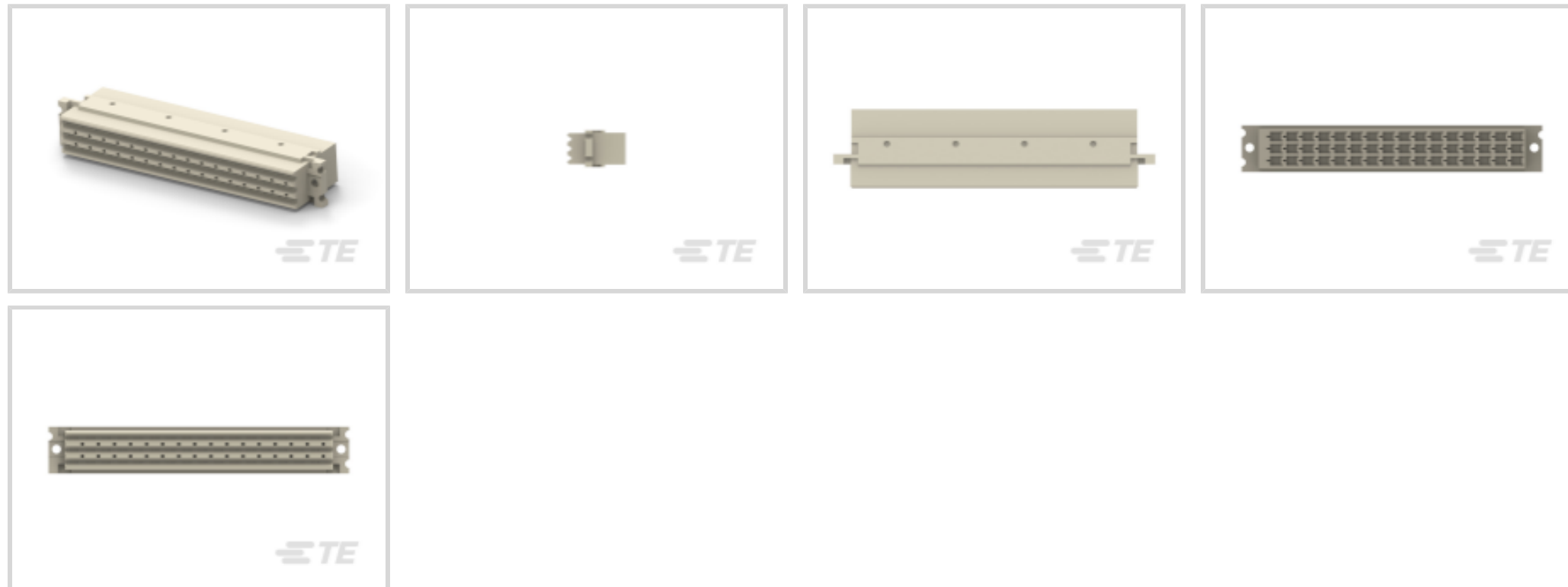
TE Part # 1-166569-0

TE Internal #: 1-166569-0

[View on TE.com >](#)



Connectors > PCB Connectors > Backplane Connectors > Backplane Connector Housings



Connector System: **Wire-to-Board**

Number of Positions: **48**

Centerline (Pitch): **2.54 mm [.1 in]**

Mating Alignment: **With**

Mating Alignment Type: **Keyed**

Features

Product Type Features

Connector Type	Housing
Product Type	Connector
Connector System	Wire-to-Board
Row-to-Row Spacing	4.3 mm[1.7 in]
Connector Style	Receptacle
Connector & Contact Terminates To	Wire & Cable

Configuration Features

Number of Positions	48
Number of Rows	3
Number of Columns	16

Body Features

Color	Gray
Drawer Style	Snap-Fit

Contact Features

Contact Type	Socket
--------------	--------

Contact Transmits (Typical)

Signal (Data)

Mechanical Attachment

Mounting Angle	Vertical
Mating Retention	Without
Panel Mount Feature	Without
Mating Alignment	With
Mating Alignment Type	Keyed

Housing Features

Housing Material	Noryl
Centerline (Pitch)	2.54 mm[.1 in]

Dimensions

Length	90 mm
--------	-------

Industry Standards

UL Flammability Rating	UL 94V-0
------------------------	----------

Packaging Features

Packaging Method	Tray
------------------	------

Product Compliance

[For compliance documentation, visit the product page on TE.com>](#)

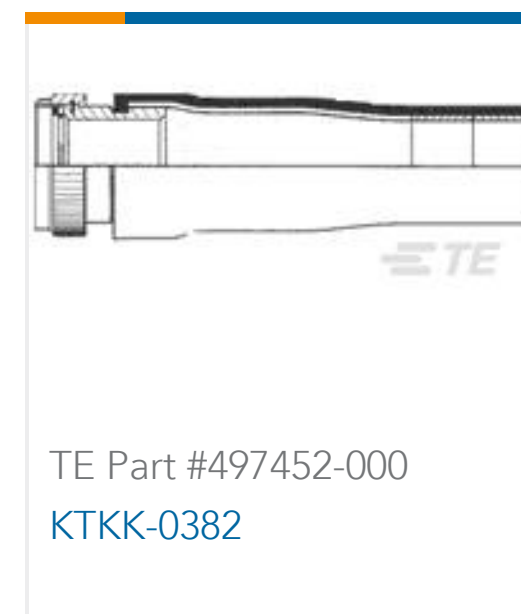
EU RoHS Directive 2011/65/EU	Compliant
EU ELV Directive 2000/53/EC	Compliant
China RoHS 2 Directive MIIT Order No 32, 2016	No Restricted Materials Above Threshold
EU REACH Regulation (EC) No. 1907/2006	Current ECHA Candidate List: JAN 2019 (197) Candidate List Declared Against: JAN 2018 (181)
Halogen Content	Not Low Halogen - contains Br or Cl > 900 ppm.
Solder Process Capability	Not applicable for solder process capability

Product Compliance Disclaimer

This information is provided based on reasonable inquiry of our suppliers and represents our current actual knowledge based on the information they provided. This information is subject to change. The part numbers that TE has identified as EU RoHS compliant have a maximum concentration of 0.1% by weight in homogenous materials for lead, hexavalent chromium, mercury, PBB, PBDE, DBP, BBP, DEHP, DIBP, and 0.01% for cadmium, or qualify for an exemption to these limits as defined in the Annexes of Directive 2011/65/EU (RoHS2). Finished electrical and electronic equipment products will be CE marked as required by Directive 2011/65/EU. Components may not be CE marked. Additionally, the part

numbers that TE has identified as EU ELV compliant have a maximum concentration of 0.1% by weight in homogenous materials for lead, hexavalent chromium, and mercury, and 0.01% for cadmium, or qualify for an exemption to these limits as defined in the Annexes of Directive 2000/53/EC (ELV). Regarding the REACH Regulations, TE's information on SVHC in articles for this part number is still based on the European Chemical Agency (ECHA) 'Guidance on requirements for substances in articles' (Version: 2, April 2011), applying the 0.1% weight on weight concentration threshold at the finished product level. TE is aware of the European Court of Justice ruling of September 10th, 2015 also known as O5A (Once An Article Always An Article) stating that, in case of 'complex object', the threshold for a SVHC must be applied to both the product as a whole and simultaneously to each of the articles forming part of its composition. TE has evaluated this ruling based on the new ECHA "Guidance on requirements for substances in articles" (June 2017, version 4.0) and will be updating its statements accordingly.

Customers Also Bought



Documents

Product Drawings

IEC FEMALE HSG.ASSY

English

CAD Files

3D PDF

3D

Customer View Model

[ENG_CVM_CVM_1-166569-0_E.2d_dxf.zip](#)

English

Customer View Model

[ENG_CVM_CVM_1-166569-0_E.3d_igs.zip](#)

English

Customer View Model

[ENG_CVM_CVM_1-166569-0_E.3d_stp.zip](#)

English

