

THIS DRAWING IS UNPUBLISHED.

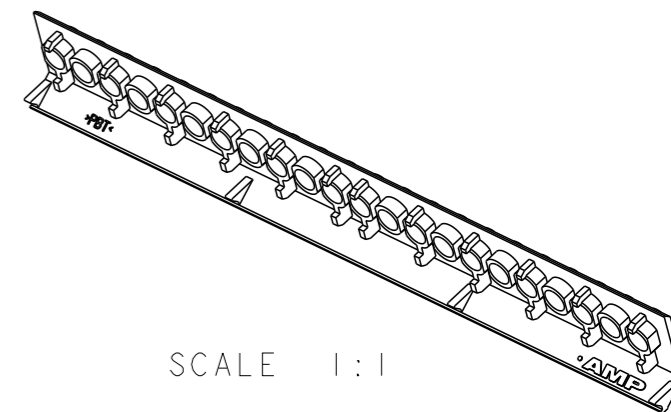
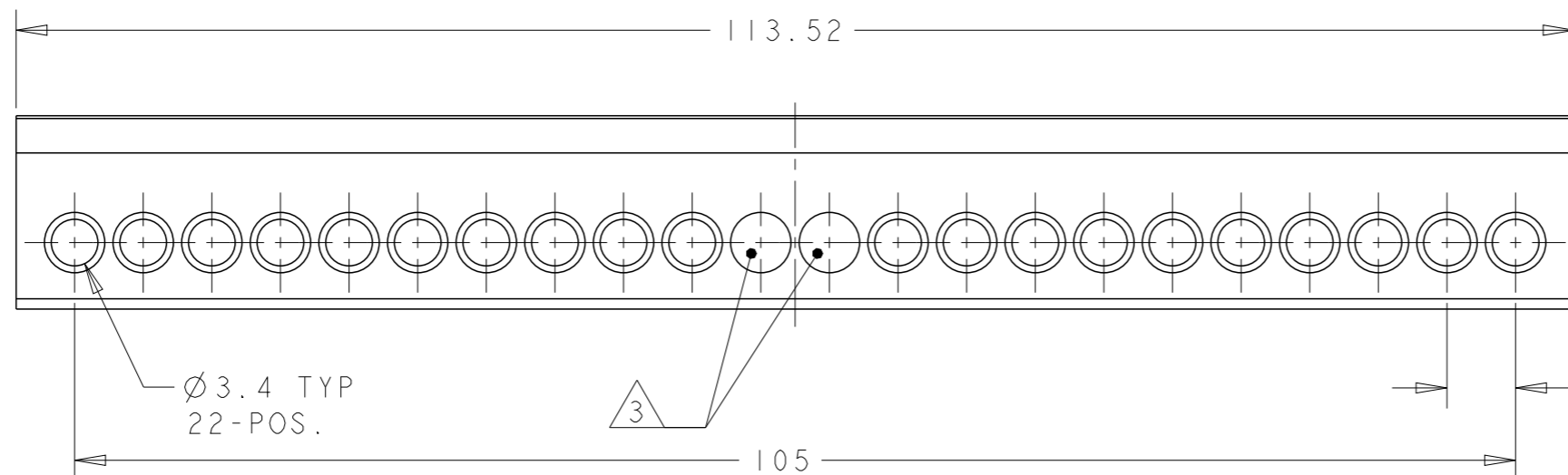
RELEASED FOR PUBLICATION

20

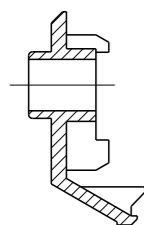
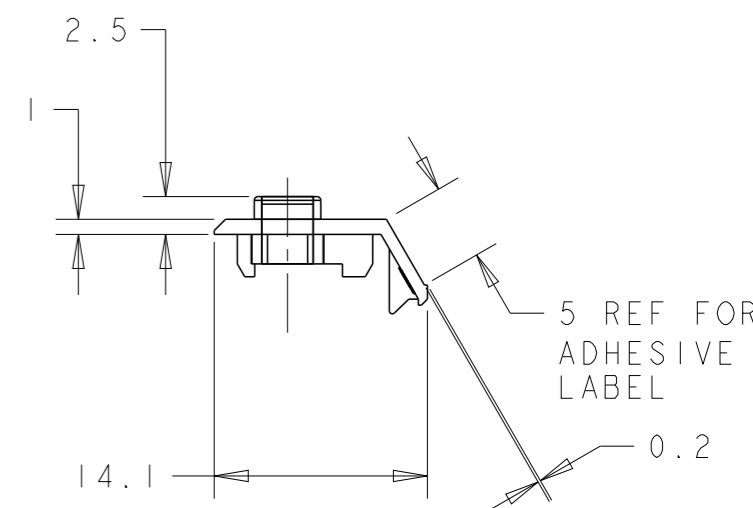
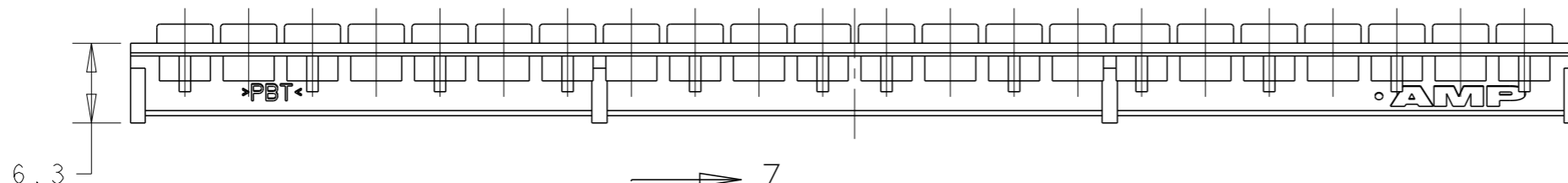
REVISIONS

© COPYRIGHT 20 BY - ALL RIGHTS RESERVED.

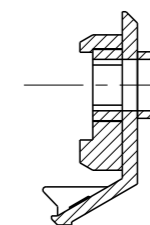
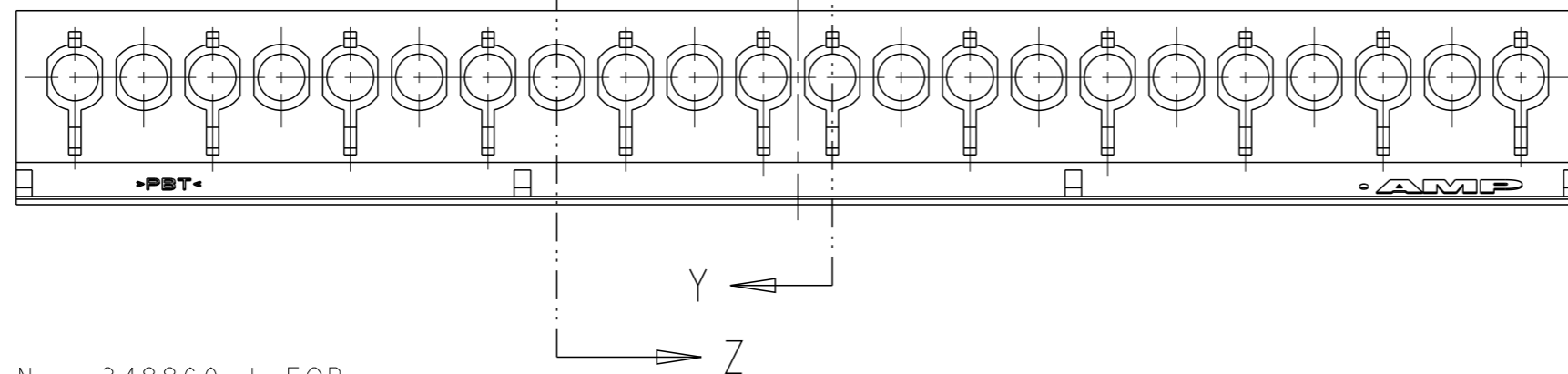
P	LTR	DESCRIPTION	DATE	DWN	APVD
	C	REVISED PER ECO-13-020288	01JAN2014	KH	MB



SCALE 1:1



SECTION Z-Z



SECTION Y-Y

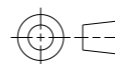
1. ORDER Pt.No. 348860-1 FOR USE WITH I/O CONNECTOR Pt.No. 348859-1

2. DESIGN OBJECTIVE SPECIFICATION 108-3369.

3 BLANKED IN 2-POSITIONS SHOWN

THIS DRAWING IS A CONTROLLED DOCUMENT.

DIMENSIONS: mm



MATERIAL SEE TABLE

TOLERANCES UNLESS OTHERWISE SPECIFIED:

0 PLC	±0.5
1 PLC	±0.5
2 PLC	±0.5
3 PLC	±0.5
4 PLC	±0.5
ANGLES	±2°
FINISH	-

DWN	A. J. BEKEN	14/09/99
CHK	F-W-K	14/09/99
APVD	F-W-K	14/09/06
PRODUCT SPEC	108-3369	
APPLICATION SPEC	114-3149	
WEIGHT	3.136g	

PBT	BLACK	348860-1
MATERIAL	FINISH	PART NUMBER
STE TE Connectivity		
NAME SCREWDRIVER GUIDE 22 POSITION		
SIZE	CAGE CODE	DRAWING NO
A3	00779	C-348860
Customer Drawing		RESTRICTED TO
SCALE 2:1		SHEET 1 OF 1
		REV C