

Buchanan

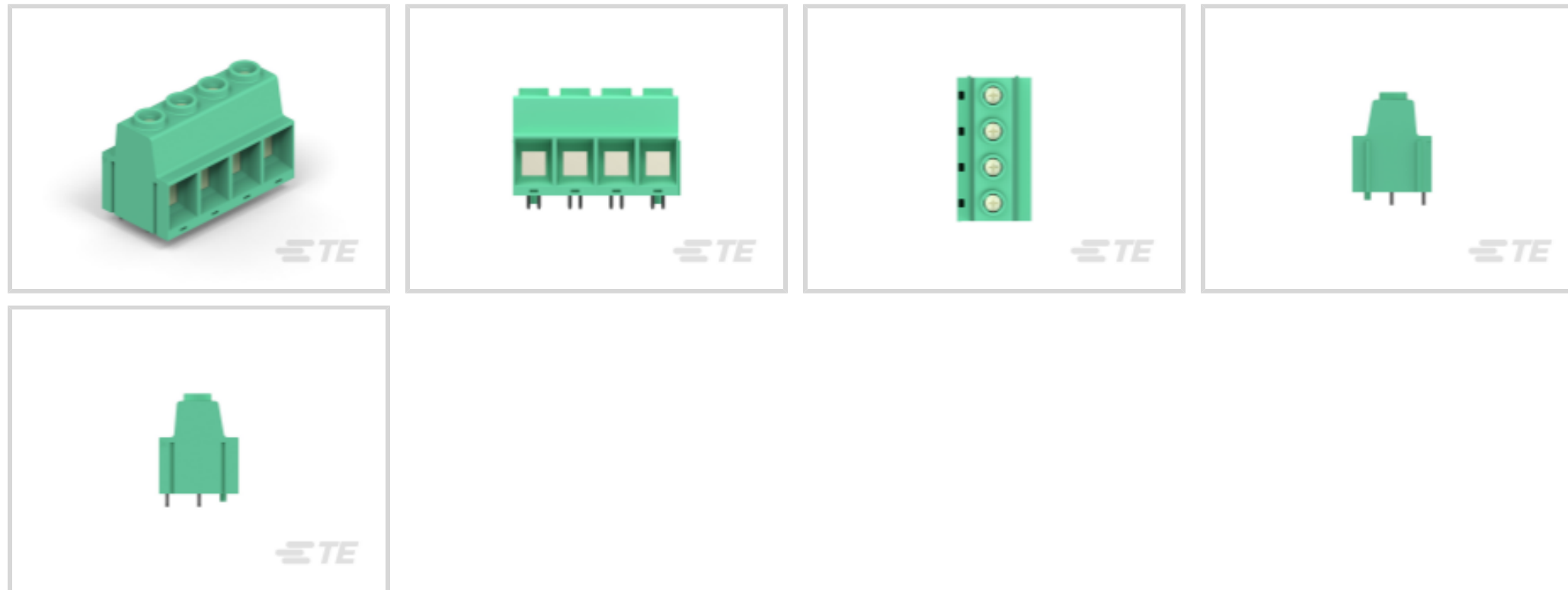
TE Part # 1986714-4

TE Internal #: 1986714-4

[View on TE.com >](#)



Connectors > Terminal Blocks & Strips > PCB Terminal Blocks



Connector Style: **Header**

Connector System: **Wire-to-Board**

Number of Positions: **4**

Centerline (Pitch): **15 mm [ .591 in ]**

Number of Rows: **2**

### Features

#### Product Type Features

|                                   |                       |
|-----------------------------------|-----------------------|
| Wire Protection                   | With                  |
| Block Type                        | Stacking w/interlock  |
| Header Type                       | Header Only           |
| Connector Style                   | Header                |
| Connector System                  | Wire-to-Board         |
| Connector & Contact Terminates To | Printed Circuit Board |

#### Configuration Features

|                        |                |
|------------------------|----------------|
| Stacking Configuration | Side Stackable |
| Number of Positions    | 4              |
| Number of Rows         | 2              |
| Wire Entry Angle       | Side           |

#### Electrical Characteristics

|                      |         |
|----------------------|---------|
| Current Rating (Max) | 130 A   |
| Voltage              | 600 VAC |

#### Body Features



|           |      |
|-----------|------|
| Interlock | With |
|-----------|------|

### Contact Features

|                                      |              |
|--------------------------------------|--------------|
| Contact Mating Area Plating Material | Tin          |
| Contact Mount                        | Through Hole |
| Contact Base Material                | Copper Alloy |
| Contact Current Rating (Max)         | 130 A        |

### Mechanical Attachment

|                          |             |
|--------------------------|-------------|
| Screwless Terminal Block | No          |
| Mounting Angle           | Straight    |
| Screw Size               | M5          |
| Screw Plating Material   | Nickel      |
| Screw Material           | Steel       |
| Screw Flange             | Without     |
| Locating Posts           | With        |
| Connector Mounting Type  | Board Mount |

### Housing Features

|                    |                |
|--------------------|----------------|
| Housing Color      | Green          |
| Housing Material   | PA 66          |
| Centerline (Pitch) | 15 mm[.591 in] |

### Dimensions

|                 |                         |
|-----------------|-------------------------|
| PCB Tail Length | 5 mm[.197 in]           |
| Wire Size       | .5 – 41 mm <sup>2</sup> |

### Usage Conditions

|                             |                            |
|-----------------------------|----------------------------|
| Operating Temperature Range | -40 – 110 °C[-40 – 230 °F] |
|-----------------------------|----------------------------|

### Operation/Application

|                     |                |
|---------------------|----------------|
| Circuit Application | Power & Signal |
|---------------------|----------------|

### Product Compliance

[For compliance documentation, visit the product page on TE.com>](#)

|   |                                      |
|---|--------------------------------------|
| EU RoHS Directive 2011/65/EU                  | Compliant                            |
| EU ELV Directive 2000/53/EC                   | Compliant                            |
| China RoHS 2 Directive MIIT Order No 32, 2016 | Restricted Materials Above Threshold |

EU REACH Regulation (EC) No. 1907/2006

Current ECHA Candidate List: JAN 2019  
(197)

Candidate List Declared Against: JAN 2019  
(197)

Halogen Content

Low Halogen - Br, Cl, F, I < 900 ppm per  
homogenous material. Also BFR/CFR/PVC  
Free

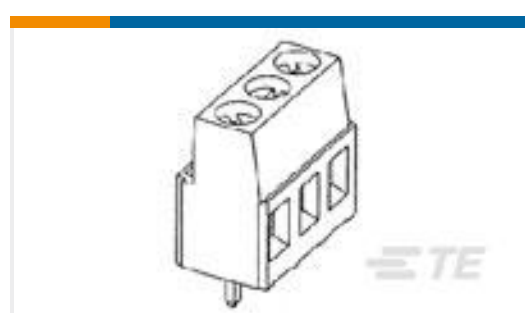
Solder Process Capability

Wave solder capable to 265°C

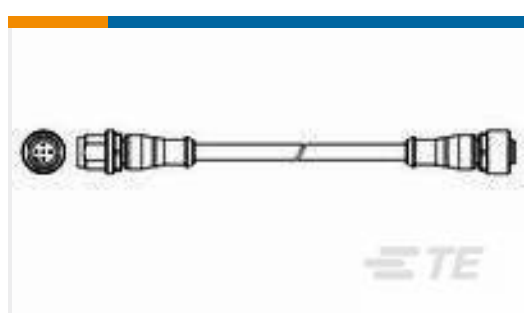
Product Compliance Disclaimer

This information is provided based on reasonable inquiry of our suppliers and represents our current actual knowledge based on the information they provided. This information is subject to change. The part numbers that TE has identified as EU RoHS compliant have a maximum concentration of 0.1% by weight in homogenous materials for lead, hexavalent chromium, mercury, PBB, PBDE, DBP, BBP, DEHP, DIBP, and 0.01% for cadmium, or qualify for an exemption to these limits as defined in the Annexes of Directive 2011/65/EU (RoHS2). Finished electrical and electronic equipment products will be CE marked as required by Directive 2011/65/EU. Components may not be CE marked. Additionally, the part numbers that TE has identified as EU ELV compliant have a maximum concentration of 0.1% by weight in homogenous materials for lead, hexavalent chromium, and mercury, and 0.01% for cadmium, or qualify for an exemption to these limits as defined in the Annexes of Directive 2000/53/EC (ELV). Regarding the REACH Regulations, TE's information on SVHC in articles for this part number is still based on the European Chemical Agency (ECHA) 'Guidance on requirements for substances in articles' (Version: 2, April 2011), applying the 0.1% weight on weight concentration threshold at the finished product level. TE is aware of the European Court of Justice ruling of September 10th, 2015 also known as O5A (Once An Article Always An Article) stating that, in case of 'complex object', the threshold for a SVHC must be applied to both the product as a whole and simultaneously to each of the articles forming part of its composition. TE has evaluated this ruling based on the new ECHA "Guidance on requirements for substances in articles" (June 2017, version 4.0) and will be updating its statements accordingly.

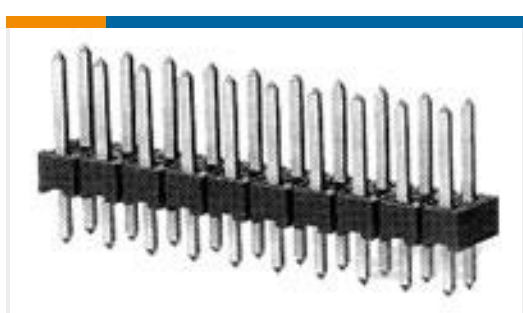
## Customers Also Bought



TE Part #1-282856-8  
18P TERMI-BLOK PCB  
MOUNT



TE Part #2273112-5  
M12 strgt plug to M12  
strgt socket AA



TE Part #5-146266-7  
14 MODII HDR DRST B/A  
100 W/HD



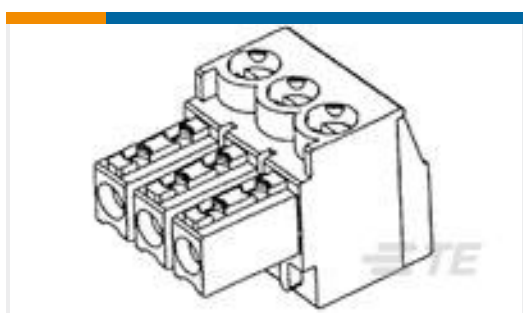
TE Part #6-1879501-0  
CRGH2512 5% 300R 2W



TE Part #5-1437664-2  
NC6-P108-17=NC6 SERIES  
TERMINA



TE Part #104355-5  
10 MODII HDR DRRA B/A  
W/HLDWN



TE Part #2-284506-4  
24 POS TERMI-BLOK  
PLUG STAC 3,



TE Part #63425-1  
MAG MATE 250F TAB #12  
TPBR.



TE Part #796694-7  
7 POS TERMI-BLOK HDR  
DIR. POL.



TE Part #1879520-3  
CRGH2010 1% 1K21 1W

## Documents

### Product Drawings

[PWR TB 2PIN 4P,15.00 PCB W/PEG](#)

English

### CAD Files

[3D PDF](#)

3D

Customer View Model

[ENG\\_CVM\\_CVM\\_1986714-4\\_B.2d\\_dxf.zip](#)

English

Customer View Model

[ENG\\_CVM\\_CVM\\_1986714-4\\_B.3d\\_igs.zip](#)

English

Customer View Model

[ENG\\_CVM\\_CVM\\_1986714-4\\_B.3d\\_stp.zip](#)

English