



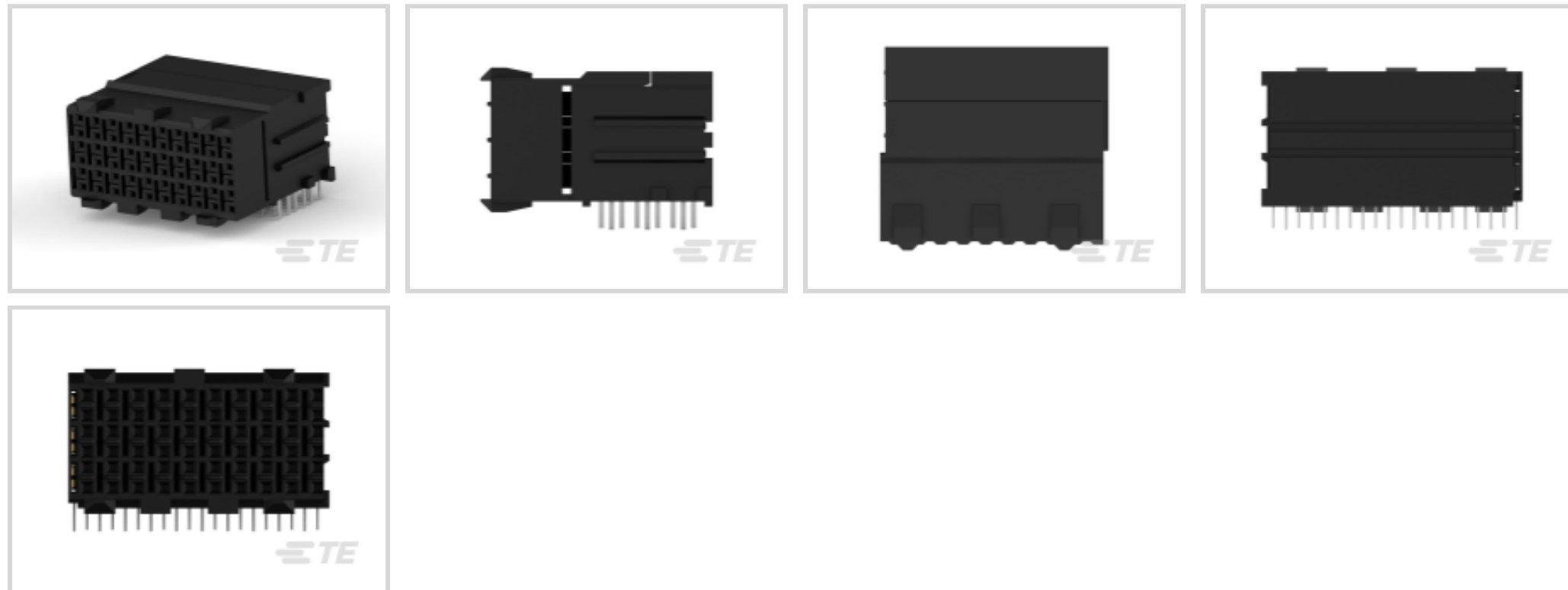
Z-PACK | Z-PACK HS3

TE Part # 5120786-1

TE Internal #: 5120786-1

[View on TE.com >](#)

Connectors > PCB Connectors > Backplane Connectors > High Speed Connectors



Connector System: **Board-to-Board**

Number of Positions: **60**

Row-to-Row Spacing: **2 mm [.078 in]**

Mating Alignment: **With**

Mating Alignment Type: **Polarization**

Features

Product Type Features

Make First / Break Last	No
Product Type	Connector
Module Type	Center
Connector System	Board-to-Board
Row-to-Row Spacing	2 mm[.078 in]
Connector Style	Receptacle
Shrouded	Unshrouded
Sealable	No
Connector & Contact Terminates To	Printed Circuit Board

Configuration Features

Preloaded	Yes
Stackable	No
Number of Positions	60
Number of Rows	6
Number of Columns	10



Board-to-Board Configuration	Right Angle
------------------------------	-------------

PCB Mount Orientation	Right Angle
-----------------------	-------------

Electrical Characteristics

Operating Voltage	250 VAC
-------------------	---------

Signal Characteristics

Number of Differential Pairs per Column	3
---	---

Body Features

Shield Material	Phosphor Bronze
-----------------	-----------------

Contact Features

Contact Type	Socket
--------------	--------

Contact Transmits (Typical)	Signal (Data)
-----------------------------	---------------

Contact Design	Dual Beam
----------------	-----------

Contact Mating Area Plating Material	Tin
--------------------------------------	-----

Contact Mating Area Plating Thickness	.5 μm [19.68 μin]
---------------------------------------	--

PCB Contact Termination Area Plating Material Finish	Matte
--	-------

Contact Underplating Material	Nickel
-------------------------------	--------

PCB Contact Termination Area Plating Material	Tin
---	-----

Contact Base Material	Copper Alloy
-----------------------	--------------

Contact Current Rating (Max)	1.15 A
------------------------------	--------

Termination Features

Termination Post Length	2.27 mm[.089 in]
-------------------------	------------------

Termination Method to Printed Circuit Board	Through Hole - Press-Fit
---	--------------------------

Mechanical Attachment

Mating Retention	Without
------------------	---------

Guide Hardware	Without
----------------	---------

PCB Mount Retention	With
---------------------	------

PCB Mount Retention Type	Action/Compliant Tail
--------------------------	-----------------------

Mating Alignment	With
------------------	------

Mating Alignment Type	Polarization
-----------------------	--------------

Connector Mounting Type	Board Mount
-------------------------	-------------

Housing Features

Housing Material	Polyester - GF
------------------	----------------



Housing Color	Black
---------------	-------

Centerline (Pitch)	2 mm[.079 in]
--------------------	---------------

Dimensions

Height	11.95 mm[.47 in]
--------	------------------

PCB Thickness (Recommended)	1.4 mm
-----------------------------	--------

Width	14.1 mm[.555 in]
-------	------------------

Tail Length	2.1 mm[.055 in][.083 in]
-------------	--------------------------

Length	25.48 mm[1.003 in]
--------	--------------------

PCB Hole Diameter	.05 mm[.002 in]
-------------------	-----------------

Usage Conditions

Operating Temperature Range	-65 – 105 °C[-85 – 221 °F]
-----------------------------	----------------------------

Operation/Application

For Use With	Receptacle Assembly
--------------	---------------------

Circuit Application	Signal
---------------------	--------

Industry Standards

UL Flammability Rating	UL 94V-0
------------------------	----------

Packaging Features

Packaging Method	Tube
------------------	------

Product Compliance

[For compliance documentation, visit the product page on TE.com>](#)

EU RoHS Directive 2011/65/EU	Compliant
------------------------------	-----------

EU ELV Directive 2000/53/EC	Compliant
-----------------------------	-----------

China RoHS 2 Directive MIIT Order No 32, 2016	No Restricted Materials Above Threshold
---	---

EU REACH Regulation (EC) No. 1907/2006	Current ECHA Candidate List: JAN 2019 (197) Candidate List Declared Against: JAN 2018 (181)
--	--

Halogen Content	Low Halogen - Br, Cl, F, I < 900 ppm per homogenous material. Also BFR/CFR/PVC Free
-----------------	---

Solder Process Capability	Not applicable for solder process capability
---------------------------	--

Product Compliance Disclaimer

This information is provided based on reasonable inquiry of our suppliers and represents our current actual knowledge based on the information they provided. This information is subject to change. The part numbers that TE has identified as EU RoHS compliant have a maximum concentration of 0.1% by weight in homogenous materials for lead, hexavalent chromium, mercury, PBB, PBDE, DBP, BBP, DEHP, DIBP, and 0.01% for cadmium, or qualify for an exemption to these limits as defined in the Annexes of Directive 2011/65/EU (RoHS2). Finished electrical and electronic equipment products will be CE marked as required by Directive 2011/65/EU. Components may not be CE marked. Additionally, the part numbers that TE has identified as EU ELV compliant have a maximum concentration of 0.1% by weight in homogenous materials for lead, hexavalent chromium, and mercury, and 0.01% for cadmium, or qualify for an exemption to these limits as defined in the Annexes of Directive 2000/53/EC (ELV). Regarding the REACH Regulations, TE's information on SVHC in articles for this part number is still based on the European Chemical Agency (ECHA) 'Guidance on requirements for substances in articles' (Version: 2, April 2011), applying the 0.1% weight on weight concentration threshold at the finished product level. TE is aware of the European Court of Justice ruling of September 10th, 2015 also known as O5A (Once An Article Always An Article) stating that, in case of 'complex object', the threshold for a SVHC must be applied to both the product as a whole and simultaneously to each of the articles forming part of its composition. TE has evaluated this ruling based on the new ECHA "Guidance on requirements for substances in articles" (June 2017, version 4.0) and will be updating its statements accordingly.

Compatible Parts



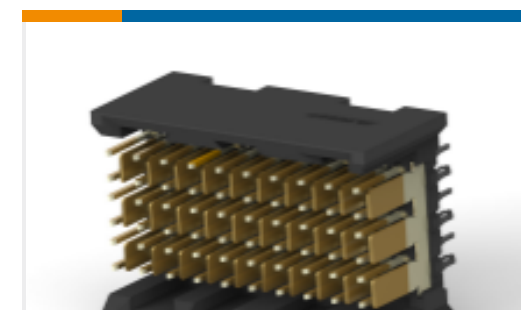
TE Part # 5120737-1
HS3 B/P HDR ASY 6R 60 P
LEV 1



TE Part # 5120758-1
Z-PACK HEADER ASSY 60P



TE Part # 5120674-2
Z-PACK HS3 HDR ASSY
60P



TE Part # 5120674-1
Z-PACK HS3 HDR ASSY 6R
60P



TE Part # 5120841-1
Z-PACK HS3 HDR ASSY
60P

Also in the Series | Z-PACK HS3



Header & Receptacle
Guide Hardware(1)



High Speed Backplane
Connectors(38)

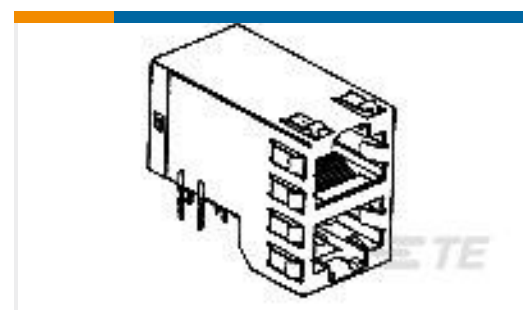


PCB Connector Shrouds(2)

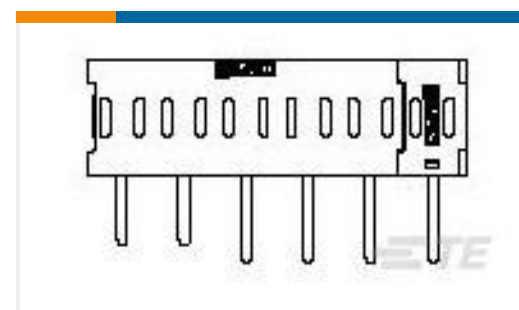
Customers Also Bought



TE Part #2149151-1
EMI/Dust Cover, CFP



TE Part #6368168-4
2X1 OFFSET MJ,LED(G/Y,
G/Y)12PN



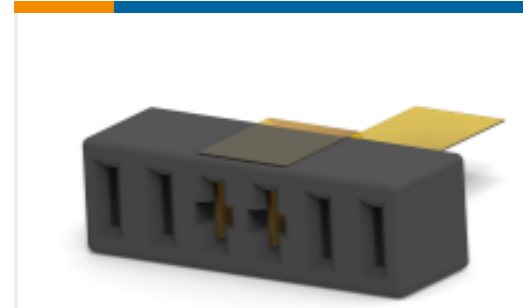
TE Part #6766496-1
CONNECTOR, PIN, RIGHT
ANGLE,SOLDER,FLAT



TE Part #2007198-2
SFP+ 1x1 Cage Assembly,
Press-Fit



TE Part #1888566-1
IMJ,1X1,PNL GRD,LED(YG
/YG), SN



TE Part #1926303-1
Cover Connector,
FLATPAQ



TE Part #5120788-1
ZP HS3 DB 06R REC 030P
RT PD



TE Part #5120789-1
ZP HS3 DB 06R REC 030P
LT PD



TE Part #5223963-1
UNV,PWR,MDL,HDR,SEQ



TE Part #5120790-1
ZP HS3 DB 10R REC 100P
CT PD

Documents

Product Drawings

[ZP HS3 DB 06R REC 060P CT PD](#)

English

CAD Files

[3D PDF](#)

English

Customer View Model

[ENG_CVM_5120786-1_O1.2d_dxf.zip](#)

English

Customer View Model

[ENG_CVM_5120786-1_O1.3d_stp.zip](#)

English

Customer View Model

[ENG_CVM_5120786-1_O1.3d_igs.zip](#)

English

Datasheets & Catalog Pages

[High Speed Backplane Connectors catalog - Z-PACK HS3 Connector](#)



English

Product Specifications

Application Specification

English

Product Environmental Compliance

TE Material Declaration

English