

Buchanan

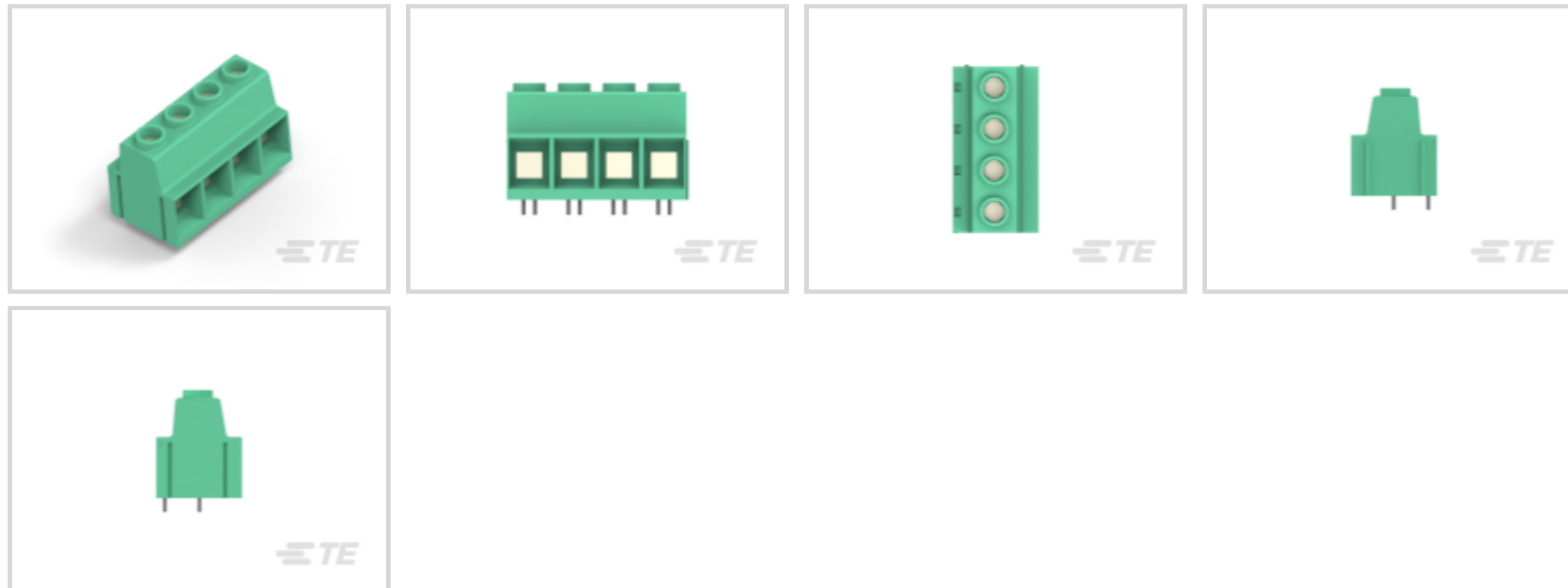
TE Part # 1-1986713-0

TE Internal #: 1-1986713-0

[View on TE.com >](#)



Connectors > Terminal Blocks & Strips > PCB Terminal Blocks



Connector Style: **Header**

Connector System: **Wire-to-Component**

Number of Positions: **10**

Centerline (Pitch): **15 mm [.591 in]**

Number of Rows: **2**

Features

Product Type Features

Wire Protection	With
Block Type	Stacking w/interlock
Header Type	Header Only
Connector Style	Header
Connector System	Wire-to-Component
Connector & Contact Terminates To	Printed Circuit Board

Configuration Features

Threaded Flange	Without
Stacking Configuration	Side Stackable
Number of Positions	10
Number of Rows	2
Wire Entry Angle	Side

Electrical Characteristics

Current Rating (Max)	130 A
Voltage	600 VAC



Body Features

Interlock	With
-----------	------

Contact Features

Contact Mating Area Plating Material	Tin
Contact Mount	Through Hole
Pin Length	5 mm[.197 in]
Contact Base Material	Copper Alloy
Contact Current Rating (Max)	130 A

Mechanical Attachment

Screwless Terminal Block	No
Mounting Angle	Straight
Screw Size	M5
Screw Plating Material	Nickel
Screw Material	Steel
Screw Flange	Without
Connector Mounting Type	Board Mount

Housing Features

Housing Color	Green
Housing Material	PA 66
Centerline (Pitch)	15 mm[.591 in]

Dimensions

PCB Tail Length	5 mm[.197 in]
Wire Size	.5 – 41 mm ²

Usage Conditions

Operating Temperature Range	-40 – 110 °C[-40 – 230 °F]
-----------------------------	----------------------------

Operation/Application

Circuit Application	Power & Signal
---------------------	----------------

Packaging Features

Packaging Method	Carton
Packaging Quantity	5

Product Compliance

[For compliance documentation, visit the product page on TE.com>](#)

EU RoHS Directive 2011/65/EU	Compliant
EU ELV Directive 2000/53/EC	Compliant
China RoHS 2 Directive MIIT Order No 32, 2016	Restricted Materials Above Threshold
EU REACH Regulation (EC) No. 1907/2006	Current ECHA Candidate List: JAN 2019 (197) Candidate List Declared Against: JAN 2019 (197)
Halogen Content	Low Halogen - Br, Cl, F, I < 900 ppm per homogenous material. Also BFR/CFR/PVC Free
Solder Process Capability	Wave solder capable to 265°C

Product Compliance Disclaimer

This information is provided based on reasonable inquiry of our suppliers and represents our current actual knowledge based on the information they provided. This information is subject to change. The part numbers that TE has identified as EU RoHS compliant have a maximum concentration of 0.1% by weight in homogenous materials for lead, hexavalent chromium, mercury, PBB, PBDE, DBP, BBP, DEHP, DIBP, and 0.01% for cadmium, or qualify for an exemption to these limits as defined in the Annexes of Directive 2011/65/EU (RoHS2). Finished electrical and electronic equipment products will be CE marked as required by Directive 2011/65/EU. Components may not be CE marked. Additionally, the part numbers that TE has identified as EU ELV compliant have a maximum concentration of 0.1% by weight in homogenous materials for lead, hexavalent chromium, and mercury, and 0.01% for cadmium, or qualify for an exemption to these limits as defined in the Annexes of Directive 2000/53/EC (ELV). Regarding the REACH Regulations, TE's information on SVHC in articles for this part number is still based on the European Chemical Agency (ECHA) 'Guidance on requirements for substances in articles' (Version: 2, April 2011), applying the 0.1% weight on weight concentration threshold at the finished product level. TE is aware of the European Court of Justice ruling of September 10th, 2015 also known as O5A (Once An Article Always An Article) stating that, in case of 'complex object', the threshold for a SVHC must be applied to both the product as a whole and simultaneously to each of the articles forming part of its composition. TE has evaluated this ruling based on the new ECHA "Guidance on requirements for substances in articles" (June 2017, version 4.0) and will be updating its statements accordingly.

Customers Also Bought

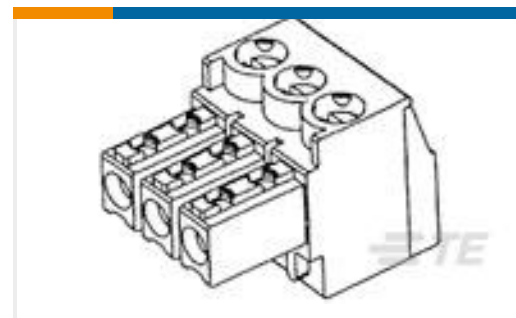
 <p>TE Part #1-282856-8 18P TERMI-BLOK PCB MOUNT</p>	 <p>TE Part #2273112-5 M12 strgt plug to M12 strgt socket AA</p>	 <p>TE Part #5-146266-7 14 MODII HDR DRST B/A 100 W/HD</p>	 <p>TE Part #6-1879501-0 CRGH2512 5% 300R 2W</p>
---	--	---	---



TE Part #5-1437664-2
NC6-P108-17=NC6 SERIES
TERMINA



TE Part #104355-5
10 MODII HDR DRRA B/A
W/HLDWN



TE Part #2-284506-4
24 POS TERMI-BLOK
PLUG STAC 3,



TE Part #63425-1
MAG MATE 250F TAB #12
TPBR.



TE Part #796694-7
7 POS TERMI-BLOK HDR
DIR. POL.



TE Part #1879520-3
CRGH2010 1% 1K21 1W

Documents

Product Drawings

[PWR TB DBL PIN 10P, 15.00 PCB](#)

English

CAD Files

[3D PDF](#)

3D

Customer View Model

[ENG_CVM_CVM_1-1986713-0_B.2d_dxf.zip](#)

English

Customer View Model

[ENG_CVM_CVM_1-1986713-0_B.3d_igs.zip](#)

English

Customer View Model

[ENG_CVM_CVM_1-1986713-0_B.3d_stp.zip](#)

English