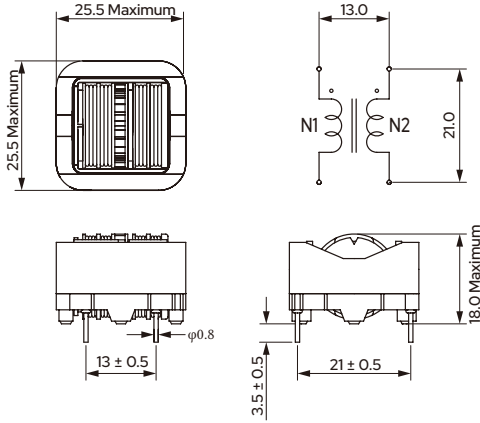


# SSRH24NH-12655

Aliases (UALS24H1265500)

Common Mode Chokes - Power, KEMET, SSRH24NV/NH, Through-Hole Bobbin, Common Mode, 0.0655 H



Click [here](#) for the 3D model.

## General Information

Series	SSRH24NV/NH
Style	Through-Hole Bobbin
Features	Compact Size, Light Weight, Low Rdc, Ultra-High Impedance
RoHS	Yes
Miscellaneous	65 (K) Temperature Rise Max.
Core	Mn-Zn Ferrite

Dimensions	
L	25.5mm MAX
T	25.5mm MAX
H	18mm MAX
LL	3.5mm +/-0.5mm
S	13mm NOM
S1	21mm NOM
Wire Size	0.4mm
F	0.8mm NOM

Specifications	
Voltage AC	250 VAC
Inductance	65.5 mH
Rated Current	1.2 A
Temperature Range	-40/+120°C
DC Resistance	0.475 Ohms

Packaging Specifications	
Packaging	Tray
Packaging Quantity	300
Typical Component Weight	22.5 g

Statements of suitability for certain applications are based on our knowledge of typical operating conditions for such applications, but are not intended to constitute - and we specifically disclaim - any warranty concerning suitability for a specific customer application or use. This Information is intended for use only by customers who have the requisite experience and capability to determine the correct products for their application. Any technical advice inferred from this Information or otherwise provided by us with reference to the use of our products is given gratis, and we assume no obligation or liability for the advice given or results obtained.