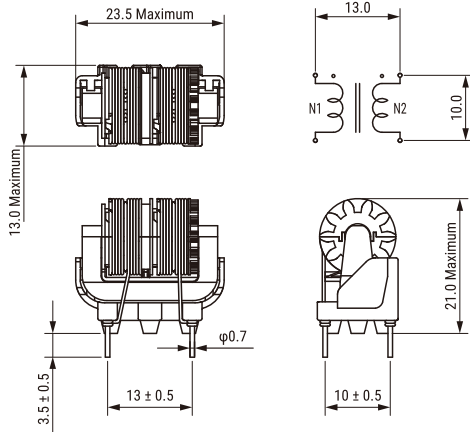


## SSR10V-08220

Aliases (UALR10V0822000)

Common Mode Chokes - Power, KEMET, SSR10V/H, Through-Hole Bobbin



Click [here](#) for the 3D model.

### General Information

|               |   |
|---------------|---|
| Series        | SSR10V/H  |
| Style         | Through-Hole Bobbin   |
| Features      | Small Standard Common Mode, High Permeability, Compact Size, Low Profile, Light Weight, High Impedance, Strong Inductance |
| RoHS          | Yes   |
| Miscellaneous | 55 (K) Temperature Rise Max.  |
| Core          | Mn-Zn Ferrite   |

### Dimensions

|           |                |
|-----------|----------------|
| L         | 23.5mm MAX     |
| T         | 13mm MAX       |
| H         | 21mm MAX       |
| LL        | 3.5mm +/-0.5mm |
| S         | 13mm +/-0.5mm  |
| S1        | 10mm +/-0.5mm  |
| Wire Size | 0.3mm          |
| F         | 0.7mm NOM      |

### Packaging Specifications

|                          |      |
|--------------------------|------|
| Packaging                | Tray |
| Packaging Quantity       | 600  |
| Typical Component Weight | 9 g  |

### Specifications

|                   |            |
|-------------------|------------|
| Voltage AC        | 250 VAC    |
| Inductance        | 22 mH      |
| Rated Current     | 800 mA     |
| Temperature Range | -40/+120°C |
| DC Resistance     | 0.65 Ohms  |

Statements of suitability for certain applications are based on our knowledge of typical operating conditions for such applications, but are not intended to constitute - and we specifically disclaim - any warranty concerning suitability for a specific customer application or use. This Information is intended for use only by customers who have the requisite experience and capability to determine the correct products for their application. Any technical advice inferred from this Information or otherwise provided by us with reference to the use of our products is given gratis, and we assume no obligation or liability for the advice given or results obtained.