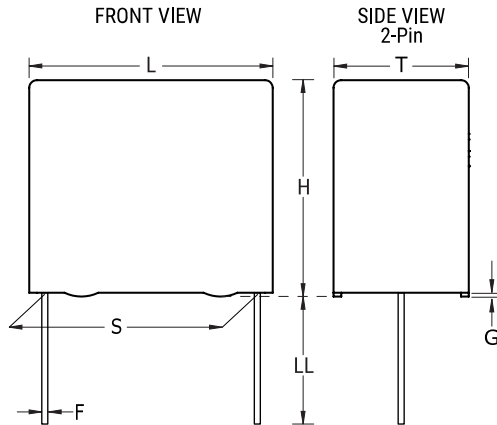


SMR27.5105K400F12L4TRAY

Aliases (F211FG105K400C)

Obsolete

SMR/F211, Film, Metallized PPS, General Purpose, 1 uF, 10%, 400 VDC, 125°C, 27.5 mm



Click [here](#) for the 3D model.

General Information

Series	SMR/F211
Dielectric	Metallized PPS
Style	Radial
Features	Audio Applications
RoHS	Yes
Termination	Tinned Wire
Lead	Wire Leads
Typical Component Weight	9.1 g
Miscellaneous	The rated voltage decreases 2%/C between +125C and +150C.
Notes	Case Size = FG.

Dimensions

L	31.5mm -0.7mm
H	22.5mm -0.7mm
T	11.5mm -0.7mm
S	27.5mm +/-0.4mm
LL	4mm +1mm
F	0.8mm +/-0.05mm
G	0.5mm NOM

Packaging Specifications

Packaging	Tray
Packaging Quantity	198

Specifications

Capacitance	1 uF
Tolerance	10%
Voltage DC	400 VDC
Voltage AC	200 VAC
Temperature Range	-55/+150°C
Rated Temperature	125°C
Dissipation Factor	0.15% 1kHz, 0.25% 10kHz
Insulation Resistance	10 GOhms
Max dV/dt	8 V/us

Statements of suitability for certain applications are based on our knowledge of typical operating conditions for such applications, but are not intended to constitute - and we specifically disclaim - any warranty concerning suitability for a specific customer application or use. This Information is intended for use only by customers who have the requisite experience and capability to determine the correct products for their application. Any technical advice inferred from this Information or otherwise provided by us with reference to the use of our products is given gratis, and we assume no obligation or liability for the advice given or results obtained.