

groov EPIC POWER SUPPLIES, CONVERTERS, AND ADAPTERS

Features

- > Built-in fuse and ON/OFF power switch
- > Designed to integrate tightly with *groov* EPIC® processor and chassis
- > Wide input voltage ranges
- > UL Hazardous Locations approved and ATEX compliant

DESCRIPTION

groov EPIC power supplies, converters, and adapters provide AC or DC options to power your Opto 22 *groov* EPIC system. Packaged in a modern and sturdy housing, *groov* EPIC power supplies include a built-in fuse and an ON/OFF power switch for ease of use.

The **GRV-EPIC-PSAC** power supply and the **GRV-EPIC-PSDC** voltage converter are designed to provide power for a *groov* EPIC chassis with a GRV-EPIC-PR1 processor, and *groov*® I/O modules mounted on the chassis. The combination of a chassis, processor, and modules is called an *I/O unit*.

The **GRV-EPIC-PSPT** pass-through power adapter is designed to allow you to connect a user-supplied, external 12 V power supply to the *I/O unit*.

All *groov* power supplies, voltage converters, and adapters are UL/cUL listed and compliant with the ATEX, Low Voltage, and EMC CE directives.



GRV-EPIC-PSAC power supply



GRV-EPIC-PSDC power supply

groov
EPIC

Part Numbers

Part	Description
GRV-EPIC-PSAC	Power supply, 110–240 VAC
GRV-EPIC-PSDC	Power converter, 24–48 VDC
GRV-EPIC-PSPT	Pass-through power adapter, 11.4–12.6 VDC, up to 9 A

SPECIFICATION

Specification	GRV-EPIC-PSAC	GRV-EPIC-PSDC	GRV-EPIC-PSPT
Rated Power (70 °C)	60 W	50 W	108 W from external 12 VDC supply
Input Voltage Range	110 to 240 VAC nominal, 100 to 264 VAC max.	24 to 48 VDC nominal, 22 to 50 VDC max.	11.4 to 12.6 VDC
Typical Input Current (rated load)	0.6 A at 115 VAC	3.5 A at 22 VDC	9 A
Inrush Current	30 A at 115 VAC	2.5 I ² t (A ² s)	2.5 I ² t (A ² s)
Input Frequency Range	50 Hz to 60 Hz	n/a	n/a
Power Factor	>0.98 at 115 VAC, full load	n/a	n/a
Wire Size	28–12 AWG	28–12 AWG	28–12 AWG
Torque (connector screw)	4.4 in-lb	4.4 in-lb	4.4 in-lb
Fuse	2 A 250 V Slow	4 A 250 V Slow	10 A 125 V Fast
Operating Ambient Temperature	-20 °C to 70 °C	-20 °C to 70 °C	-20 °C to 70 °C
Altitude Temperature Derating	5 °C per 1000 m over 2000 m	5 °C per 1000 m over 2000 m	n/a
MTTF (minimum, 25 °C)	650 khrs	4.5 Mhrs	4.5 Mhrs
Agency Approvals	UL/cUL (Class 1 Div. 2), CE, ATEX (Category 3, Zone 2), RoHS, DFARS	UL/cUL (Class 1 Div. 2), CE, ATEX (Category 3, Zone 2), RoHS, DFARS	UL/cUL (Class 1 Div. 2), CE, ATEX (Category 3, Zone 2), RoHS, DFARS
Warranty	30 months	30 months	30 months

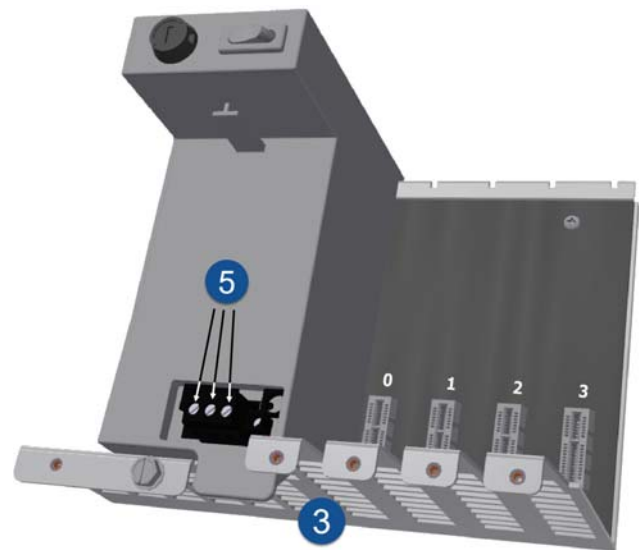
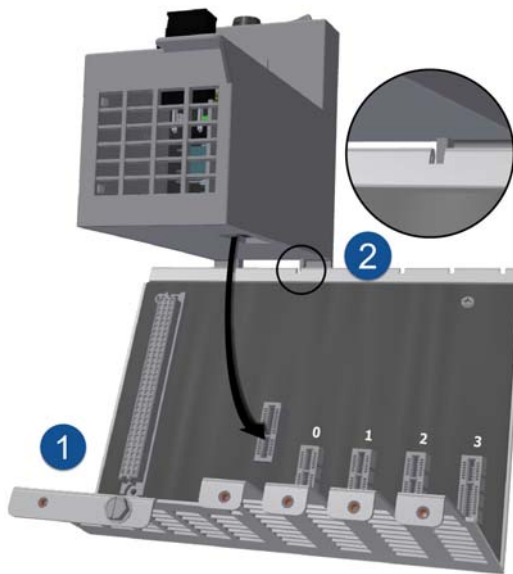
MOUNTING

In the following instructions, the *groov* EPIC power supply, adapter, or converter is referred to as “power supply”.

1. Orient the *groov* EPIC chassis so that the module connector numbers are right-side up, with zero on the left, as shown in the diagram below.
2. Hold the power supply at a 45° angle, with the tabs at the back of the supply aligned with the notches on the chassis.
3. Lower the front-end of the supply onto the chassis until you feel the plug snap into the slot.
4. Following the wiring guidelines in “Power Supply Guidelines and Wiring” on page 4 to connect the power source to the power wiring connector of the *groov* EPIC power supply.

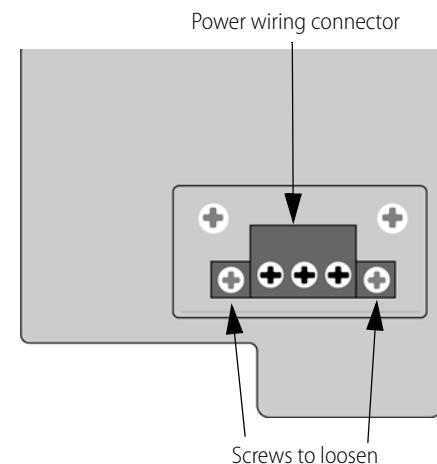
Note: To make it easier to connect the power supply wires, you can remove the power wiring connector from the power supply by loosening the screws on either side of the connector. See diagram at the bottom of the page.

5. Secure the connections by tightening the screws on the power wiring connector.



REMOVING THE POWER SUPPLY, CONVERTER, OR ADAPTER

1. Turn off the power switch.
2. Remove the processor according to the instructions in the *groov* EPIC Processor Data Sheet (form 2245). Do not attempt to remove the processor and the power supply as a single unit.
3. Loosen the screws of the power wiring connector (as shown in the diagram on the right) and remove the connector from the power supply.
4. Hold the top of the power supply with one hand, then using the thumb of your other hand, lift the front of the power supply by the lip.
5. Pivot the lip up to disconnect the power supply from the chassis.
6. Remove the power supply from the chassis by lifting it up and off the top of the chassis.



POWER SUPPLY GUIDELINES AND WIRING

Always use a separate field supply

Use a separate power supply for the field side of the I/O. Using the chassis supply for field actuation and monitoring defeats the isolation the I/O modules offer and therefore increases the chance of a ground loop within the control system. Additionally, fluctuations on the field side can cause undesirable voltage fluctuations that may interfere with the processor's operation.

Some modules (for example, the GRV-OVMALC-8) provide their own isolated, regulated, field-side power supply.

Power wiring guidelines

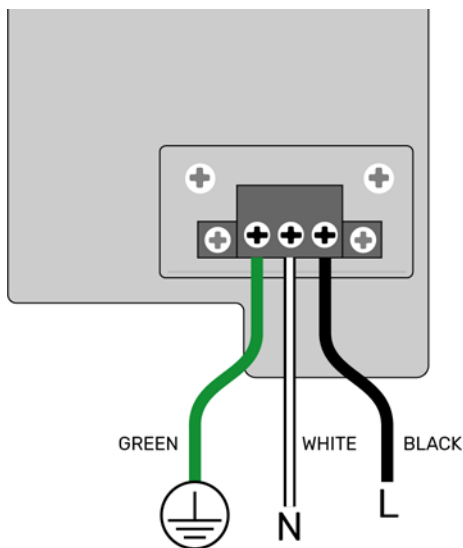
Opto 22 recommends you follow these wiring guidelines:

- Use a mains-isolated 24 to 48 VDC power source or supply to feed the GRV-EPIC-PSDC.
- Use the appropriate gage wire:
 - For GRV-EPIC-PSDC or GRV-EPIC-PSPT with DC input, use 16 to 12 AWG. Keep the wires as short as possible.
 - For GRV-EPIC-PSAC, use 18 to 12 AWG . Keep the wires as short as possible.

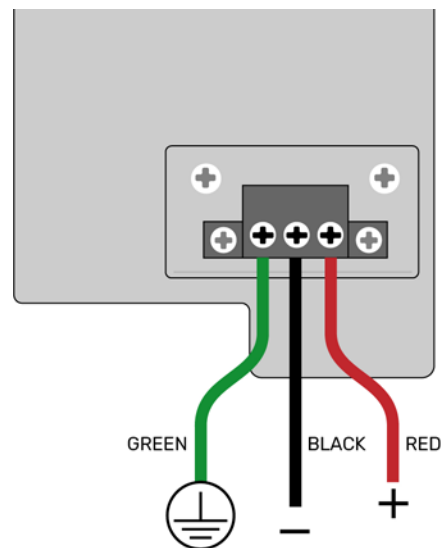
Power Wiring Diagrams

Before wiring the GRV-EPIC-PSAC, GRV-EPIC-PSDC or GRV-EPIC-PSPT, verify that your wiring cables conform to the requirements described above.

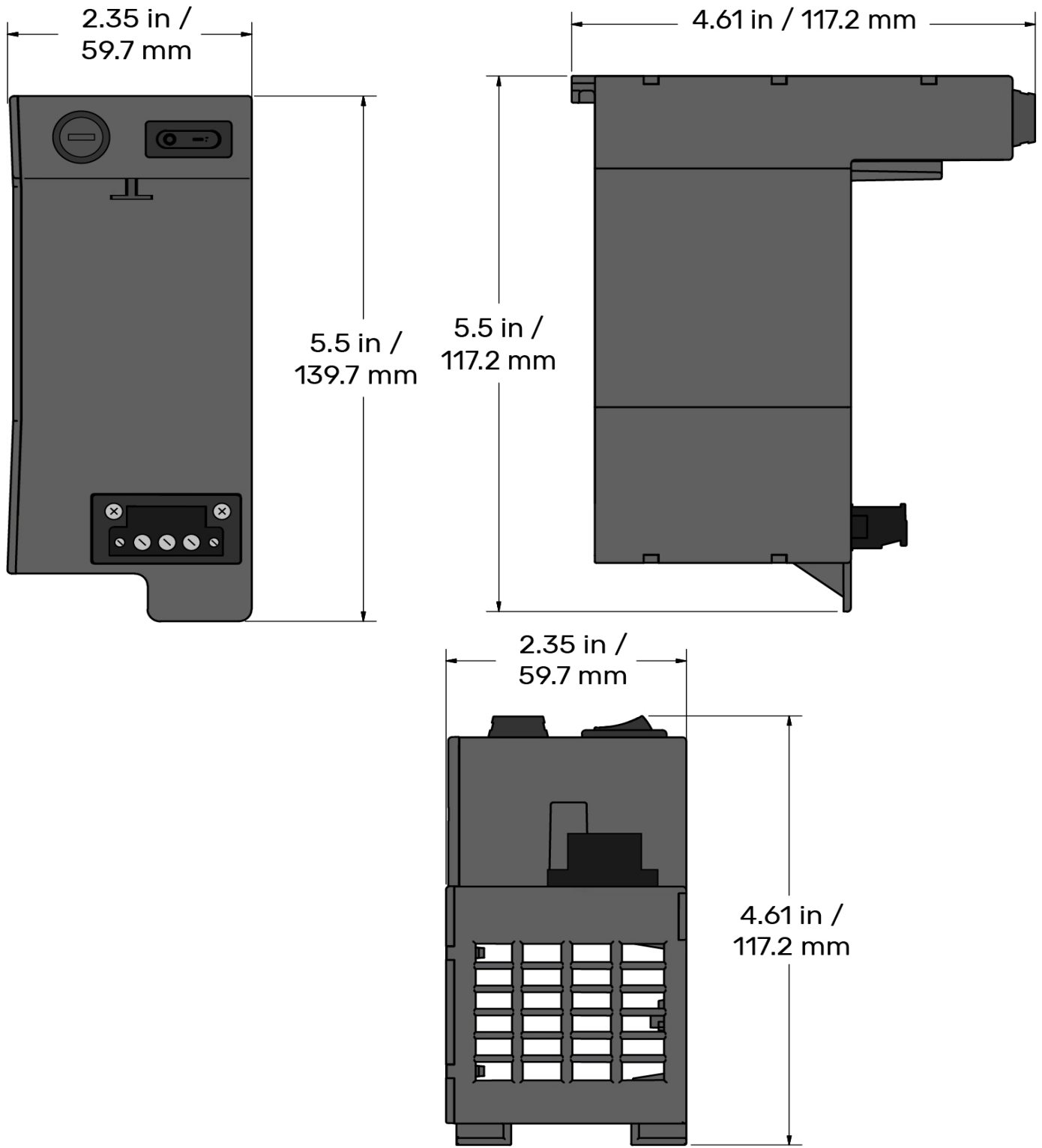
GRV-EPIC-PSAC



GRV-EPIC-PSDC, GRV-EPIC-PSPT



DIMENSIONS: GRV-EPIC-PSAC, GRV-EPIC-PSDC, AND GRV-EPIC-PSPT



CALCULATING POWER REQUIREMENTS

The GRV-EPIC-PSAC power supply is limited to 60 W and the GRV-EPIC-PSDC power converter is limited to 50 W. To verify that you do not exceed these ratings, particularly when you are installing GRV-OVMALC-8 modules, fill out this worksheet (one per chassis) to calculate how much power your unit will require with the modules you selected.

Item	Quantity	x Power Req (W)	Total Power Req (W)
groov EPIC PR1 processor (GRV-EPIC-PR1)		7.1	
GRV-IAC-24 analog input module		1.0	
GRV-IACDCTTL-24 analog input module		1.0	
GRV-IACDCTTLS-24 analog input module		1.0	
GRV-IACHV-24 analog input module		1.0	
GRV-IACHVS-24 analog input module		1.0	
GRV-IACI-12 analog input module		1.0	
GRV-IACIHV-12 analog input module		1.0	
GRV-IACIHVS-12 analog input module		1.0	
GRV-IACIS-12 analog input module		1.0	
GRV-IACS-24 analog input module		1.0	
GRV-IDC-24 DC input module		1.2	
GRV-IDCI-12 DC input module		1.2	
GRV-IDCIS-12 DC input module		1.2	
GRV-IDCS-24 DC input module		1.2	
GRV-IMA-24 analog input module		1.0	
GRV-ITMI-8 analog input module		1.4	
GRV-IV-24 analog input module		1.0	
GRV-OAC-12 analog output module		1.3	
GRV-OACI-12 analog output module		1.3	
GRV-OACIS-12 analog output module		1.3	
GRV-OACS-12 analog output module		1.3	
GRV-ODCI-12 DC output module		1.2	
GRV-ODCIS-12 DC output module		1.2	
GRV-ODCSRC-24 DC output module		1.2	
GRV-OMRIS-8 analog output module		1.4	
GRV-OVMALC-8 analog output module (all voltage outputs)		1.8	
GRV-OVMALC-8 analog output module (all current outputs)		3.6	
Total			

PRODUCTS

Opto 22 develops and manufactures reliable, easy-to-use, open standards-based hardware and software products.

Industrial automation, process control, building automation, industrial refrigeration, remote monitoring, data acquisition, and industrial internet of things (IIoT) applications worldwide all rely on Opto 22.

groov EPIC® System

Opto 22's *groov* Edge Programmable Industrial Controller (EPIC) system is the culmination of over 40 years of experience in designing products for the automation industry.

groov EPIC gives you an industrially hardened system with guaranteed-for-life I/O, a flexible Linux®-based controller with gateway functions, and software for your IIoT application or any application.

groov EPIC I/O

I/O provides the local connection to sensors and equipment. *groov* I/O offers up to 24 channels on each I/O module, with a spring-clamp terminal strip, integrated wireway, and swing-away cover.

Opto 22 I/O is so reliable, we can afford to guarantee it for life. *groov* I/O is hot swappable, UL Hazardous Locations approved, and ATEX compliant.

groov EPIC Controller

The heart of the system is the *groov* EPIC controller. It handles a wide range of digital, analog, and serial functions for data collection, remote monitoring, process control, and discrete and hybrid manufacturing.

In addition, the EPIC provides secure data communications among physical assets, control systems, software applications, online services, and more, both on premises and in the cloud.

Configuring and troubleshooting I/O and networking is easier with the EPIC's integrated high-resolution touchscreen. Authorized users can see your *groov* View HMI locally on the touchscreen or on a monitor connected via the HDMI or USB ports.

groov EPIC Software

Software includes:

- Flowchart-based PAC Control for control programming, or build your own custom application with optional secure shell access
- *groov* View for building and viewing your own device-independent HMI
- Node-RED for creating simple logic flows from pre-built nodes

- Ignition Edge® from Inductive Automation®, with OPC-UA drivers to Allen-Bradley®, Siemens®, and other control systems, and MQTT/Sparkplug communications for efficient IIoT data transfer

groov Edge Appliance

Visualization, data handling, and connectivity in a compact, industrial box: that's the *groov* Edge Appliance. Included are:

- *groov* View for building and viewing operator interfaces on PCs and mobile
- Node-RED for building simple logic flows
- Ignition Edge® from Inductive Automation®, for OPC-UA drivers and MQTT/Sparkplug IIoT communications



Older products

From solid state relays (our first products) to world-famous G4 and SNAP I/O, to SNAP PAC controllers, Opto 22 products last a long time. You can count on us to give you the reliability and service you expect.



QUALITY

Founded in 1974, Opto 22 has established a worldwide reputation for high-quality products. All are made in the U.S.A. at our manufacturing facility in Temecula, California.

Because we test each product twice before it leaves our factory rather than testing a sample of each batch, we can guarantee most solid-state relays and optically isolated I/O modules for life.

FREE PRODUCT SUPPORT

Opto 22's California-based Product Support Group offers free, comprehensive technical support for Opto 22 products from engineers with decades of training and experience. Support is available in English and Spanish by phone or email, Monday–Friday, 7 a.m. to 5 p.m. PST.

Support is always available on our website, including how-to videos, user's guides, the Opto 22 KnowledgeBase, troubleshooting tips, and OptoForums. In addition, free hands-on training is available at our Temecula, California headquarters, and you can [register online](#).

PURCHASING OPTO 22 PRODUCTS

Opto 22 products are sold directly and through a worldwide network of distributors, partners, and system integrators. For more information, contact Opto 22 headquarters at **800-321-6786** (toll-free in the U.S. and Canada) or **+1-951-695-3000**, or visit our website at www.opto22.com.