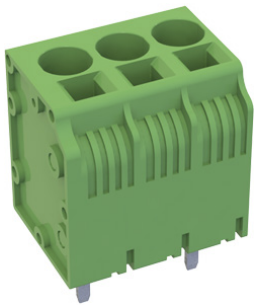


Push-In Spring Type PCB Terminal Blocks

multicomp PRO

**RoHS
Compliant**



Specifications

No. of Poles	: 2 ~ 12 Pole
Pitch Spacing	: 7.5mm
Wire Connection Method	: Push-In Spring
Block Orientation	: Through Hole Vertical
PCB Hole Diameter	: 2.1mm
Colour	: Green

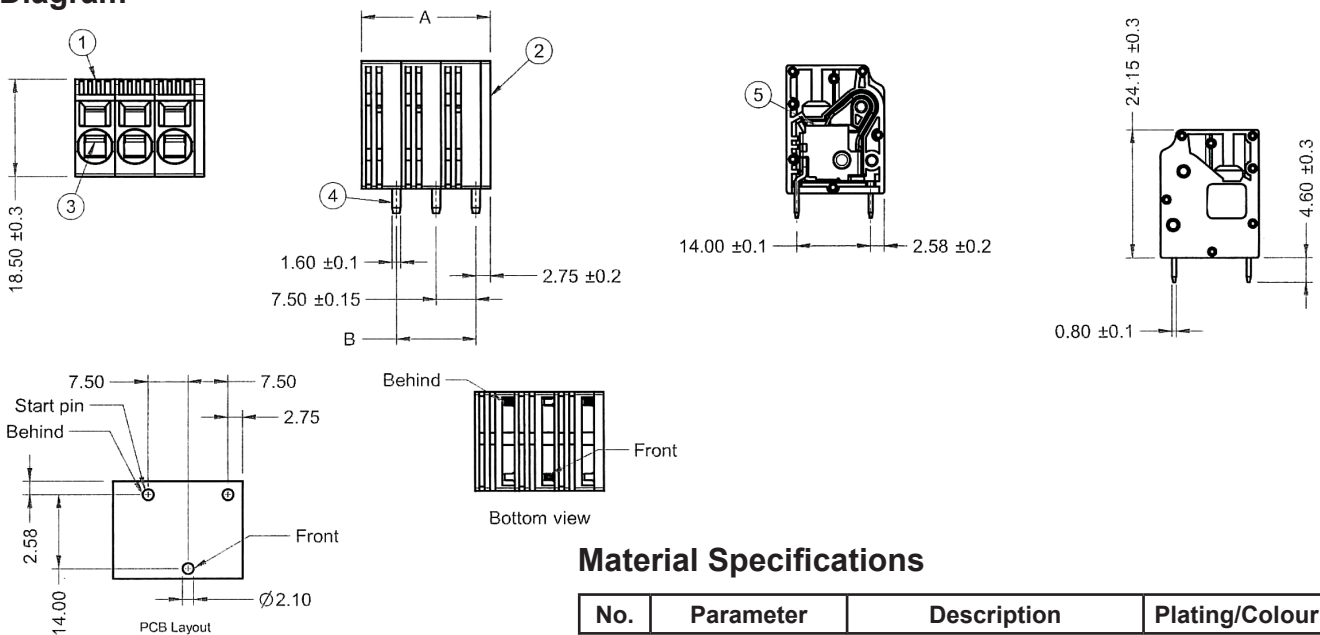
In accordance to UL/CUL

Current Rating	: 36A @ AC 600V
Insulation Withstand Voltage	: AC 2200V Min.
Insulation Resistance	: >2000MΩ @ DC 500V
Wire Range	: 8 ~ 24AWG

In accordance to IEC/DIN VDE

Voltage Rating	: 1000V AC, 1000V DC Max.
Current Rating	: 41A
Rated Surge Voltage Max.	: 8kV
Over Voltage Category	: III
Nominal Cross Section	: 0.2 ~ 6mm ²
Operating Temperature	: -40°C to + 105°C
Wire Strip Length	: 15mm

Diagram



Material Specifications

No.	Parameter	Description	Plating/Colour
1	Insulating Body	Polyamide 6.6 (UL94V-0)	Green
2	Side Cover	Polyamide 6.6 (UL94V-0)	Green
3	Spring	Stainless Steel	
4	Contact	Copper	Tin
5	Metal Frame	Steel	Zinc

Dimensions : Millimetres

Newark.com/multicomp-pro
Farnell.com/multicomp-pro
Element14.com/multicomp-pro

multicomp PRO

Push-In Spring Type PCB Terminal Blocks

Part Number Table

Description	"A" mm	"B" mm	Part Number
PCB Terminal Block, Push-In Spring, 2Pole, 8-24AWG, THT, Green	16.8 ±0.15	7.5 ±0.15	MC004188
PCB Terminal Block, Push-In Spring, 3Pole, 8-24AWG, THT, Green	24.3 ±0.2	15 ±0.15	MC004189
PCB Terminal Block, Push-In Spring, 4Pole, 8-24AWG, THT, Green	31.8 ±0.2	22.5 ±0.2	MC004190
PCB Terminal Block, Push-In Spring, 5Pole, 8-24AWG, THT, Green	39.3 ±0.2	30 ±0.2	MC004191
PCB Terminal Block, Push-In Spring, 6Pole, 8-24AWG, THT, Green	46.8 ±0.2	37.5 ±0.2	MC004192
PCB Terminal Block, Push-In Spring, 7Pole, 8-24AWG, THT, Green	54.3 ±0.25	45 ±0.2	MC004193
PCB Terminal Block, Push-In Spring, 8Pole, 8-24AWG, THT, Green	61.8 ±0.25	52.5 ±0.25	MC004194
PCB Terminal Block, Push-In Spring, 9Pole, 8-24AWG, THT, Green	69.3 ±0.25	60 ±0.25	MC004195
PCB Terminal Block, Push-In Spring, 10Pole, 8-24AWG, THT, Green	76.8 ±0.25	67.5 ±0.25	MC004196
PCB Terminal Block, Push-In Spring, 11Pole, 8-24AWG, THT, Green	84.3 ±0.4	75 ±0.25	MC004197
PCB Terminal Block, Push-In Spring, 12Pole, 8-24AWG, THT, Green	91.8 ±0.4	82.5 ±0.4	MC004198

Important Notice : This data sheet and its contents (the "Information") belong to the members of the AVNET group of companies (the "Group") or are licensed to it. No licence is granted for the use of it other than for information purposes in connection with the products to which it relates. No licence of any intellectual property rights is granted. The Information is subject to change without notice and replaces all data sheets previously supplied. The Information supplied is believed to be accurate but the Group assumes no responsibility for its accuracy or completeness, any error in or omission from it or for any use made of it. Users of this data sheet should check for themselves the Information and the suitability of the products for their purpose and not make any assumptions based on information included or omitted. Liability for loss or damage resulting from any reliance on the Information or use of it (including liability resulting from negligence or where the Group was aware of the possibility of such loss or damage arising) is excluded. This will not operate to limit or restrict the Group's liability for death or personal injury resulting from its negligence. Multicomp Pro is the registered trademark of Premier Farnell Limited 2019.