

DIN Rail Mount Solid State Relay Module

Single Channel AC Output

multicomp PRO

**RoHS
Compliant**



Description

This is single channel din-rail mounted module with 3A or 5A. Control voltage is 4-15V DC, 15-32V DC or 4-32V DC and isolation voltage is 4000VACrms, special for automatic machinery, control system, elevator, entertainment equipment.

Features

- Load Current: 0.1A to 5A
- Standard 35mm DIN Rail
- DC Control
- LED Indication
- Dielectric Strength: 4000V ACrms

Application

Suitable for Automatic Equipment, Control System, Entertainment Equipment.

Technical Specification

Input Circuit		
Control Voltage Range		4 ~ 15V DC
		15 ~ 32V DC
		4 ~ 32V DC
Must Turn-On Voltage		4V DC
		15V DC
		4V DC
Must Turn-Off Voltage		5V DC
		1V DC
Maximum Input Current		25mA
Output Circuit		
Load Voltage Range	240V AC	24-280V AC
Transient Over voltage	240V AC	600Vpk
Load Current Range	3A	0.1 ~ 3A
	5A	0.1 ~ 5A
Maximum Turn-On Time	Random-on	1ms
	Zero Crossing	1/2cycle+1ms
Maximum Turn-Off Time		1/2cycle+1ms
Maximum Surge Current(@10 ms)	3A	160A
	5A	250A
Maximum Off-State Leakage Current [@ Rated Voltage]		5mA
Maximum On-State Voltage Drop [@ Rated Current]		1.5Vrms
Minimum Off-State dv/dt[@ Maximum Rated Voltage]	3A	200V/μs
	5A	500V/μs

Newark.com/multicomp-pro
Farnell.com/multicomp-pro
Element14.com/multicomp-pro

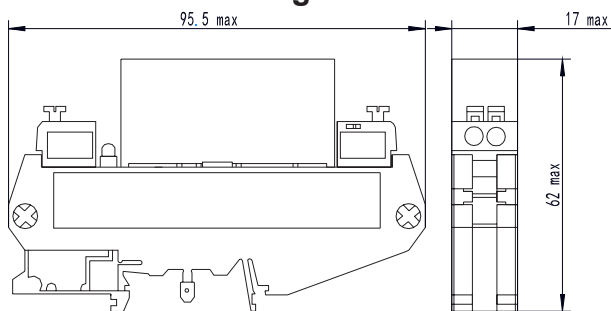
multicomp PRO

DIN Rail Mount Solid State Relay Module Single Channel AC Output

multicomp PRO

General Information	
Dielectric Strength Input/Output	4000Vrms
Insulation Resistance Input/Output	1000MΩ
Ambient Operating Temperature Range	-30°C ~ +80°C
Ambient Storage Temperature Range	-30°C ~ +100°C
Weight (Typical)	55g

Installation Drawing

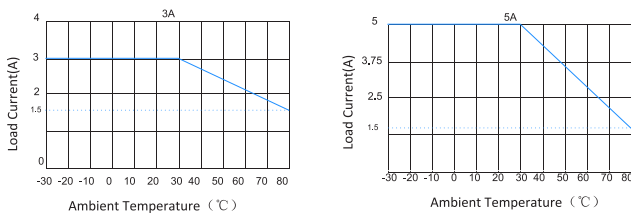


Dimensions : Millimetres

Wiring Diagram



Thermal Curve



Part Number Table

Description	Part Number
SSR Module, DIN Rail Mount, 1-CH, 3A, 240VAC, 4-32VDC, Random Turn On	MC002263
SSR Module, DIN Rail Mount, 1-CH, 5A, 240VAC, 15-32VDC, Zero Crossing	MC002264
SSR Module, DIN Rail Mount, 1-CH, 5A, 240VAC, 4-15VDC, Zero Crossing	MC002265
SSR Module, DIN Rail Mount, 1-CH, 5A, 240VAC, 15-32VDC, Random Turn On	MC002266
SSR Module, DIN Rail Mount, 1-CH, 5A, 240VAC, 4-32VDC, Zero Crossing	MC002267

Important Notice : This data sheet and its contents (the "Information") belong to the members of the AVNET group of companies (the "Group") or are licensed to it. No licence is granted for the use of it other than for information purposes in connection with the products to which it relates. No licence of any intellectual property rights is granted. The Information is subject to change without notice and replaces all data sheets previously supplied. The Information supplied is believed to be accurate but the Group assumes no responsibility for its accuracy or completeness, any error in or omission from it or for any use made of it. Users of this data sheet should check for themselves the Information and the suitability of the products for their purpose and not make any assumptions based on information included or omitted. Liability for loss or damage resulting from any reliance on the Information or use of it (including liability resulting from negligence or where the Group was aware of the possibility of such loss or damage arising) is excluded. This will not operate to limit or restrict the Group's liability for death or personal injury resulting from its negligence. Multicomp Pro is the registered trademark of Premier Farnell Limited 2019.

Newark.com/multicomp-pro
Farnell.com/multicomp-pro
Element14.com/multicomp-pro

multicomp PRO