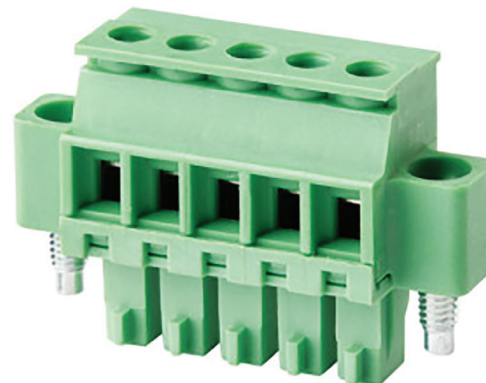


Terminal Block Plug Flanged

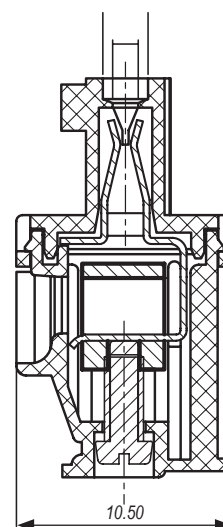
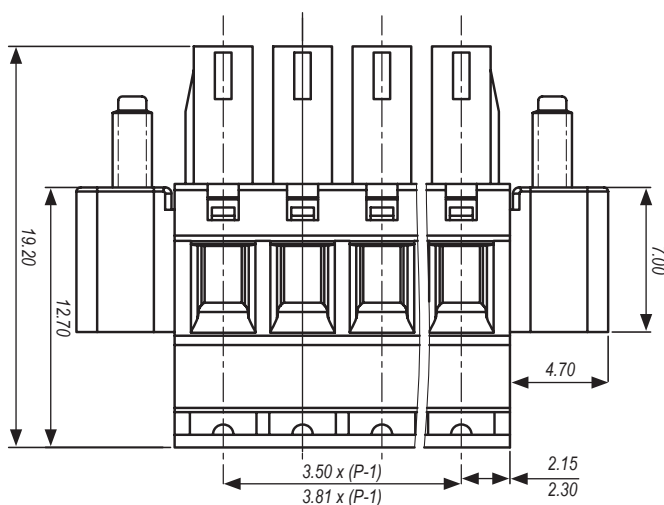
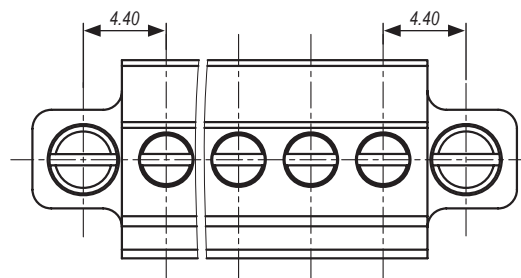
20.1500MF/xx-E (21.1500MF/xx-E)

- 300V 8A UL
- UL94-V0
- PA66
- 3.50mm (3.81mm) Pin Pitch
- RoHS Compliant
- xx = Number of Poles (available from 2~24 poles)



Technical Data

| | |
|-----------------------------------|--------------------------------|
| Pitch | 3.50mm (3.81mm) |
| UL Rating | 300V 8Amps |
| IEC Rating | 250V 10Amps |
| Solder Pin | n/a |
| Wire Range | 28-16AWG (1.5mm ²) |
| PCB Hole Diameter | n/a |
| Screw | M2.0 Steel (Zinc Plate) |
| Screw Torque | 0.2Nm |
| Insulation Voltage | AC2000V / 1 Min |
| Initial Contact Resistance | 20mΩ |
| Insulation Resistance | 500MΩ / DC500V |
| Temperature Range | -40 to +105°C |
| Max Soldering | +250°C for 5 sec |



Dimensions shown in mm P = No of Poles

Supplied in green as standard
 Other colour options and printing may be available depending upon quantity
 Please contact IMO for further information