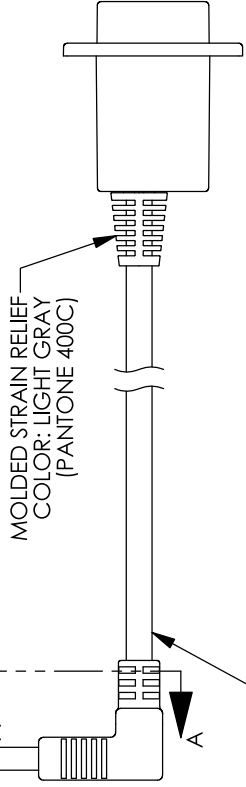
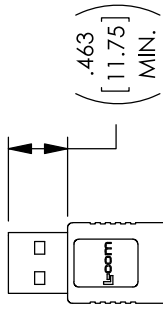
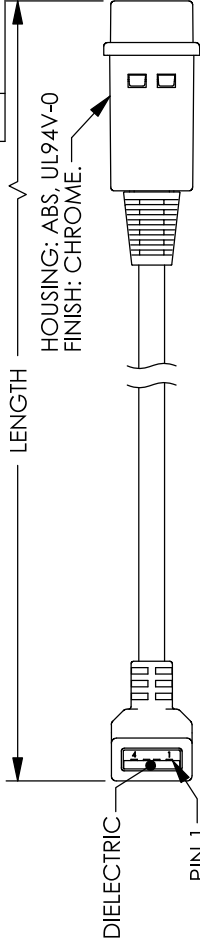
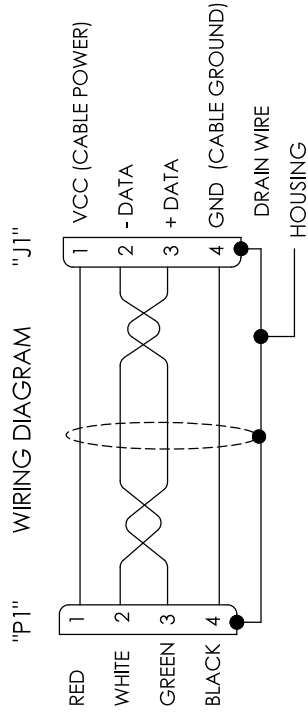


THE INFORMATION CONTAINED IN THIS DRAWING IS THE SOLE PROPERTY OF L-COM, INC. ANY REPRODUCTION IN PART OR WHOLE WITHOUT THE WRITTEN PERMISSION OF L-COM, INC. IS PROHIBITED.

| PART NUMBER   | LENGTH |          |
|---------------|--------|----------|
|               | INCHES | MM       |
| U2A00008-12I  | 12.0   | [304.8]  |
| U2A00008-24I  | 24.0   | [609.6]  |
| U2A00008-36I  | 36.0   | [914.4]  |
| U2A00008-72I  | 72.0   | [1828.8] |
| U2A00008-120I | 120.0  | [3048.0] |



LENGTH



NOTES:

1. OPERATING TEMPERATURE: -10°C TO +70°C.
2. CABLE ASSEMBLY SHALL MEET USB 2.0 REQUIREMENTS.
3. CABLE ASSEMBLY SHALL BE TESTED FOR CONTINUITY.
4. CABLE ASSEMBLY SHALL BE INDIVIDUALLY PACKAGED IN ACCORDANCE WITH L-COM SPECIFICATION PS-0031.

**REGULATORY COMPLIANCE:**  
CE2011/65/EU (RoHS DIRECTIVE)

| REV | DESCRIPTION     | DATE     | APPROVED |
|-----|-----------------|----------|----------|
| A   | INITIAL RELEASE | 06/28/17 | J.LABOY  |

