



Main

| | |
|------------------------------------|----------------------------|
| Range of product | OsiSense XS |
| Series name | Application |
| Sensor type | Inductive proximity sensor |
| Electrical circuit type | Analog output |
| Sensor name | XS1 |
| Sensor design | Cylindrical M12 |
| Size | 54 mm |
| Body type | Fixed |
| Detector flush mounting acceptance | Flush mountable |
| Material | Metal |
| Type of output signal | Analogue |
| Wiring technique | 2-wire |
| [Sn] nominal sensing distance | 0.08 in (2 mm) |
| Discrete output function | 1 NC |
| Output circuit type | DC |
| Analogue output range | 4...20 mA |
| Electrical connection | Cable |
| Cable length | 6.56 ft (2 m) |
| [Us] rated supply voltage | 12...24 V DC |
| IP degree of protection | IP67 IEC 60529 |

Complementary

| | |
|------------------------------|-----------------------------|
| Thread type | M12 x 1 |
| Detection face | Frontal |
| Front material | PPS |
| Enclosure material | Nickel Plated Brass |
| Operating zone | 0.01...0.08 in (0.2...2 mm) |
| Repeat accuracy | <= 3% of Sr |
| Linearity error | +/- 2 mA |
| Cable composition | 3 x 0.34 mm ² |
| Wire insulation material | PvR |
| Supply voltage limits | 10...36 V DC |
| Switching frequency | <= 1500 Hz |
| Current consumption | 4 mA no-load |
| Maximum output current drift | 10 % |
| Marking | CE |
| Threaded length | 1.65 in (42 mm) |
| Height | 0.47 in (12 mm) |
| Length | 1.97 in (50 mm) |
| Net Weight | 0.17 lb(US) (0.075 kg) |

Environment

| | |
|---------------------------------------|----------------------------|
| Product certifications | UL CSA |
| Ambient air temperature for operation | -13...158 °F (-25...70 °C) |

Ordering and shipping details

| | |
|-----------------------|----------------------------|
| Category | 22486 - SENSORS, PROXIMITY |
| Discount Schedule | DS2 |
| GTIN | 00785901721529 |
| Nbr. of units in pkg. | 1 |
| Package weight(Lbs) | 0.22 lb(US) (0.10 kg) |
| Returnability | No |
| Country of origin | FR |

Packing Units

| | |
|------------------------|-------------------|
| Unit Type of Package 1 | PCE |
| Package 1 Height | 1.73 in (4.4 cm) |
| Package 1 width | 4.41 in (11.2 cm) |
| Package 1 Length | 4.65 in (11.8 cm) |

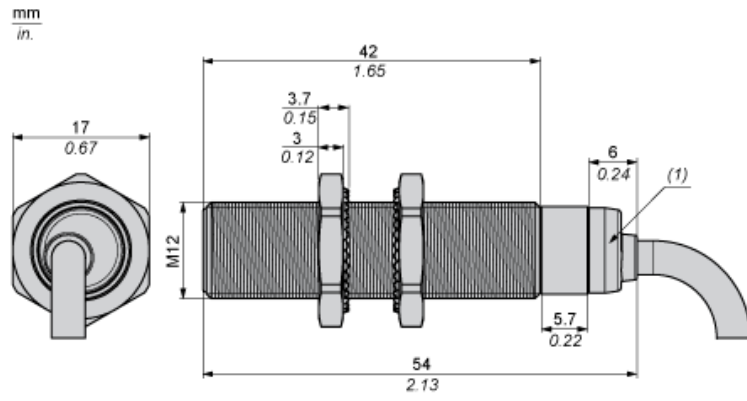
Offer Sustainability

| | |
|----------------------------|---|
| Sustainable offer status | Green Premium product |
| California proposition 65 | WARNING: This product can expose you to chemicals including: Diisononyl phthalate (DINP), which is known to the State of California to cause cancer, and Di-isodecyl phthalate (DIDP), which is known to the State of California to cause birth defects or other reproductive harm. For more information go to www.P65Warnings.ca.gov |
| REACH Regulation | REACH Declaration |
| EU RoHS Directive | Pro-active compliance (Product out of EU RoHS legal scope) EU RoHS Declaration |
| Mercury free | Yes |
| RoHS exemption information | Yes |
| Environmental Disclosure | Product Environmental Profile |
| Circularity Profile | End Of Life Information |

Contractual warranty

| | |
|----------|-----------|
| Warranty | 18 months |
|----------|-----------|

Dimensions



(1) LED

Minimum Mounting Distances

Side by side



e (1) 4 mm/0.16 in.

≥

Face to face



e (2) 24 mm/0.94 in.

≥

Facing a metal object



e (3) 6 mm/0.24 in.

≥

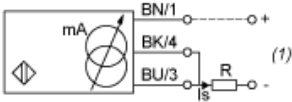
Mounting



(1) Bending cable: 4 x external cable diameter

Wiring Schemes

2-Wire connection



(1) Output current

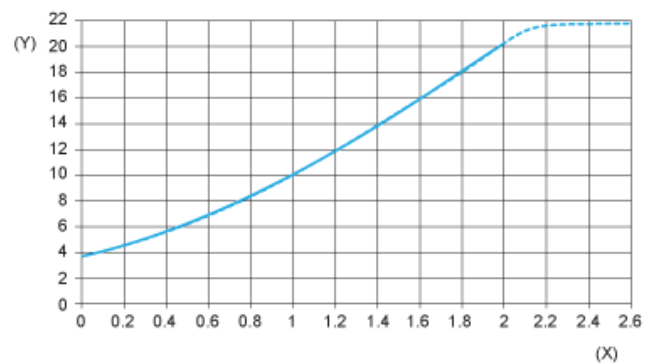
BN : Brown

BK : Black

BU : Blue

| | Output current | Load impedance value |
|------|----------------|----------------------|
| 12 V | 4...20 mA | $R \leq 8.2 \Omega$ |
| 24 V | 4...20 mA | $R \leq 470 \Omega$ |

Output Curves



(Y) Is (mA)

(X) Sensors - object distance (mm)