



Main

| | |
|---|--|
| Range of product | OsiSense XM |
| Product or component type | Electromechanical pressure sensor |
| Pressure sensor type | Electromechanical pressure sensor |
| Device short name | XMLB |
| Pressure sensor size | 145.04 psi (10 bar) |
| Controlled fluid | Air (0...70 °C) Fresh water 32...158 °F (0...70 °C) Hydraulic oil (0...70 °C) |
| Fluid connection type | G 1/4 (female) conforming to ISO 228 |
| Electrical connection | Screw-clamps terminals, 1 x 0.5...2 x 2.5 mm ² 1 connector ISO M20 |
| AWG gauge | AWG 20...AWG 14 |
| Cable entry | Cable gland 0.28...0.51 in (7...13 mm) |
| Contacts type and composition | 1 C/O |
| Product specific application | - |
| Pressure switch type of operation | Regulation between 2 thresholds |
| Electrical circuit type | Control circuit |
| Scale type | Adjustable differential |
| Local display | With |
| Adjustable range of switching point on rising pressure | 10.15...145.04 psi (0.7...10 bar) |
| Adjustable range of switching point on falling pressure | 1.89...132.71 psi (0.13...9.15 bar) |
| Possible differential maximum at high setting | 108.78 psi (7.5 bar) |
| Maximum permissible accidental pressure | 326.33 psi (22.5 bar) |
| Destruction pressure | 652.67 psi (45 bar) |
| Pressure actuator | Diaphragm |
| Materials in contact with fluid | Zinc alloy FPM, FKM |
| Enclosure material | Zinc alloy |
| Line Rated Current | 3 A, B300, AC-15 (Ue = 120 V) conforming to EN/IEC 60947-5-1 1.5 A, B300, AC-15 (Ue = 240 V) conforming to EN/IEC 60947-5-1 0.1 A, R300, DC-13 (Ue = 250 V) conforming to EN/IEC 60947-5-1 |

Complementary

| | |
|---|----------------------------------|
| Possible differential minimum at low setting | 0.57 bar (+/- 0.05 bar) |
| Possible differential minimum at high setting | 0.85 bar (- 0.1 bar, + 0.15 bar) |
| Maximum permissible pressure - per cycle | 181.30 psi (12.5 bar) |
| Terminal block type | 4 terminals |
| Maximum operating rate | 120 cyc/mn |
| Repeat accuracy | 2 % |

| | |
|--|---|
| [Ui] rated insulation voltage | 300 V conforming to UL 508 500 V conforming to EN/IEC 60947-1 300 V conforming to CSA C22.2 No 14 |
| [Uimp] rated impulse withstand voltage | 6 kV EN/IEC 60947-1 |
| Auxiliary contacts operation | Snap action |
| Contacts material | Silver contacts |
| Maximum resistance across terminals | 25 MOhm conforming to IEC 255-7 category 3 25 mOhm conforming to NF C 93-050 method A |
| Short-circuit protection | 10 A cartridge fuse, type gG (gl) |
| Mechanical durability | 5000000 cycles |
| Setting | External |
| Height | 4.45 in (113 mm) |
| Depth | 2.95 in (75 mm) |
| Width | 1.38 in (35 mm) |
| Net weight | 1.55 lb(US) (0.705 kg) |

Environment

| | |
|---------------------------------------|--|
| Standards | CE CSA C22.2 No 14 UL 508 EN/IEC 60947-5-1 |
| Product certifications | CCC CSA LROS (Lloyds register of shipping) BV EAC UL |
| Protective treatment | TC standard version |
| Ambient air temperature for operation | -13...158 °F (-25...70 °C) |
| Ambient air temperature for storage | -40...158 °F (-40...70 °C) |
| Operating position | Any position |
| Vibration resistance | 4 gn conforming to IEC 60068-2-6 (f = 30...500 Hz) |
| Shock resistance | 50 gn conforming to IEC 60068-2-27 |
| Electrical shock protection class | Class I conforming to IEC 1140 Class I conforming to IEC 536 Class I conforming to NF C 20-030 |
| IP degree of protection | IP66 EN/IEC 60529 |

Ordering and shipping details

| | |
|-----------------------|--------------------------------------|
| Category | 22661 - XMLA,B,C,D PRESSURE SWITCHES |
| Discount Schedule | DS2 |
| GTIN | 03389110755565 |
| Nbr. of units in pkg. | 1 |
| Package weight(Lbs) | 1.57 lb(US) (0.71 kg) |
| Returnability | No |
| Country of origin | CZ |

Packing Units

| | |
|------------------------|-------------------|
| Unit Type of Package 1 | PCE |
| Package 1 Height | 1.57 in (4 cm) |
| Package 1 width | 3.43 in (8.7 cm) |
| Package 1 Length | 4.80 in (12.2 cm) |

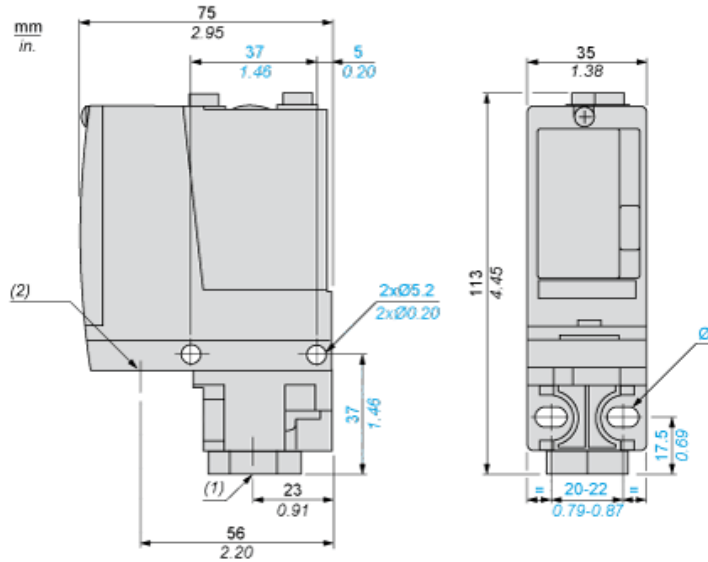
Offer Sustainability

| | |
|----------------------------|---|
| Sustainable offer status | Green Premium product |
| California proposition 65 | WARNING: This product can expose you to chemicals including: Diisononyl phthalate (DINP), which is known to the State of California to cause cancer, and Di-isodecyl phthalate (DIDP), which is known to the State of California to cause birth defects or other reproductive harm. For more information go to www.P65Warnings.ca.gov |
| REACH Regulation | REACH Declaration |
| EU RoHS Directive | Pro-active compliance (Product out of EU RoHS legal scope) EU RoHS Declaration |
| Mercury free | Yes |
| RoHS exemption information | Yes |
| Environmental Disclosure | Product Environmental Profile |

Contractual warranty

| | |
|----------|-----------|
| Warranty | 18 months |
|----------|-----------|

Dimensions



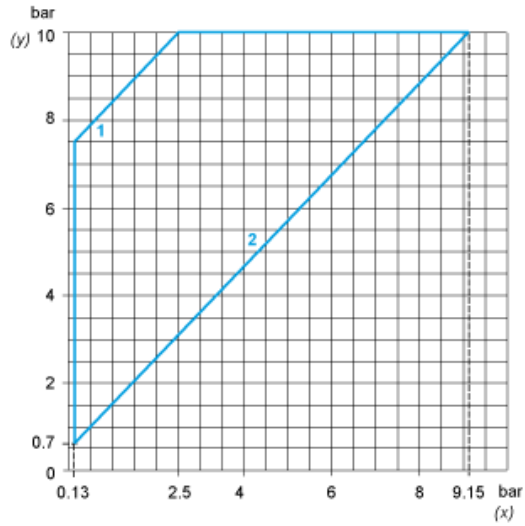
- (1) 1 fluid entry, tapped G1/4 (BSP female)
- (2) 1 electrical connections entry, tapped M20 x 1.5
- Ø : 2 elongated holes Ø 5.2 x 6.7

Wiring Diagram

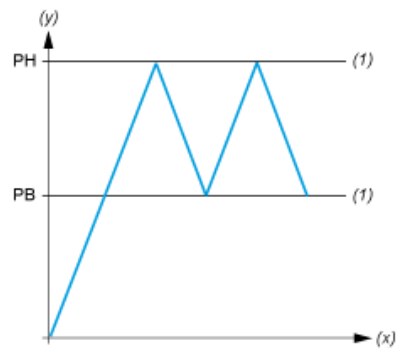
Terminal Model



Operating Curves



- (y) Rising pressure
- (x) Falling pressure
- 1 : Maximum differential
- 2 : Minimum differential



- (y) Pressure
- (x) Time
- (t) Adjustable value
- PH : High point
- PB : Below point