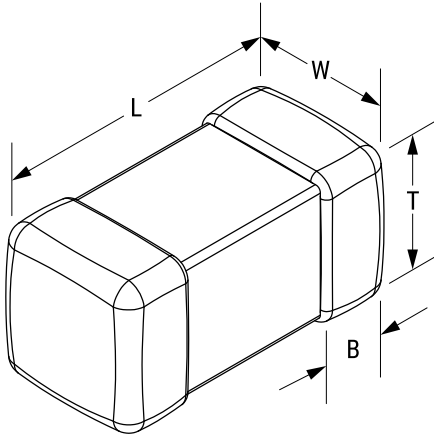


## L1210R150KDWIT

Aliases (L1210R150KDWIT)

Obsolete

KEMET, L-DWI, Ferrite, 10%, 15 uH



Click [here](#) for the 3D model.

### General Information

Series	L-DWI
Style	SMD Wire-Wound
Core	Ferrite
Description	Surface Mount Inductor
Features	High Current Type
RoHS	Yes
Notes	Last Order Date June 30, 2023.

### Dimensions

L	3.2mm +/-0.2mm
W	2.5mm +/-0.2mm
T	2.5mm +/-0.2mm

### Packaging Specifications

Packaging	T&R
Packaging Quantity	1000

### Specifications

Inductance	15 uH (0.1 MHz)
Inductance Tolerance	10%
Rated Current	850 mAmps (Irms, 40C Rise By Self Heating)
Saturation Current	730 mAmps (Isat, 30% Drop In Inductance)
Temperature Range	-40/+105°C
DC Resistance	195 mOhms
DC Resistance	0.195 Ohms
Self-Resonant Frequency	20 MHz

Statements of suitability for certain applications are based on our knowledge of typical operating conditions for such applications, but are not intended to constitute - and we specifically disclaim - any warranty concerning suitability for a specific customer application or use. This Information is intended for use only by customers who have the requisite experience and capability to determine the correct products for their application. Any technical advice inferred from this Information or otherwise provided by us with reference to the use of our products is given gratis, and we assume no obligation or liability for the advice given or results obtained.