

# Panel Mount Solid State Relay Single Phase AC Output

**multicomp** PRO

**RoHS  
Compliant**



## Description

The single phase intellectual solid state relay with internal SCR inverse parallel output and with SCR short circuit, open circuit and error inspection functions. There is optical insulation between input and output, internal resistors, capacitors and varistor protection. It is widely used in all kinds of industrial applications. The relay can be used for resistive, inductive or capacitive load. Output voltage range is 240V AC and 480V AC, output current is rated at 25A, and 60A.

## Application

It is widely used in all kinds of industrial applications. The relay can be used for resistive, inductive or capacitive load.

## Features

- Zero Switching
- Rated Current: 25A-60A @ 150-530V AC
- SCR Inverse Parallel Output
- Dielectric Strength at 4000V AC rms
- LED Indication
- Internal RC & MOV Protection
- SCR Short Circuit, open circuit and error inspection functions

## Technical Specification

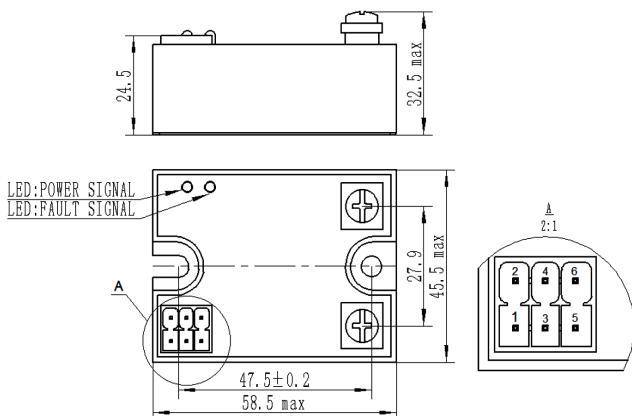
Input Circuit		
Power Supply VCC Range		18V DC ~ 32V DC
Control Voltage Range [@VCC=24VDC]	Negative trigger	0~12V DC
	Positive trigger	18~32V DC
Max. Turn-on Voltage [@VCC=24VDC]	Negative trigger	12V DC (max.)
	Positive trigger	18V DC (min.)
Max. Turn-off Voltage [@VCC=24VDC]	Negative trigger	18V DC (min.)
	Positive trigger	12V DC (max.)
Max. Power Supply Current [@VCC=24VDC]		40mA
Maximum Input Current		4mA
Output Circuit		
Load Voltage Range	240V AC	150-280V AC
	480V AC	150-530V AC
Maximum Surge Current [@10ms]	25A	250A
	60A	600A
Maximum Turn-on Time		10ms
Maximum Turn-off Time		10ms

# Panel Mount Solid State Relay Single Phase AC Output

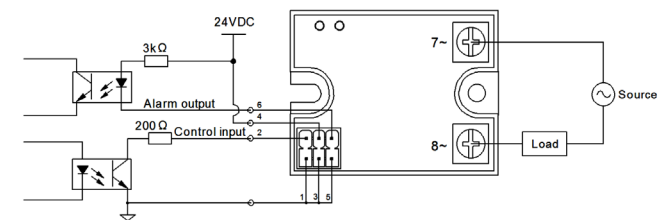
**multicomp** PRO

Maximum I <sup>2</sup> t For Fusing [@10ms]	25A	312A <sup>2</sup> S
	60A	1800A <sup>2</sup> S
Maximum Transient Over voltage	240V AC	600Vpk
	480V AC	1200Vpk
Maximum Off-state Leakage Current [@ Rated Voltage]	5mA	
Maximum On-state Voltage Drop [@ Rated Current]	1.6Vrms	
Minimum Off-state dv/dt [@ Maximum Rated Voltage]	500V/μs	
General Information		
Dielectric Strength[50/60Hz]	Input/Output	≥4000Vrms
	Input/Output/Base	≥2500Vrms
Insulation Resistance	1000MΩ (@500V DC)	
Ambient Operating Temperature Range	-30°C ~ +80°C	
Ambient Storage Temperature Range	-30°C ~ +100°C	
Weight [Typical]	100g	

## Installation Drawing



## Connection Drawing



Negative trigger product wiring diagram

Dimensions : Millimetres

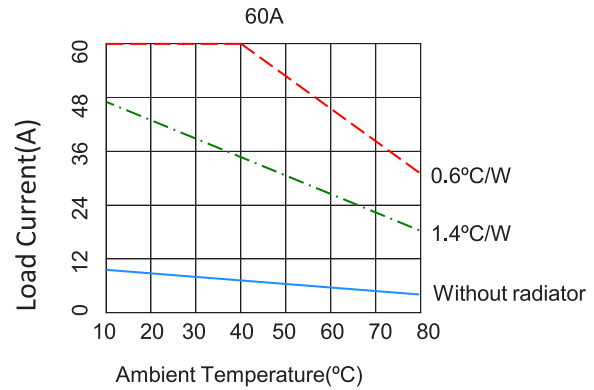
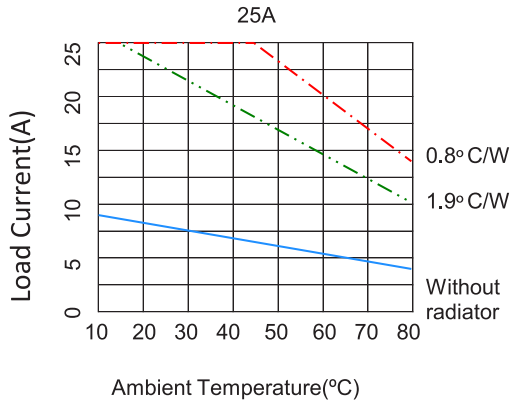
Newark.com/multicomp-pro  
Farnell.com/multicomp-pro  
Element14.com/multicomp-pro

**multicomp** PRO

# Panel Mount Solid State Relay Single Phase AC Output

**multicomp** PRO

## Thermal Curve



## Part Number Table

Description	Part Number
SSR, Panel Mount, 25A, 240V AC, Negative Trigger AC Switch, Error Detect	MC002346
SSR, Panel Mount, 60A, 480V AC, Negative Trigger, AC Switch, Error Detect	MC002347

**Important Notice :** This data sheet and its contents (the "Information") belong to the members of the AVNET group of companies (the "Group") or are licensed to it. No licence is granted for the use of it other than for information purposes in connection with the products to which it relates. No licence of any intellectual property rights is granted. The Information is subject to change without notice and replaces all data sheets previously supplied. The Information supplied is believed to be accurate but the Group assumes no responsibility for its accuracy or completeness, any error in or omission from it or for any use made of it. Users of this data sheet should check for themselves the Information and the suitability of the products for their purpose and not make any assumptions based on information included or omitted. Liability for loss or damage resulting from any reliance on the Information or use of it (including liability resulting from negligence or where the Group was aware of the possibility of such loss or damage arising) is excluded. This will not operate to limit or restrict the Group's liability for death or personal injury resulting from its negligence. Multicomp Pro is the registered trademark of Premier Farnell Limited 2019.

Newark.com/multicomp-pro  
Farnell.com/multicomp-pro  
Element14.com/multicomp-pro

**multicomp** PRO