



Features:

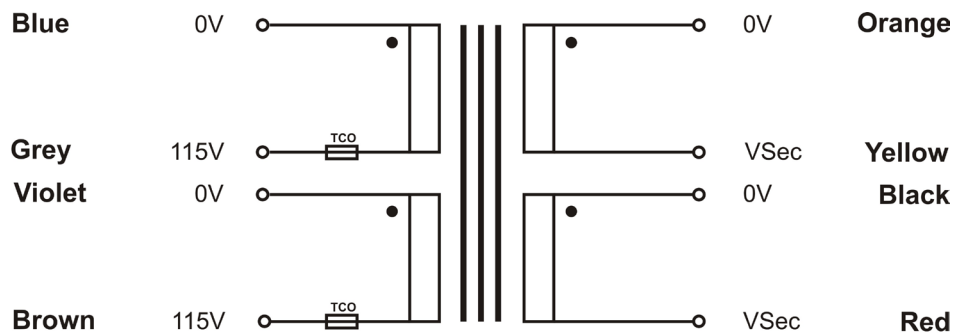
- UL Approved
- High Quality Open Style Toroidal Transformer
- Dual Primary/Secondary windings
- Thermal fuses fitted to each Primary winding
- Very low level radiated magnetic field
- Supplied with mounting Kit
- 100% electrical and flash tested.
- Compliant Standards, EN61558, EN62368, UL, C-UL, CE and UKCA.



Description

High quality toroidal transformer, VTX-146-xxx-2xx, manufactured with dual primary and secondary windings for mains input of 115V or 230V AC (suitable for various countries), to strict quality control in accordance with EN61558 and EN62368, UL, C-UL and CE. Supplied with mounting kit. The range covers power ratings from 15 to 1000 VA, with alternative versions available upon request. The toroidals are widely used in industrial power, home appliances, instrumentation, communication and civil applications.

Schematic



Lead Length: 150mm stripped and tinned ends

General Specifications

Input Voltage:

Series: 230V (200V–264V) @ 50/60Hz
 Parallel: 115V (100V–130V) @ 50/60Hz

Standards:

Compliant to: EN61558, EN62368, UL, C-UL, CE, UKCA, RoHS.

Terminations:

Primary: 150mm long, flexible, thermal fused, double insulated wire UL 1672, 300V, 5mm tinned ends.

Secondary: 150mm long, insulated copper conductors, UL 1015, 600V, 5mm tinned ends.

Physical Dimensions:

See drawing and selection table.

Temperature Class:

Fused temperature of failure (Tf): 130 ° C
 Winding wire: ANSI Type: MW30 Class H (180 ° C)
 Insulation between input & output: Class B (130 ° C)
 Connection lead insulation: Class A (105 ° C)

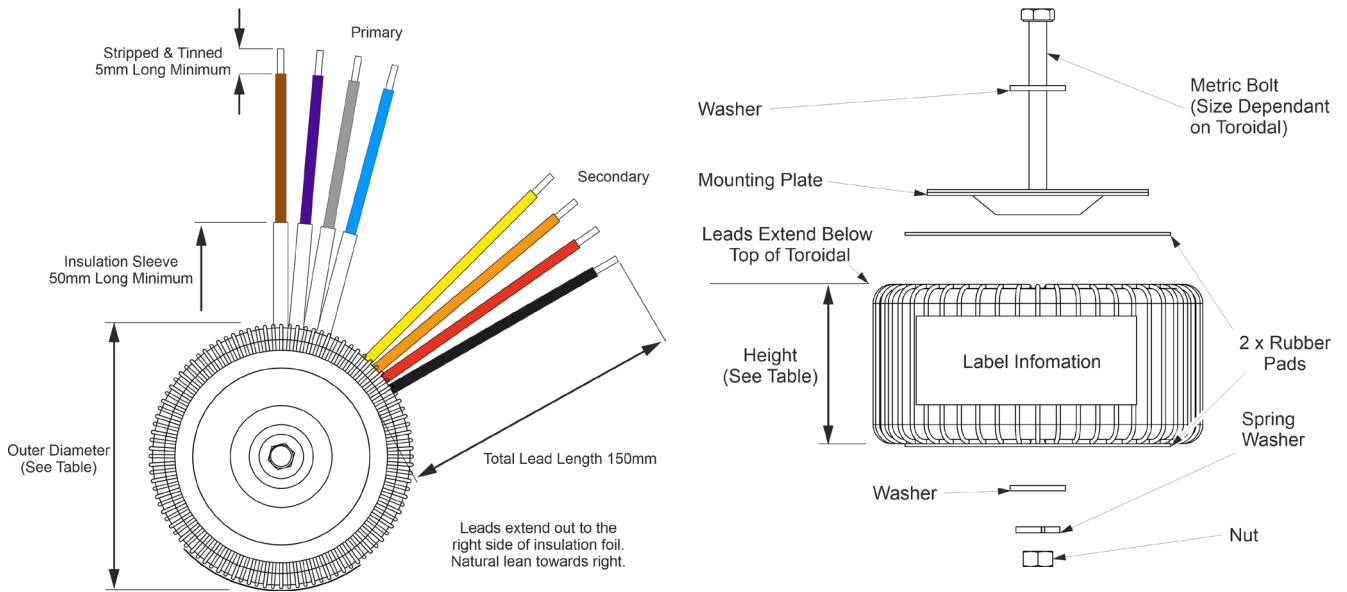
Mounting Kit:

- Metal Mounting Plate
- 2 x Rubber Pads
- Nut and Bolt
- 2 x Washers & Spring Washer



Please contact Vigortronix for any enquiries. Products can be altered to suit custom requirements. The information contained in this document is subject to change without notice.

Assembly Drawing



Figures in the table are nominal

Selection Guide								
VA Rating	Part No	Input Voltage (Vac)	Output Voltage (Vac)	Output Current (A)	Regulation (Typ. %)	Temp Rise (°C)	Height x Dia. (mm)	Weight (Kg)
15	VTX-146-015-206	115 / 230	2 x 6	1.25	16	26	33 x 65	0.33
15	VTX-146-015-209	115 / 230	2 x 9	0.83	16	26	33 x 65	0.33
15	VTX-146-015-212	115 / 230	2 x 12	0.63	16	26	33 x 65	0.33
15	VTX-146-015-215	115 / 230	2 x 15	0.5	16	26	33 x 65	0.33
15	VTX-146-015-218	115 / 230	2 x 18	0.42	16	26	33 x 65	0.33
15	VTX-146-015-224	115 / 230	2 x 24	0.3125	16	26	33 x 65	0.33
15	VTX-146-015-225	115 / 230	2 x 25	0.3	16	26	33 x 65	0.33
30	VTX-146-030-206	115 / 230	2 x 6	2.5	14	40	33 x 74	0.45
30	VTX-146-030-209	115 / 230	2 x 9	1.67	14	40	33 x 74	0.45
30	VTX-146-030-212	115 / 230	2 x 12	1.25	14	40	33 x 74	0.45
30	VTX-146-030-215	115 / 230	2 x 15	1	14	40	33 x 74	0.45
30	VTX-146-030-218	115 / 230	2 x 18	0.83	14	40	33 x 74	0.45
30	VTX-146-030-224	115 / 230	2 x 24	0.625	14	40	33 x 74	0.45
30	VTX-146-030-225	115 / 230	2 x 25	0.6	14	40	33 x 74	0.45
50	VTX-146-050-206	115 / 230	2 x 6	4.17	14	42	33 x 82	0.6
50	VTX-146-050-209	115 / 230	2 x 9	2.78	14	42	33 x 82	0.6
50	VTX-146-050-212	115 / 230	2 x 12	2.08	14	42	33 x 82	0.6
50	VTX-146-050-215	115 / 230	2 x 15	1.67	14	42	33 x 82	0.6
50	VTX-146-050-218	115 / 230	2 x 18	1.39	14	42	33 x 82	0.6
50	VTX-146-050-224	115 / 230	2 x 24	1.05	14	42	33 x 82	0.6
50	VTX-146-050-225	115 / 230	2 x 25	1	14	42	33 x 82	0.6
50	VTX-146-050-255	115 / 230	2 x 55	0.45	14	42	33 x 82	0.6

Please contact Vigortronix for any enquiries. Products can be altered to suit custom requirements.
The information contained in this document is subject to change without notice.

VA Rating	Part No	Input Voltage (Vac)	Output Voltage (Vac)	Output Current (A)	Regulation (Typ. %)	Temp Rise (°C)	Height x Dia. (mm)	Weight (Kg)
60	VTX-146-060-206	115 / 230	2 x 6	5	15	50	34 x 85	0.8
60	VTX-146-060-209	115 / 230	2 x 9	3.33	15	50	34 x 85	0.8
60	VTX-146-060-212	115 / 230	2 x 12	2.5	15	50	34 x 85	0.8
60	VTX-146-060-215	115 / 230	2 x 15	2	15	50	34 x 85	0.8
60	VTX-146-060-218	115 / 230	2 x 18	1.66	15	50	34 x 85	0.8
60	VTX-146-060-224	115 / 230	2 x 24	1.25	15	50	34 x 85	0.8
60	VTX-146-060-225	115 / 230	2 x 25	1.2	15	50	34 x 85	0.8
60	VTX-146-060-230	115 / 230	2 x 30	1	15	50	34 x 85	0.8
60	VTX-146-060-250	115 / 230	2 x 55	0.55	15	50	34 x 85	0.8
80	VTX-146-080-209	115 / 230	2 x 9	4.44	11	50	40 x 90	1
80	VTX-146-080-212	115 / 230	2 x 12	3.33	11	50	40 x 90	1
80	VTX-146-080-215	115 / 230	2 x 15	2.67	11	50	40 x 90	1
80	VTX-146-080-218	115 / 230	2 x 18	2.22	11	50	40 x 90	1
80	VTX-146-080-224	115 / 230	2 X 24	1.66	11	50	40 x 90	1
80	VTX-146-080-225	115 / 230	2 X 25	1.6	11	50	40 x 90	1
80	VTX-146-080-230	115 / 230	2 X 30	1.33	11	50	40 x 90	1
80	VTX-146-080-255	115 / 230	2 X 55	0.73	11	50	40 x 90	1
100	VTX-146-100-209	115 / 230	2 x 9	5.55	11	53	45 x 91	1.2
100	VTX-146-100-212	115 / 230	2 x 12	4.15	11	53	45 x 91	1.2
100	VTX-146-100-215	115 / 230	2 x 15	3.33	11	53	45 x 91	1.2
100	VTX-146-100-218	115 / 230	2 x 18	2.77	11	53	45 x 91	1.2
100	VTX-146-100-224	115 / 230	2 x 24	2.08	11	53	45 x 91	1.2
100	VTX-146-100-225	115 / 230	2 x 25	2	11	53	45 x 91	1.2
100	VTX-146-100-230	115 / 230	2 x 30	1.66	11	53	45 x 91	1.2
100	VTX-146-100-255	115 / 230	2 x 55	0.9	11	53	45 x 91	1.2
120	VTX-146-120-209	115 / 230	2 x 9	6.66	10	55	45 X 98	1.32
120	VTX-146-120-212	115 / 230	2 x 12	5	10	55	45 X 98	1.32
120	VTX-146-120-215	115 / 230	2 x 15	4	10	55	45 X 98	1.32
120	VTX-146-120-218	115 / 230	2 x 18	3.33	10	55	45 X 98	1.32
120	VTX-146-120-224	115 / 230	2 x 24	2.5	10	55	45 X 98	1.32
120	VTX-146-120-225	115 / 230	2 x 25	2.4	10	55	45 X 98	1.32
120	VTX-146-120-230	115 / 230	2 x 30	2	10	55	45 X 98	1.32
120	VTX-146-120-255	115 / 230	2 x 55	1.09	10	55	45 X 98	1.32
160	VTX-146-160-209	115 / 230	2 x 9	8.88	8	55	47 X 105	1.6
160	VTX-146-160-212	115 / 230	2 x 12	6.67	8	55	47 X 105	1.6
160	VTX-146-160-215	115 / 230	2 x 15	5.33	8	55	47 X 105	1.6
160	VTX-146-160-218	115 / 230	2 x 18	4.44	8	55	47 X 105	1.6
160	VTX-146-160-224	115 / 230	2 x 24	3.33	8	55	47 X 105	1.6
160	VTX-146-160-225	115 / 230	2 x 25	3.2	8	55	47 X 105	1.6
160	VTX-146-160-230	115 / 230	2 x 30	2.67	8	55	47 X 105	1.6
160	VTX-146-160-255	115 / 230	2 x 55	1.45	8	55	47 X 105	1.6

Please contact Vigortronix for any enquiries. Products can be altered to suit custom requirements.
The information contained in this document is subject to change without notice.

VA Rating	Part No	Input Voltage (Vac)	Output Voltage (Vac)	Output Current (A)	Regulation (Typ. %)	Temp Rise (°C)	Height x Dia. (mm)	Weight (Kg)
225	VTX-146-225-212	115 / 230	2 x 12	9.38	7	60	51 X 110	2.2
225	VTX-146-225-215	115 / 230	2 x 15	7.5	7	60	51 X 110	2.2
225	VTX-146-225-218	115 / 230	2 x 18	6.3	7	60	51 X 110	2.2
225	VTX-146-225-224	115 / 230	2 x 24	4.68	7	60	51 X 110	2.2
225	VTX-146-225-225	115 / 230	2 x 25	4.5	7	60	51 X 110	2.2
225	VTX-146-225-230	115 / 230	2 x 30	3.75	7	60	51 X 110	2.2
225	VTX-146-225-250	115 / 230	2 x 50	2.25	7	60	51 X 110	2.2
225	VTX-146-225-255	115 / 230	2 x 55	2.05	7	60	51 X 110	2.2
250	VTX-146-250-212	115 / 230	2 x 12	10.42	7	60	50 X 119	2.5
250	VTX-146-250-215	115 / 230	2 x 15	8.33	7	60	50 X 119	2.5
250	VTX-146-250-218	115 / 230	2 x 18	6.95	7	60	50 X 119	2.5
250	VTX-146-250-225	115 / 230	2 x 25	5	7	60	50 X 119	2.5
250	VTX-146-250-230	115 / 230	2 x 30	4.16	7	60	50 X 119	2.5
250	VTX-146-250-235	115 / 230	2 x 35	3.57	7	60	50 X 119	2.5
250	VTX-146-250-240	115 / 230	2 x 40	3.125	7	60	50 X 119	2.5
250	VTX-146-250-245	115 / 230	2 x 45	2.77	7	60	50 X 119	2.5
250	VTX-146-250-250	115 / 230	2 x 50	2.5	7	60	50 X 119	2.5
250	VTX-146-250-255	115 / 230	2 x 55	2.27	7	60	50 X 119	2.5
300	VTX-146-300-212	115 / 230	2 x 12	12.5	6	60	55 X 125	3.0
300	VTX-146-300-215	115 / 230	2 x 15	10	6	60	55 X 125	3.0
300	VTX-146-300-218	115 / 230	2 x 18	8.33	6	60	55 X 125	3.0
300	VTX-146-300-224	115 / 230	2 x 24	6.25	6	60	55 X 125	3.0
300	VTX-146-300-225	115 / 230	2 x 25	6	6	60	55 X 125	3.0
300	VTX-146-300-230	115 / 230	2 x 30	5	6	60	55 X 125	3.0
300	VTX-146-300-235	115 / 230	2 x 35	4.28	6	60	55 X 125	3.0
300	VTX-146-300-255	115 / 230	2 X 55	2.73	6	60	55 X 125	3.0
500	VTX-146-500-224	115 / 230	2 x 24	10.4	6	68	61 X 138	4.3
500	VTX-146-500-225	115 / 230	2 x 25	10	6	68	61 X 138	4.3
500	VTX-146-500-230	115 / 230	2 x 30	8.33	6	68	61 X 138	4.3
500	VTX-146-500-235	115 / 230	2 x 35	7.14	6	68	61 X 138	4.3
500	VTX-146-500-240	115 / 230	2 x 40	6.25	6	68	61 X 138	4.3
500	VTX-146-500-245	115 / 230	2 x 45	5.56	6	68	61 X 138	4.3
500	VTX-146-500-250	115 / 230	2 x 50	5	6	68	61 X 138	4.3
500	VTX-146-500-255	115 / 230	2 x 55	4.55	6	68	61 X 138	4.3
625	VTX-146-625-225	115 / 230	2 x 25	12.5	5	70	72 X 144	5.2
625	VTX-146-625-240	115 / 230	2 x 40	7.8	5	70	72 X 144	5.2
625	VTX-146-625-245	115 / 230	2 X 45	6.95	5	70	72 X 144	5.2
625	VTX-146-625-250	115 / 230	2 x 50	6.25	5	70	72 X 144	5.2
625	VTX-146-625-255	115 / 230	2 x 55	5.68	5	70	72 X 144	5.2
800	VTX-146-800-240	115 / 230	2 x 40	10	5	72	65 X 163	6.3
800	VTX-146-800-245	115 / 230	2 x 45	8.88	5	72	65 X 163	6.3
800	VTX-146-800-250	115 / 230	2 x 50	8	5	72	65 X 163	6.3
800	VTX-146-800-255	115 / 230	2 x 55	7.27	5	72	65 X 163	6.3
1000	VTX-146-1000-225	115 / 230	2 x 25	20	4	75	71 X 167	7.48
1000	VTX-146-1000-240	115 / 230	2 x 40	12.5	4	75	71 X 167	7.48
1000	VTX-146-1000-245	115 / 230	2 x 45	11.11	4	75	71 X 167	7.48
1000	VTX-146-1000-250	115 / 230	2 x 50	10	4	75	71 X 167	7.48
1000	VTX-146-1000-255	115 / 230	2 x 55	9.09	4	75	71X 167	7.48

Please contact Vigortronix for any enquiries. Products can be altered to suit custom requirements.

The information contained in this document is subject to change without notice.