

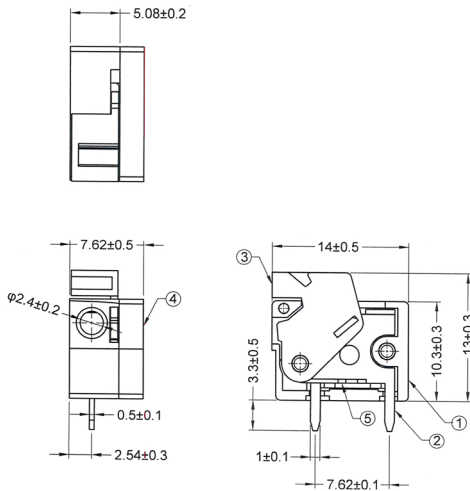
**RoHS
Compliant**



Specifications

Current Rating	: 10Amp 300V
Insulation Withstands Volt	: AC2000V min
Insulation Resistance	: >2000MΩ DC500V
Operation Temperature	: -40°C to +105°C
Wire Range	: 14-24 AWG
Wire Strip Length	: 10mm
PCB Hole Dia.	: 1.4mm

Diagram



SL	Part Name	Material	Plating/Finish	Remark
1	Insulating Body	Polyamide 66 (UL94V-0)		Green
2	Terminal	Brass	Tin plated	
3	Lever	Polyamide 66 (UL94V-0)		Orange
4	Cover	Polyamide 66 (UL94V-0)		Green
5	Spring	Stainless strip Steel		

Part Number Table

Description	Part Number
Wire-To-Board Terminal Block, 1 Ways, 24 AWG to 14 AWG, Clamp	MX222-50801

Dimensions : Millimetres

Important Notice : This data sheet and its contents (the "Information") belong to the members of the AVNET group of companies (the "Group") or are licensed to it. No licence is granted for the use of it other than for information purposes in connection with the products to which it relates. No licence of any intellectual property rights is granted. The Information is subject to change without notice and replaces all data sheets previously supplied. The Information supplied is believed to be accurate but the Group assumes no responsibility for its accuracy or completeness, any error in or omission from it or for any use made of it. Users of this data sheet should check for themselves the Information and the suitability of the products for their purpose and not make any assumptions based on information included or omitted. Liability for loss or damage resulting from any reliance on the Information or use of it (including liability resulting from negligence or where the Group was aware of the possibility of such loss or damage arising) is excluded. This will not operate to limit or restrict the Group's liability for death or personal injury resulting from its negligence. Multicomp Pro is the registered trademark of Premier Farnell Limited 2019.

Newark.com/multicomp-pro
Farnell.com/multicomp-pro
sg.element14.com/b/multicomp-pro