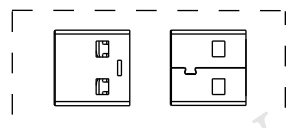
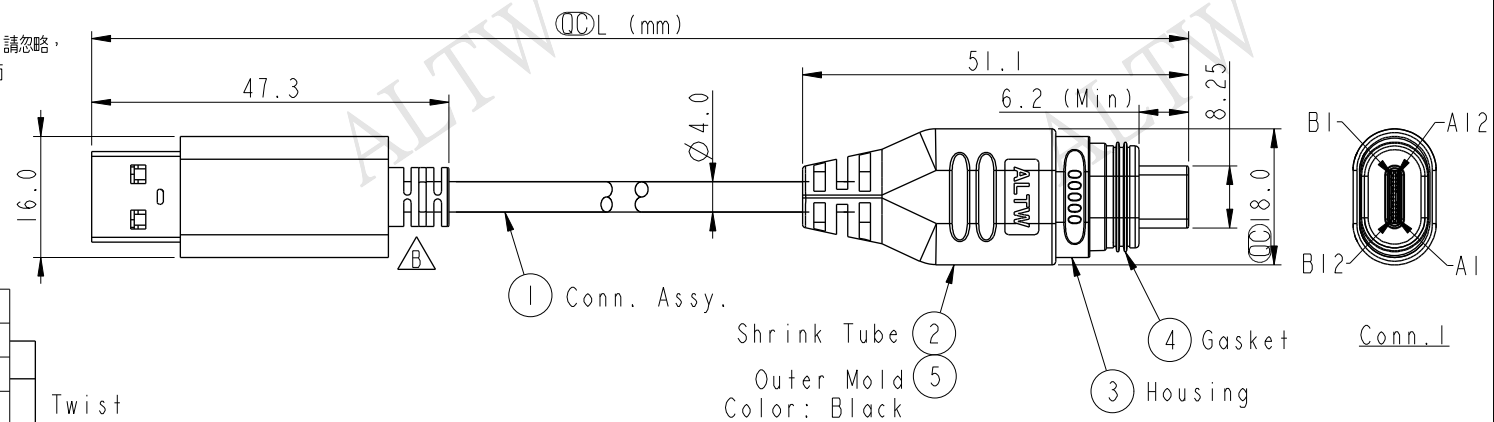
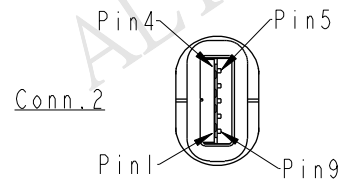


THIS DOCUMENT IS SUBJECT TO CHANGE WITHOUT NOTICE. IT IS CONFIDENTIAL AND A PROPERTY OF Amphenol LTW. DISCLOSURE TO THIRD PARTY HAS TO BE AUTHORIZED BY Amphenol LTW.

REV.	ECN NO.	DATE	SIGN	DESCRIPTION
A	Initial release	2016/05/18	Doreen	New item
B	LEN16B0032	2016/10/14	Cheng	Update SR of Conn.2 and note

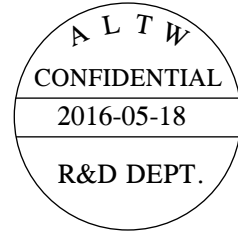
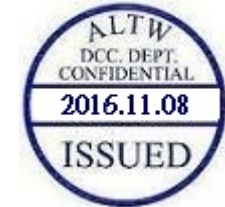


QC \triangle Type A 金屬外殼結合縫外觀樣式非QC重點，請忽略，
Type A 除此部分，外觀尺寸大小皆須符合圖面



Shield	Braid	編織	Shield
9	Blue	藍	B11
8	White	白	B10
7	Drain	地線	B12
			B1
			A12
			A1
6	Drain	地線	B12
			B1
			A12
			A1
5	Blue	藍	A2
4	White	白	A3
4	Drain	地線	B12
			B1
			A12
3	Green	綠	A6
			A7
			A9
2	White	白	B9
			B4
			A9
1	Red	紅	A4
			A4
			A4
Conn.2	Wire Color	Conn.1	
Pin Out			

Part Number: UC-30AMM-QD8BXX
 Cable length--XX: 01~03 Meters
 01: 1 Meter
 02: 2 Meters
 03: 3 Meters
 Cable Length tolerance: 1~3M±50mm



Note:
 * \odot Important Dimension
 * Conn.1: USB Type C, Plug
 * Housing: PP, UL94 V-0, Black
 * Gasket: Silicone, Black \triangle
 * Waterproof Rate: IP68(Mated)(under water ,1M 24H)
 * Conn.2: USB Type A 3.0, Plug
 * Non-waterproof.
 * Cable: (USB3.0) (30AWG*2C+D+A1/My)*2+32AWG*IP +23AWG*1C+D+A1/My+B,PVC Jacket, OD=4.0mm, Black

UNIT:mm	\odot	\triangle	TITLE
TOLERANCE	± 0.5		USB TYPE C TO USB 3.0 TYPE A PLUG
SCALE	1:1	SIZE	A4
REV.	B	WC-REV.	A.27
		QC	Inspection item

Amphenol LTW
 安費諾亮泰企業股份有限公司

ITEM NO	DRAWN BY	DATE
DWG NO	Cheng	2016/10/14
CUSTOMER	CHECKED BY	DATE
ALTW	Jush	2016/10/14
	APPROVED BY	DATE
	Lisa	2016/10/14