

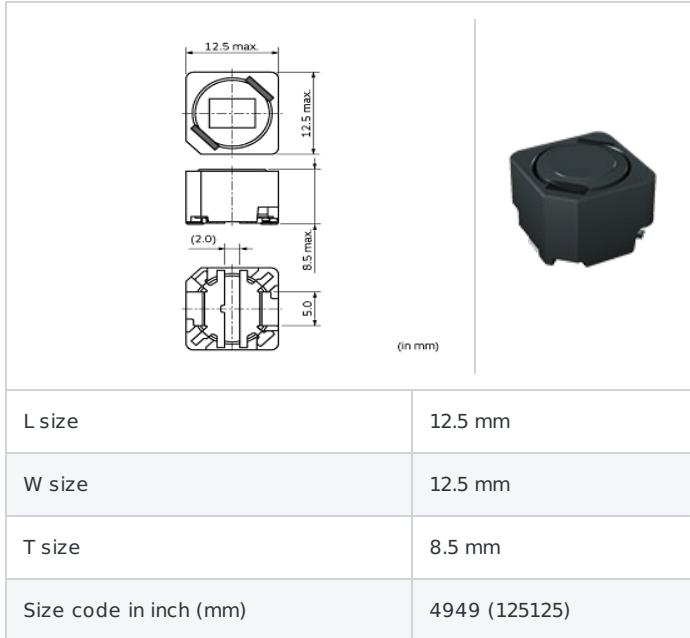
MBH12282C-470MA#

"#" indicates a package specification code.



< List of part numbers with package codes >
MBH12282C-470MA=P3

Shape



Notes

Rated current (I_{sat}) is specified when the decrease of the initial inductance value at 10%. (The ambient reference temperature is 25°C)
Rated current (I_{temp}) is specified when temperature of the inductor is raised 40°C by DC current. (The ambient reference temperature is 25°C)

References

Packaging code	Specifications	Minimum quantity
=P3	φ 330mm Embossed taping	300

Mass (Typ.)	
1 piece	4.5825g

Specifications

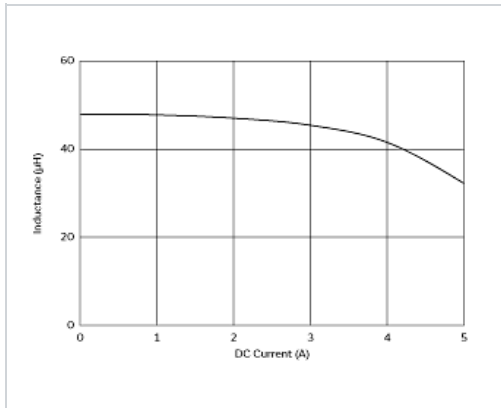
Inductance	47μH ±20%
Inductance test frequency	0.1MHz
Rated current (I _{sat}) (Based on Inductance change)	2500mA
Rated current (I _{temp}) (Based on Temperature rise)	2600mA
Max. of DC resistance	0.0792Ω
Avg. of DC resistance	0.066Ω±20%
Operating temperature range (Self-temperature rise is included)	-40~150°C
Class of magnetic shield	Ferrite Core

⚠ Attention

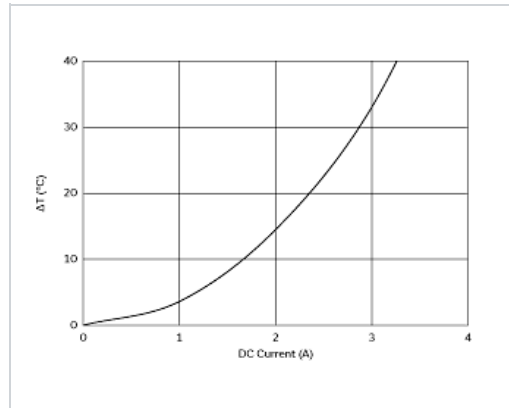
- 1.This datasheet is downloaded from the website of Murata Manufacturing Co., Ltd. Therefore, it's specifications are subject to change or our products in it may be discontinued without advance notice. Please check with our sales representatives or product engineers before ordering.
- 2.This datasheet has only typical specifications because there is no space for detailed specifications. Therefore, please review our product specifications or consult the approval sheet for product specifications before ordering.

Chart of characteristic data (The charts below may show another part number which shares its characteristics.)

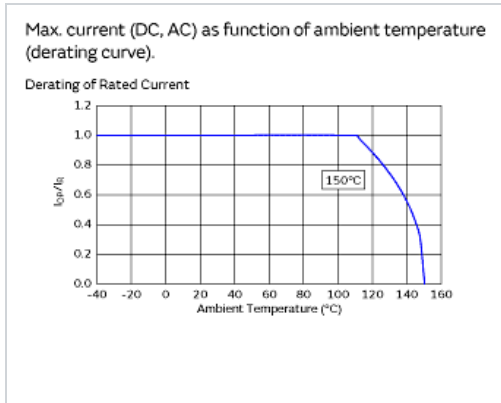
▪ Inductance-Current characteristics (Typ.)



▪ Temperature rise characteristics (Typ.)



▪ Notice (Rating)



⚠ Attention

1. This datasheet is downloaded from the website of Murata Manufacturing Co., Ltd. Therefore, its specifications are subject to change or our products in it may be discontinued without advance notice. Please check with our sales representatives or product engineers before ordering.
2. This datasheet has only typical specifications because there is no space for detailed specifications. Therefore, please review our product specifications or consult the approval sheet for product specifications before ordering.