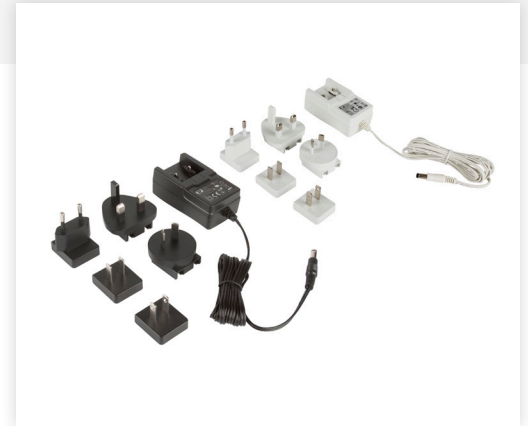


## 6W

### AC-DC POWER SUPPLIES

The ACM06 series of wall plug adaptors comply with the latest energy efficiency level VI standards with high active mode efficiency and extremely low no load power consumption.

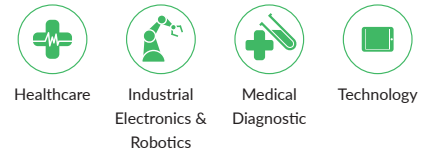
Available with a standard jack plug connector these adaptors suit a wide variety of cost sensitive medical (2 x MOPP) and ITE and industrial electronics applications while maintaining industry leading performance.



### Features

- Energy efficiency level VI
- European CoC tier 2
- Medical and ITE approvals
- Interchangeable mains connectors
- Optional white versions
- Output voltages from 5V to 12V
- Class II construction
- 3 year warranty

### Applications



### Dimensions

**Body only:**

73.5 x 30.7 x 42.5mm (2.89" x 1.21" x 1.67")

### Models & Ratings

Model Number <sup>(1)</sup>	Output Voltage	Output Current	Total Regulation <sup>(3)</sup>	Efficiency <sup>(4)</sup>	Output Power
ACM06US05	5.0V	1000mA	±5%	80%	6W
ACM06US09	9.0V	600mA		79%	
ACM06US12	12.0V	500mA		82%	

**Notes:**

1. Model number is for body only, AC input plugs must be ordered separately, see AC input plug section.
2. Other output voltages available, contact sales for details.
3. Total regulation includes initial set accuracy, line and load regulation.
4. Typical average value measured at 115VAC.
5. For white case version add suffix '-W' e.g. ACM06US12-W. MOQ applies, contact sales for details.
6. For 5V version with optional USB type A connector in case, add suffix '-BB', e.g. ACM06US05-BB.

## Input

Characteristic	Minimum	Typical	Maximum	Units	Notes & Conditions
Input Voltage	90		264	VAC	
Input Frequency	47		63	Hz	
Power Factor					EN61000-3-2 class A
Input Current			0.2	A	100VAC
Inrush Current			70	A	240VAC cold start, 25°C
No Load Input Power			75	mW	
Input Protection	Internal fuse in line				

## Output

Characteristic	Minimum	Typical	Maximum	Units	Notes & Conditions
Output Voltage - V1	5		12	VDC	See Models & Ratings
Minimum Load	No minimum load required				
Start Up Delay			4	s	
Start Up Rise Time		30		ms	
Hold Up Time	10			ms	Full load and 100VAC
Total Regulation			5	%	See Models & Ratings
Transient Response			4	% deviation	For a 50% step load change at 0.15A/μs
Ripple & Noise			150	mV pk-pk	Measured with 20MHz Bandwidth and 10μF electrolytic in parallel with 0.1μF ceramic capacitor.
Temperature Coefficient			0.05	%/°C	
Short Circuit Protection	Continuous, trip and restart (hiccup mode) with auto recovery				
Overload protection	120		210	%	

## General

Characteristic	Minimum	Typical	Maximum	Units	Notes & Conditions
Efficiency		80		%	Typical average of efficiencies measured at 25%, 50%, 75% and 100% load and 115VAC input
Energy Efficiency					Level VI
Isolation: Input to Output	4000			VAC	2 x MOPP, suitable for BF applications*
Switching Frequency	24		70	kHz	Variable
Leakage Current		20	100	μA	At 264VAC, 60Hz, from output to ground
Mean Time Between Failure	250			khrs	2MIL-HDBK-217F, 25°C GB
Weight		100 (0.22)		g (lb)	Body only

\*Not tested by safety agency

## Environmental

Characteristic	Minimum	Typical	Maximum	Units	Notes & Conditions
Operating Temperature	0		+60	°C	Derate from 100% load at 40°C to 50% load at 60°C
Storage Temperature	-20		+85	°C	
Cooling	Natural convection				
Operating Humidity	5		90	%	RH, non-condensing
Operating Altitude			5000	m	
Shock	1m drop onto concrete on each of 6 axes, non operating				
Vibration	10		300	Hz	2g, 0.3 decades/min, 15 mins for each of 3 axes

## EMC: Emissions

Phenomenon	Standard	Test Level	Notes & Conditions
Conducted	EN55032	Level B	
Radiated	EN55032	Level B	
Harmonic Currents	EN61000-3-2	Class A	
Voltage Flicker	EN61000-3-3		

## EMC: Immunity

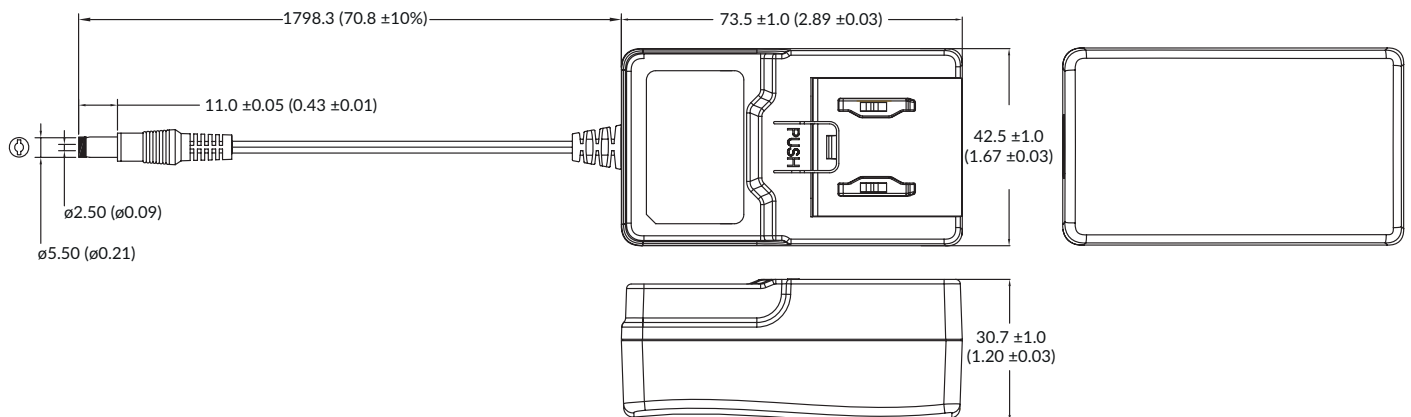
Phenomenon	Standard	Test Level	Criteria	Notes & Conditions
Medical Device EMC	IEC60601-1-2	Ed.4.0 : 2014	as below	
Low Voltage PSU EMC	EN61204-3	High severity level	as below	
ESD Immunity	EN61000-4-2	±15kV Air, ±8kV contact	A	
Radiated Immunity	EN61000-4-3	10V/m	A	
EFT/Burst	EN61000-4-4	Level 3	A	
Surge	EN61000-4-5	Installation Class 2	A	
Conducted	EN61000-4-6	6 V	A	
Magnetic Field	EN61000-4-8	30A/m	A	
Dips and Interruptions	EN61000-4-11	Dip: 100% 10ms	B	
		Dip: 70% 500ms	B	
		Int: 100% 5000ms	B	
	EN60601-1-2	Dip: 30% 25 AC Cycles	A	At 8 angles, A at 115VAC, B at 100VAC
		Int: 100% 0.5 AC Cycle		
		Int: 100% 1 AC Cycle	B	
		Int: >95% 5000ms	B	

## Safety Approvals

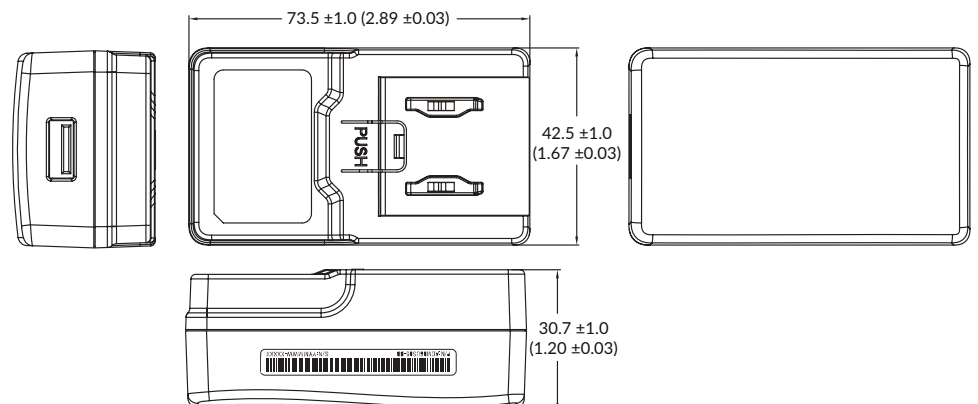
Certification	Standard	Notes & Conditions
UL	UL60950-1, UL62368-1	Information Technology
	ANSI/AAMI ES60601-1	Medical, 2 x MOPP
EN	EN60950-1, EN62368-1	Information Technology
	EN60601-1	Medical, 2 x MOPP
CB	IEC60950-1, IEC62368-1	Information Technology
	IEC60601-1	Medical, 2 x MOPP
CSA	CSA C22.2 No. 60601	Medical 2 x MOPP
CCC	China Compulsory Certification, GB4943	
AU/NZ	AU/NZ 60950.1	
CE	Meets all applicable directives	
UKCA	Meets all applicable legislation	

## Mechanical Details

### ACM06USXX



### ACM06US05-BB



### Notes:

Dimensions in mm (inches).  
ACM06USXX output plug  $\phi 5.5 \times \phi 2.5 \times 11.0$ mm, centre positive.

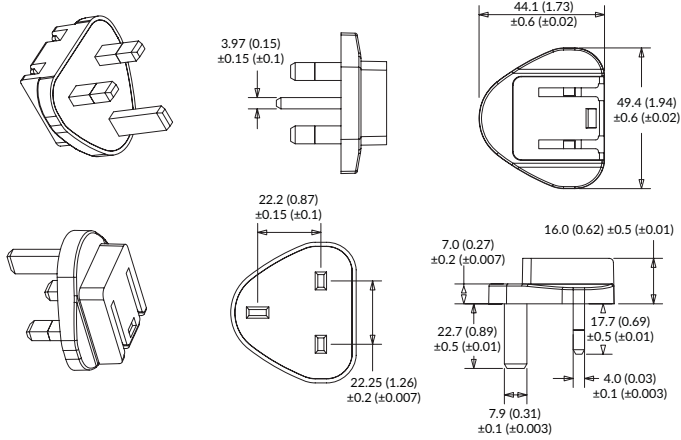
ACM06USXX output lead: UL2468, 18 AWG.

## Mechanical Details

### AC Input Plugs

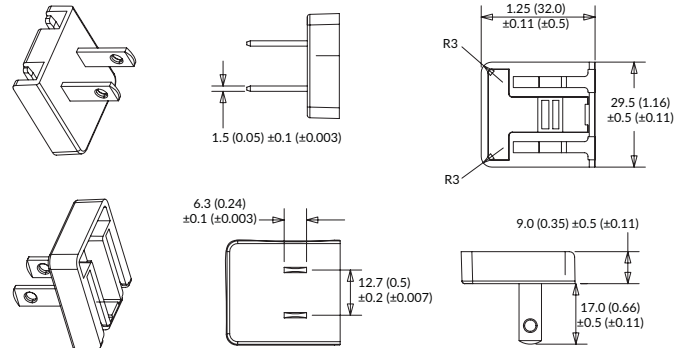
**Black UK Plug: ACM PLUG UK**

**White UK Plug: ACM PLUG UK W**



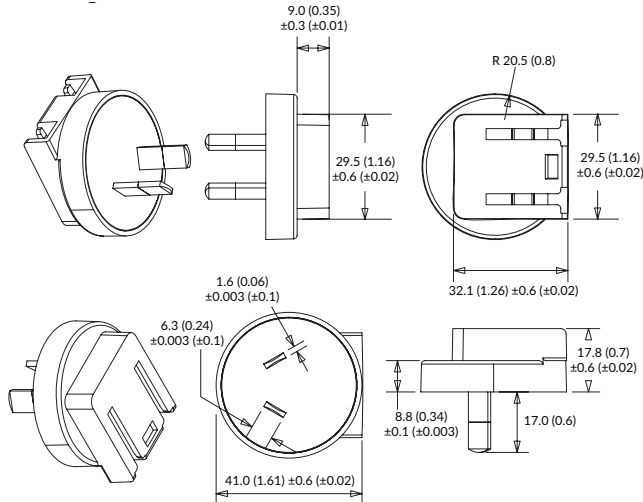
**Black USA Plug: ACM PLUG US**

**White USA Plug: ACM PLUG US W**



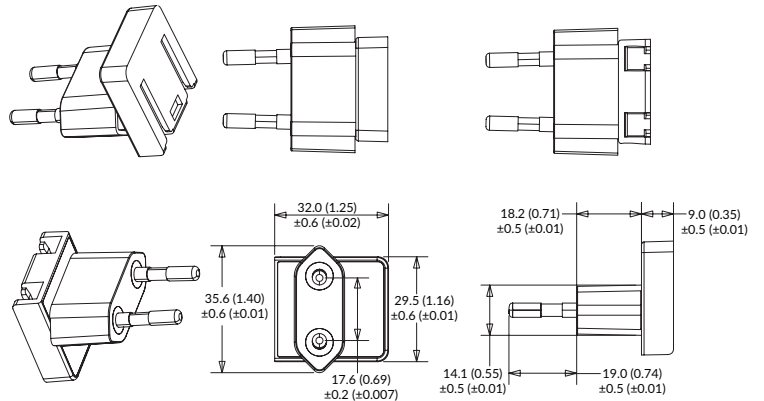
**Black Australian Plug: ACM PLUG AU**

**White Australian Plug: ACM PLUG AU W**



**Black European Plug: ACM PLUG EU**

**White European Plug: ACM PLUG EU W**



**Black China Plug: ACM PLUG CN**

**White China Plug: ACM PLUG CN W**

