



## Main

|                                    |  |
|------------------------------------|--|
| Range of product                   | OsiSense XS  |
| Series name                        | General purpose                                    |
| Sensor type                        | Inductive proximity sensor                         |
| Device application                 | Mobile equipment                                   |
| Sensor name                        | XS6  |
| Sensor design                      | Cylindrical M12                                    |
| Size                               | 66 mm  |
| Body type                          | Fixed  |
| Detector flush mounting acceptance | Non flush mountable                                |
| Material                           | Metal  |
| Type of output signal              | Discrete   |
| Wiring technique                   | 3-wire   |
| [Sn] nominal sensing distance      | 0.28 in (7 mm)                                     |
| Discrete output function           | 1 NO   |
| Output circuit type                | DC   |
| Discrete output type               | PNP  |
| Electrical connection              | Male connector M12, 4 pins                         |
| [Us] rated supply voltage          | 12...48 V DC reverse polarity protection           |
| Switching capacity in mA           | <= 200 mA DC overload and short-circuit protection |
| IP degree of protection            | IP67 IEC 60529<br>IP69K DIN 40050                  |

## Complementary

|                        |                               |
|------------------------|-------------------------------|
| Thread type            | M12 x 1                       |
| Detection face         | Frontal                       |
| Front material         | PPS                           |
| Enclosure material     | Nickel Plated Brass           |
| Sensing range          | > 0.16...0.31 in (> 4...8 mm) |
| Operating zone         | 0.00...0.22 in (0...5.6 mm)   |
| Differential travel    | 1...15% of Sr                 |
| Status LED             | Output state 1 LED yellow)    |
| Supply voltage limits  | 10...58 V DC                  |
| Switching frequency    | <= 2500 Hz DC                 |
| Maximum voltage drop   | <2 V closed)                  |
| Current consumption    | <= 10 mA no-load              |
| Maximum delay first up | 10 ms                         |
| Maximum delay response | 0.2 ms                        |
| Maximum delay recovery | 0.2 ms                        |
| Marking                | CE                            |
| Threaded length        | 1.65 in (42 mm)               |
| Length                 | 2.60 in (66 mm)               |
| Net weight             | 0.04 lb(US) (0.02 kg)         |

## Environment

|                                       |   |
|---------------------------------------|---|
| Product certifications                | CSA<br>E2<br>UL                         |
| Ambient air temperature for operation | -13...158 °F (-25...70 °C)              |
| Ambient air temperature for storage   | -40...185 °F (-40...85 °C)              |
| Vibration resistance                  | 25 gn +/- 2 mm 10...55 Hz)IEC 60068-2-6 |
| Shock resistance                      | 50 gn 11 ms IEC 60068-2-27              |

## Ordering and shipping details

|                       |                            |
|-----------------------|----------------------------|
| Category              | 22486 - SENSORS, PROXIMITY |
| Discount Schedule     | DS2                        |
| GTIN                  | 00785901624813             |
| Nbr. of units in pkg. | 1                          |
| Package weight(Lbs)   | 0.09 lb(US) (0.04 kg)      |
| Returnability         | Yes                        |
| Country of origin     | FR                         |

## Packing Units

|                        |                  |
|------------------------|------------------|
| Unit Type of Package 1 | PCE              |
| Package 1 Height       | 1.65 in (4.2 cm) |
| Package 1 width        | 2.44 in (6.2 cm) |
| Package 1 Length       | 3.70 in (9.4 cm) |

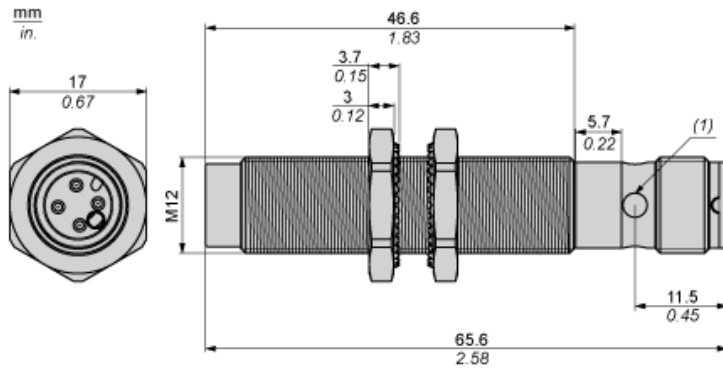
## Offer Sustainability

|                            |   |
|----------------------------|---|
| Sustainable offer status   | Green Premium product   |
| California proposition 65  | WARNING: This product can expose you to chemicals including: Diisononyl phthalate (DINP), which is known to the State of California to cause cancer, and Di-isodecyl phthalate (DIDP), which is known to the State of California to cause birth defects or other reproductive harm. For more information go to <a href="http://www.P65Warnings.ca.gov">www.P65Warnings.ca.gov</a> |
| REACH Regulation           | <a href="#">REACH Declaration</a>   |
| EU RoHS Directive          | Pro-active compliance (Product out of EU RoHS legal scope) <a href="#">EU RoHS Declaration</a>  |
| Mercury free               | Yes   |
| RoHS exemption information | <a href="#">Yes</a>   |
| Environmental Disclosure   | <a href="#">Product Environmental Profile</a>   |
| Circularity Profile        | <a href="#">End Of Life Information</a>   |

## Contractual warranty

|          |           |
|----------|-----------|
| Warranty | 18 months |
|----------|-----------|

Dimensions



(1) LED

Minimum Mounting Distances in mm

Side by side



e (1) 48 mm/1.89 in.

≥

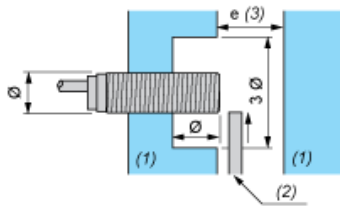
Face to face



e (2) 84 mm/3.31 in

≥

Facing a metal object



e (3) 21 mm/0.83 in.

≥

(1) Metal

(2) Object to be detected

## Wiring Schemes

M12 connector



PNP



- 1 : (+)
- 2 : Not connected
- 3 : (-)
- 4 : NO Output