

Reset buttons

Smile

Smile reset buttons have compact housings with M12 connectors for easy connection.

The reset button contains an integrated white LED, and all buttons are delivered with a kit of colored filters to snap on the top of the button. In this way the color of the button can be chosen after delivery and is also possible to be changed later.

Several models are available to suit different needs of connection and communication (e.g. OSSD or dynamic signals). The different models also allow a choice of:

- local reset connected directly to the sensor, or
- global reset connected to the safety control module.



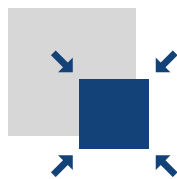
Easy to install

Easy to attach to profiles

The centered mounting holes makes Smile easy to attach to e.g. aluminum extrusions profiles.

Speed up installation

The housing requires no assembly and the M12 connectors speed up installation and reduce the risk of connection error.



Space saving

Compact housing

A compact and appealing housing saves space and makes it easy to place.

Smile, Reset buttons



Smile 11 RO1

2TLC172018W0201

Ordering details

Type of contact	Connectors	Intended use	Type	Order code
1 NO	1 male M12-5	Most reset applications	Smile 11 RA	2TLA030053R0000
1 NO	1 male M12-5	Pluto Safety PLC light button function*	Smile 11 RB	2TLA030053R0100
1 NO	1 male M12-5	Orion1 Base	Smile 11RO1	2TLA022316R3000
1 NC	1 male M12-5	Orion2 Base and Extended, and Orion3 Extended	Smile 11RO2	2TLA022316R3100
1 NC	1 male M12-5	Orion3 Base	Smile 11RO3	2TLA022316R3200
1 NO	2 male M12-5	Eden DYN-Reset M12-5 and Eden OSSD-Reset M12-5	Smile 12 RF	2TLA030053R2600
1 NO	2 male M12-8	Eden OSSD-Reset M12-8	Smile 12 RG	2TLA030053R2700

* See Pluto hardware manual for more information about the light button function

Accessories



M12-3x

2TLC172623FR0201



Tina 10B

2TLC172475FR0201

Description	Type	Order code
Y-connector for serial connection of Adam DYN-Reset (with Smile 12 RF between Adam and Y-connector) and/or Adam DYN-Info (loss of info signal). The two models can be mixed.	M12-3A	2TLA020055R0000
Y-connector for serial connection of Adam OSSD-Reset M12-8 (with Smile 12 RG between Adam and Y-connector) and/or Adam OSSD-Info M12-8 (loss of info signal) with 8 lead cables. The two models can be mixed.	M12-3H	2TLA020055R0800
Y-connector for serial connection of Adam OSSD-Reset M12-8 (with Smile 12 RG between Adam and Y-connector) and/or Adam OSSD-Info M12-8 (loss of info signal) with 5 lead cables. The two models can be mixed.	M12-3G	2TLA020055R0700
Y-connector for connection of Smile reset button to Orion.	M12-3R	2TLA022316R0000
Adaptation unit of OSSD outputs to ABB Jokab Safety dynamic signal for use with Vital control module or Pluto Safety PLC. Tina 10B has an extra M12 connector for connection of a reset button.	Tina 10B	2TLA020054R1300

Ordering information

Cables for Smile 12 RF and RG

Cables for Smile 12 RF (with Eden DYN/OSSD Reset M12-5)

Description	Type	Order code	Eden Reset M12-5 to Smile 12 RF	Smile 12 RF to M12-3A	M12-3A to M12-3A	EI-cabinet to M12-3A	M12-3A to EI-cabinet
Straight M12-5 female connector with 6 m shielded cable	M12-C61	2TLA020056R0000				X	
Straight M12-5 female connector with 10 m shielded cable	M12-C101	2TLA020056R1000				X	
Straight M12-5 female connector with 20 m shielded cable	M12-C201	2TLA020056R1400				X	
M12-5 male + female connectors with 1 m shielded cable	M12-C112	2TLA020056R2000	X	X	X		
M12-5 male + female connectors with 3 m shielded cable	M12-C312	2TLA020056R2100	X	X	X		
M12-5 male + female connectors with 6 m shielded cable	M12-C612	2TLA020056R2200	X	X	X		
M12-5 male + female connectors with 10 m shielded cable	M12-C1012	2TLA020056R2300	X	X	X		
M12-5 male + female connectors with 20 m shielded cable	M12-C2012	2TLA020056R2400	X	X	X		
Straight M12-5 male connector with 6 m shielded cable	M12-C62	2TLA020056R0200					X
Straight M12-5 male connector with 10 m shielded cable	M12-C102	2TLA020056R1200					X

Cables for Smile 12 RG (with Eden DYN/OSSD Reset M12-8)

Description	Type	Order code	Eden Reset M12-8 to Smile 12 RG	Smile 12 RG to M12-3G or M12-3H	M12-3G to M12-3G	EI-cabinet to M12-3G	M12-3G to EI-cabinet	M12-3H to M12-3H	EI-cabinet to M12-3H	M12-3H to EI-cabinet
Straight M12-5 female connector with 6 m shielded cable	M12-C61	2TLA020056R0000							X	
Straight M12-5 female connector with 10 m shielded cable	M12-C101	2TLA020056R1000							X	
Straight M12-5 female connector with 20 m shielded cable	M12-C201	2TLA020056R1400							X	
M12-5 male + female connectors with 1 m shielded cable	M12-C112	2TLA020056R2000						X		
M12-5 male + female connectors with 3 m shielded cable	M12-C312	2TLA020056R2100						X		
M12-5 male + female connectors with 6 m shielded cable	M12-C612	2TLA020056R2200						X		
M12-5 male + female connectors with 10 m shielded cable	M12-C1012	2TLA020056R2300						X		
M12-5 male + female connectors with 20 m shielded cable	M12-C2012	2TLA020056R2400						X		
Straight M12-8 female connector with 6 m shielded cable	M12-C63	2TLA020056R3000				X				
Straight M12-8 female connector with 10 m shielded cable	M12-C103	2TLA020056R4000				X				
Straight M12-8 female connector with 20 m shielded cable	M12-C203	2TLA020056R4100				X				
M12-8 male + female connectors with 1 m shielded cable	M12-C134	2TLA020056R5000	X	X	X					
M12-8 male + female connectors with 3 m shielded cable	M12-C334	2TLA020056R5100	X	X	X					
Straight M12-5 male connector with 6 m shielded cable	M12-C62	2TLA020056R0200								X
Straight M12-5 male connector with 10 m shielded cable	M12-C102	2TLA020056R1200								X
Straight M12-8 male connector. Cable 8 leads + shield, by meter	M12-C04	2TLA020055R1700					X			

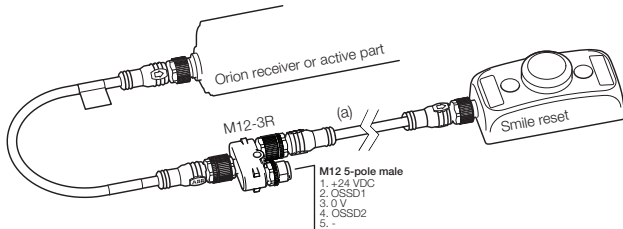
Ordering information

Cables for Smile 11 Rx and ROx

Description	Type	Order code	Smile11 Rx to another M12	Smile 11 Rx to el-cabinet	Smile 11 ROx to Tina 10B	Tina 10B to el-cabinet	Smile 11 ROx to M12-3R	M12-3R to el-cabinet	Tina 10B to M12-3A	M12-3A to M12-3A	El-cabinet to M12-3A	M12-3A to el-cabinet
Straight M12-5 female connector with 6 m shielded cable	M12-C61	2TLA020056R0000		X		X		X			X	
Straight M12-5 female connector with 10 m shielded cable	M12-C101	2TLA020056R1000		X		X		X			X	
Straight M12-5 female connector with 20 m shielded cable	M12-C201	2TLA020056R1400		X		X		X			X	
M12-5 male + female connectors with 1 m shielded cable	M12-C112	2TLA020056R2000	X		X		X		X	X		
M12-5 male + female connectors with 3 m shielded cable	M12-C312	2TLA020056R2100	X		X		X		X	X		
M12-5 male + female connectors with 6 m shielded cable	M12-C612	2TLA020056R2200	X		X		X		X	X		
M12-5 male + female connectors with 10 m shielded cable	M12-C1012	2TLA020056R2300	X		X		X		X	X		
M12-5 male + female connectors with 20 m shielded cable	M12-C2012	2TLA020056R2400	X		X		X		X	X		
Straight M12-5 male connector with 6 m shielded cable	M12-C62	2TLA020056R0200										X
Straight M12-5 male connector with 10 m shielded cable	M12-C102	2TLA020056R1200										X

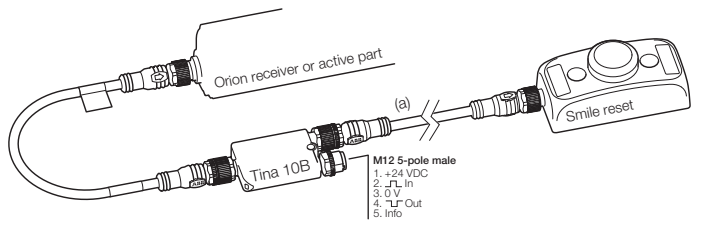
Connection examples

Reset to Orion with Tina 10A/C



Connection of Smile 11 ROx to Orion through M12-3R.
For connection to any control module compatible with OSSD outputs.

Reset to Orion with Tina 10B




Connection of Smile 11 ROx to Orion through Tina 10B
For connection to Vital control module or Pluto Safety PLC.

Reset to Eden



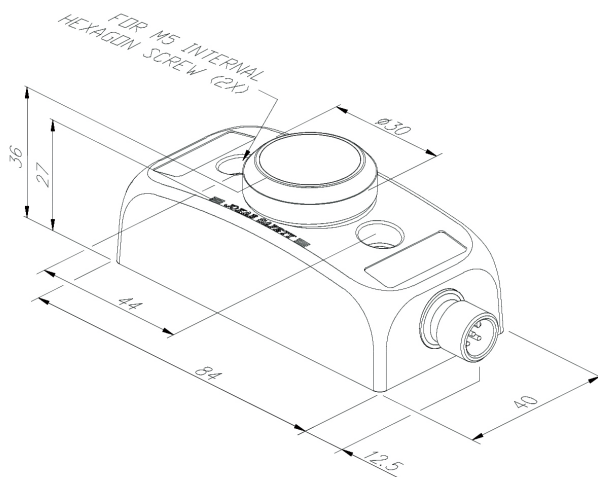
Serial connection of Eden with individual Smile reset buttons:
- Adam OSSD-Reset M12-8 with Smile 12 RG and M12-3G or M12-3H
- Adam DYN-Reset with Smile 12 RF and M12-3A

Technical data

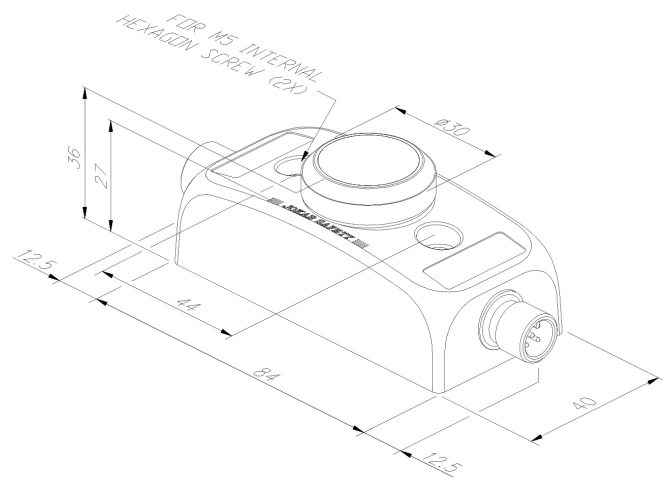
Approvals	
Power supply	
LED operating voltage	+24 VDC (maximum +33 VDC)
LED current consumption	20 mA at +24 VDC, 30 mA at +33 VDC
Push button operating voltage	Min: +5 V, max: +35 V
Push button current	Min: 1 mA, max 100 mA
Push button rated power	Max: 250 mW
Mechanical data	
Color - Enclosure	Yellow
Color - Push button	White
Material - Housing	Polypropylene PP
Material - Contact	Au
Size	84 x 40 x 36 (L x W x H) + 12 mm for M12 connector (L)
Weight	Approx. 60 g
Protection class	IP65
Connectors Smile 11 RA/B/O	M12-5 pole male connector
Connectors Smile 12 RF	M12-5 pole male and female connectors
Connectors Smile 12 RG	M12-8 pole male and female connectors
Mechanical life	1.000.000 operations at 10 mA/+24 VDC
Switching reliability	10 x 10 ⁶ at 5 mA/+24 VDC Environmental data
Environmental data	
Ambient temperature	-25...+55°C
Humidity range	35 to 85% (with no icing or condensation)

Dimension drawings

Smile 11 R



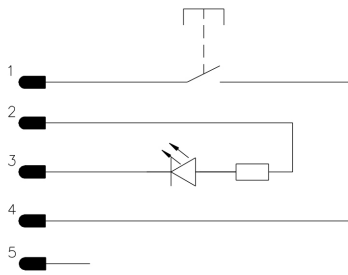
Smile 12 R



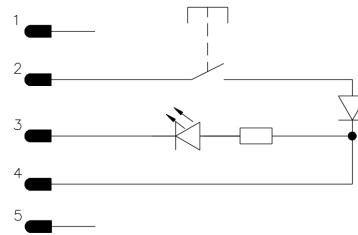
All dimensions in mm

Electrical connections

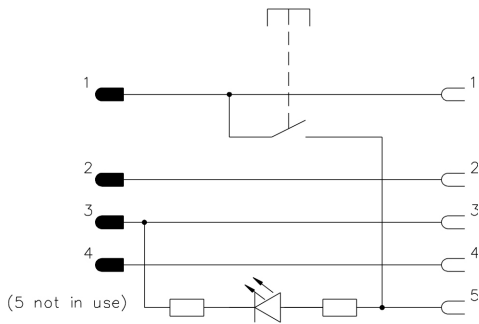
Smile 11 RA



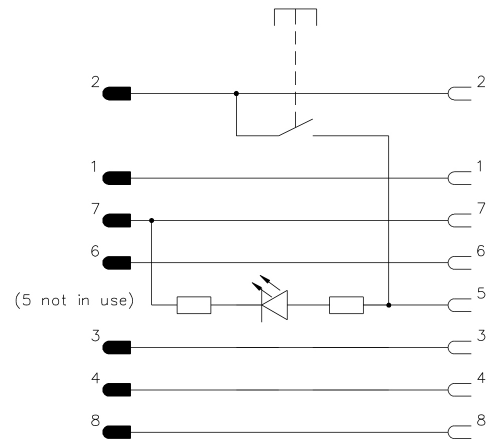
Smile 11 RB



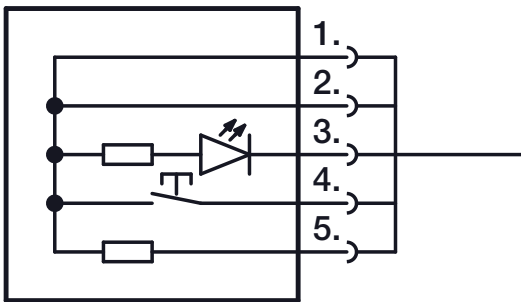
Smile 12 RF



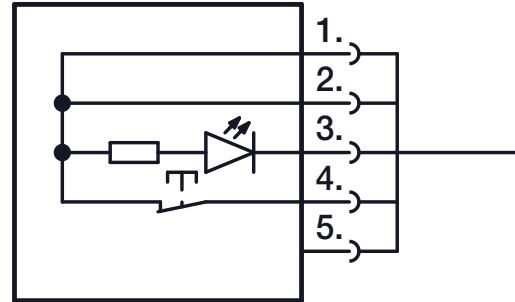
Smile 12 RG



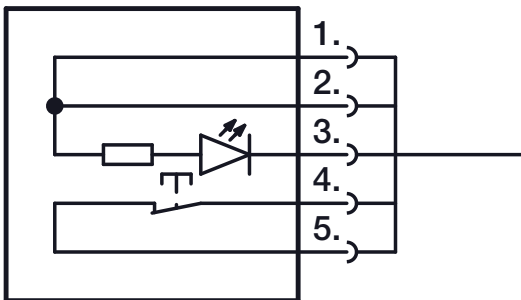
Smile 11 RO1



Smile 11 RO2



Smile 11 RO3



Contact us

ABB AB

Jokab Safety

Varlabergsvägen 11

SE-434 39 Kungsbacka

Tel. +46 (0) 21-32 50 00

www.abb.com/jokabsafety

Note

We reserve the right to make technical changes or modify the contents of this document without prior notice. With regard to purchase orders, the agreed particulars shall prevail. ABB does not accept any responsibility whatsoever for potential errors or possible lack of information in this document.

We reserve all rights in this document and in the subject matter and illustrations contained therein. Any reproduction, disclosure to third parties or utilization of its contents - in whole or in parts - is forbidden without prior written consent of ABB.

Copyright© 2016 ABB

All rights reserved



2TLC172106L0201