



Industrial



Comm



Renewable



Automation

300 and 600W Constant Current Power Supplies

| Features | Benefits |
|---|---|
| • 300W Convection cooled and 600W fan model | • Silent fanless chargers |
| • CC (constant current) mode | • Quick recharge, avoid battery overcharging |
| • CV (constant voltage) mode | • Supports charging of 12, 24 and 48V batteries |
| • 5 Year warranty | • Provides high reliability for battery charger and electrical storage system |

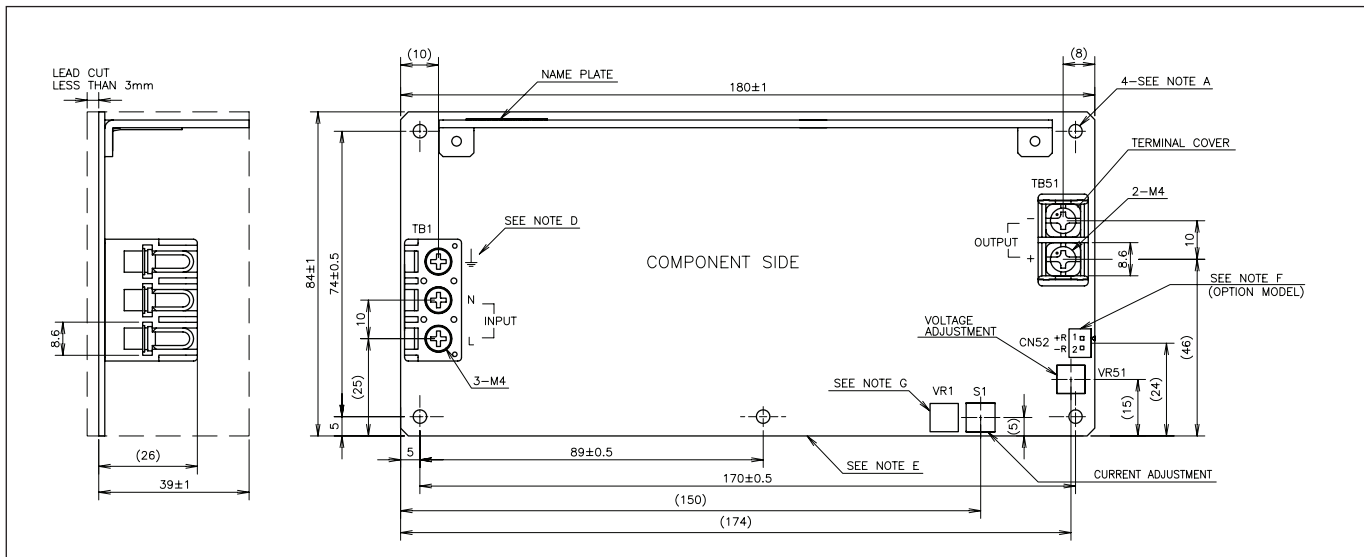


| Specification | | | |
|---|------|--|---|
| Model | | EVS300 | EVS600 |
| Input Voltage | V | 85-265VAC (47-63Hz) | 85-265VAC (47-63Hz) |
| Input Current | A | 3.6 / 1.8 | 7.2 / 4.0 |
| Inrush Current (100/200VAC) | A | 15 / 30 | 20 / 40 |
| Power Factor (100/200VAC) | - | 0.97/0.93 | 0.95/0.9 |
| PFHC | - | Meets EN61000-3-2 | |
| Leakage Current | mA | < 0.5mA | < 0.75mA |
| Temperature Coefficient | %/°C | <0.02%/°C | |
| Constant Current Setting Accuracy | A | ±10% | |
| Overvoltage Protection | V | 18V*: 19.8-23.4V, 36V: 39.6-46.8V, 57V: 62.7-74.1V (* EVS300 only) | |
| Hold Up Time (Typ) | ms | 10ms at 100/110VAC input | |
| Efficiency (100/200VAC) | % | 18V: 86/89%, 36V: 88/91%, 57V: 87/90% | 36V: 85/88%, 57V: 84/87% |
| Remote On/Off | - | Optional | |
| Series & Parallel Operation | - | Yes, see instruction manual | |
| Operating Temperature (No external airflow) | °C | -20°C to +70°C Derate linearly to 40% load from 45°C to 70°C | -20°C to +70°C Derate linearly to 20% load from 50°C to 70°C |
| Operating Temperature External airflow (1.4m/s) | °C | -20°C to +70°C Derate linearly to 70% load from 60°C to 70°C | -20°C to +70°C Not applicable (EVS600 has internal fan) |
| Storage Temperature | °C | -30°C to +75°C | |
| Humidity (non condensing) | %RH | Operating: 30 - 90%RH, Storage: 10 - 90%RH | |
| Cooling | - | Convection or forced air | Internal fan |
| Withstand Voltage | VAC | Input to Ground 2kVAC, Input to Output 3kVAC, Output to Ground 500VAC for 1 min. | |
| Isolation Resistance | MΩ | >100MΩ at 25°C & 70%RH, Output to Ground 500VDC | |
| Vibration (non operating) | - | 10 - 55Hz (1 minute sweep), 19.6m/s ² constant, X, Y, Z 1 hour each | |
| Shock | - | < 196.1 m/s ² | |
| Safety Agency Certifications | - | UL60950-1, CSA60950-1, EN60950-1, CE Mark | |
| Conducted & Radiated EMI | - | EN55011/EN55022-B, FCC Class B, VCCI-B | |
| Immunity | - | EN61000-4-2, -3, -4, -5, -6, -8, -11; EN61000-6-2 | |
| Weight (Typ) | g | 540g (open frame) | 1600g |
| Size (WxHxD) | mm | 84 x 42 x 180mm | 120 x 61 x 190mm |
| Warranty | yrs | 5 | |

Model Selector

| Model | Nominal Voltage Output | Adjust Range (V) | Max Current (100VAC) | Max Current (200VAC) | Current Adjust Range (100VAC) | Current Adjust Range (200VAC) | CV Line Reg (mV) | CV Load Reg (mV) | Ripple & Noise (mV) |
|------------|------------------------|------------------|----------------------|----------------------|-------------------------------|-------------------------------|------------------|------------------|---------------------|
| EVS18-16R7 | 18V | 12 - 18V | 16.7A | | 8.35 - 16.70A | | 72 | 144 | 200 |
| EVS36-8R4 | 36V | 24 - 36V | 8.4A | | 4.20 - 8.40A | | 144 | 252 | 250 |
| EVS36-16R7 | 36V | 24 - 36V | 15.3A | 16.7A | 8.35 - 15.30A | 8.35 - 16.70A | 144 | 288 | 200 |
| EVS57-5R3 | 57V | 48 - 57V | 5.3A | | 2.65 - 5.30A | | 228 | 285 | 250 |
| EVS57-10R6 | 57V | 48 - 57V | 9.7A | 10.6A | 5.30 - 9.70A | 5.30 - 10.60A | 228 | 456 | 200 |

Outline Drawing EVS300W Series

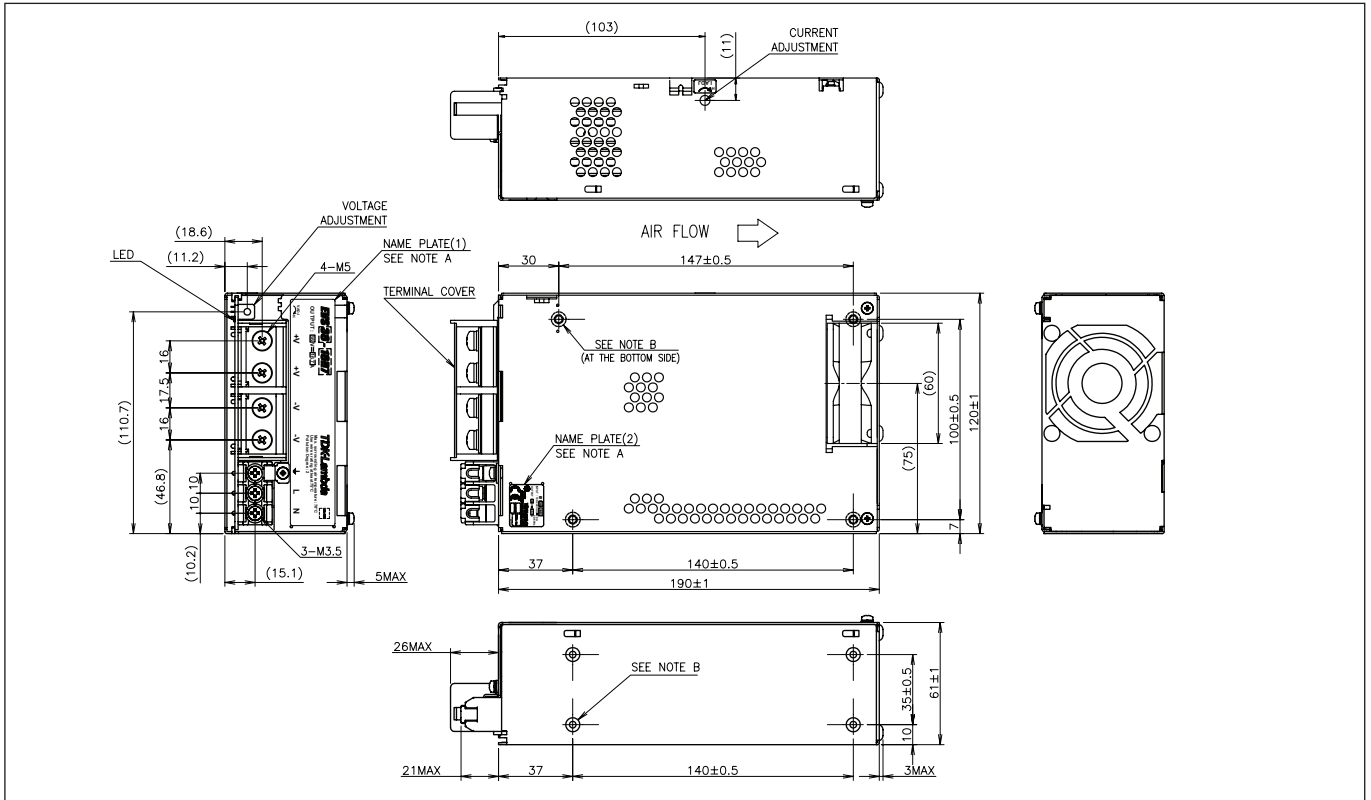


Options

| Suffix | Description |
|---------|--|
| - | None |
| /A | Cover & L Bracket (Standard on EVS600) * |
| /R | Remote On/Off |
| Example | EVS57-5R3/RA |

Note: * without suffix

Outline Drawing EVS600W Series

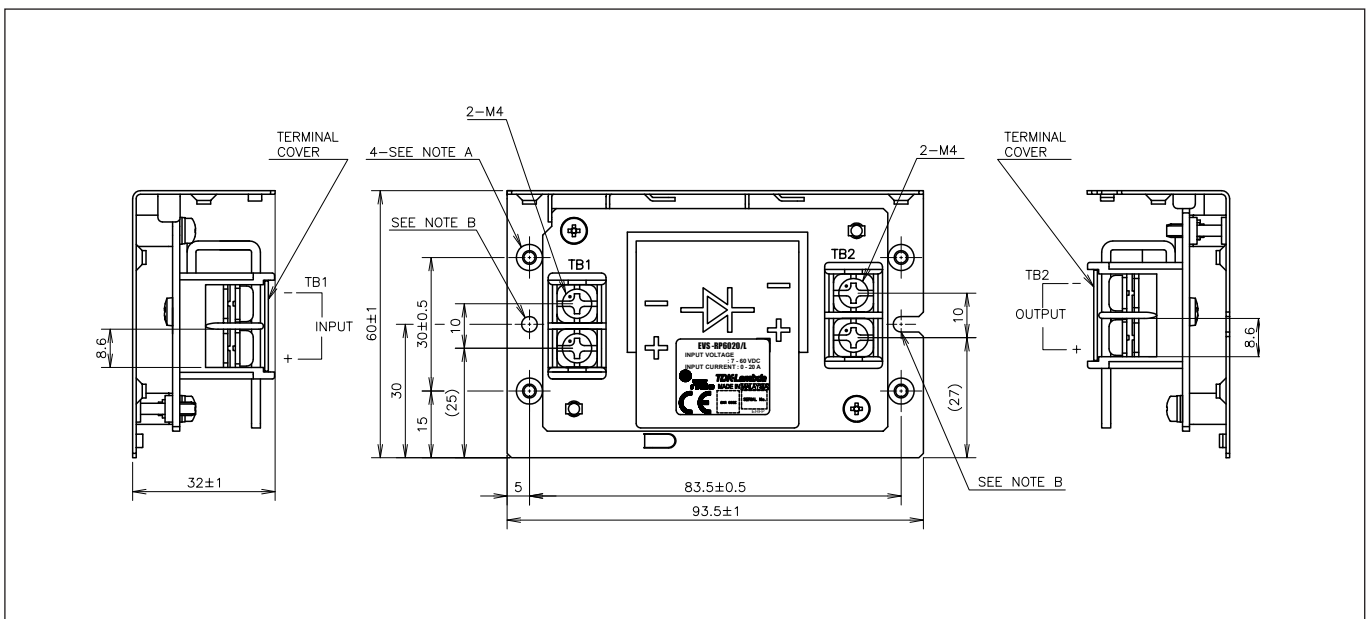


Accessory

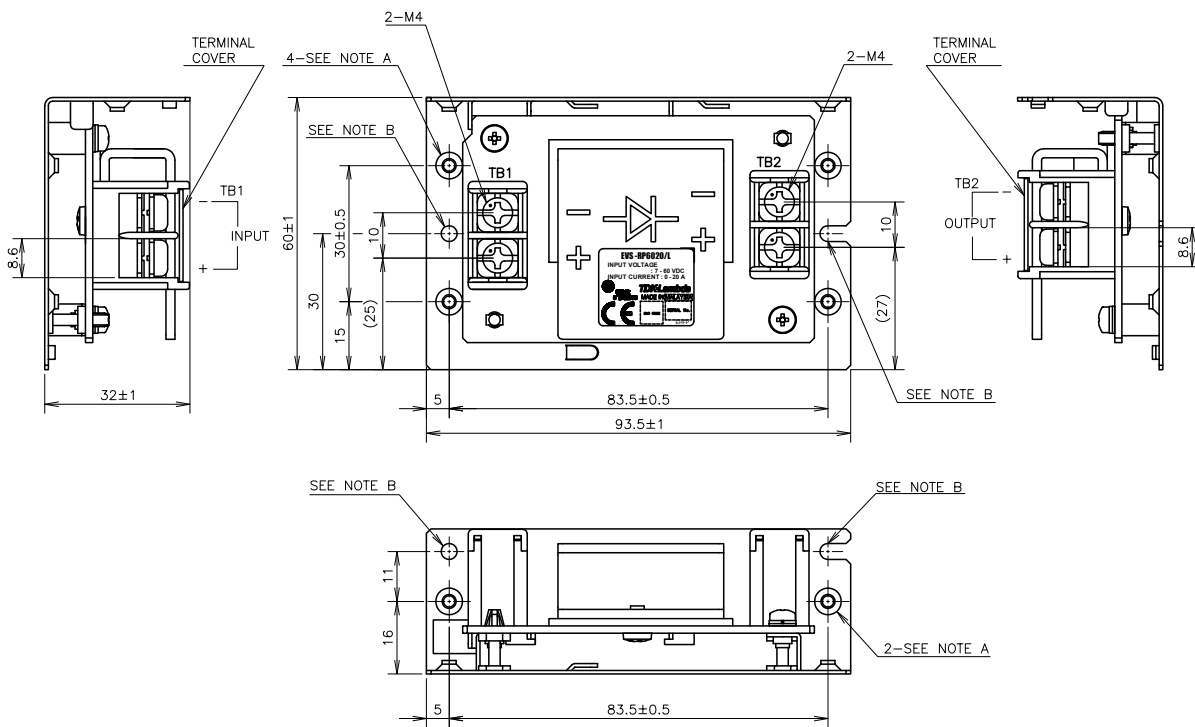
| Model | Description |
|--------------|---|
| EVS-RP6020 | 20A Reverse current Prevention module for battery charging use (PCB type) * |
| EVS-RP6020/L | 20A Reverse current Prevention module for battery charging use (on L bracket) * |

* The Reverse current Protection modules EVS-RP can also be used as replacement for Diode-modules (as e.g. DLP-PU)
 - For power up in parallel operation
 - For Back-up diode (N + I redundant operation)

Outline Drawing EVS-RP6020 (Open frame)



Outline Drawing EVS-RP6020/L Series



Notes:

- A: M3 embossed tapped and countersink holes (6) are for customer's chassis mounting
- B: Dia 3.5mm holes (2) and R1.75 slot holes (2) are for customer's chassis mounting holes
- C: Model name, input range and input current are shown here in accordance with the specifications
- D: Country of manufacture will be shown here

Accessories:

- * Terminal cover for barrier terminal strip —2 (attached on terminal TB1 and TB2 at shipment)



TDK-Lambda France SAS

3 Avenue du Canada
Parc Technopolis
Bâtiment Sigma
91940 les Ulis
France
Tel: +33 1 60 12 71 65
Fax: +33 1 60 12 71 66
france@fr.tdk-lambda.com
www.fr.tdk-lambda.com



Italy Sales Office

Via dei Lavoratori 128/130
20092 Cinisello Balsamo (MI)
Italy
Tel: +39 02 61 29 38 63
Fax: +39 02 61 29 09 00
info.italia@it.tdk-lambda.com
www.it.tdk-lambda.com



Netherlands

info@nl.tdk-lambda.com
www.nl.tdk-lambda.com



TDK-Lambda Germany GmbH

Karl-Bold-Strasse 40
77855 Achern
Germany
Tel: +49 7841 666 0
Fax: +49 7841 5000
info.germany@de.tdk-lambda.com
www.de.tdk-lambda.com



Austria Sales Office

Aredstrasse 22
2544 Leobersdorf
Austria
Tel: +43 2256 655 84
Fax: +43 2256 645 12
info@at.tdk-lambda.com
www.de.tdk-lambda.com



Switzerland Sales Office

Bahnhofstrasse 50
8305 Dietlikon
Switzerland
Tel: +41 44 850 53 53
Fax: +41 44 850 53 50
info@ch.tdk-lambda.com
www.de.tdk-lambda.com



Nordic Sales Office

Haderslevvej 36B
DK-6000 Kolding
Denmark
Tel: +45 2911 9556
info@dk.tdk-lambda.com



TDK-Lambda UK Ltd.

Kingsley Avenue
Ilfracombe
Devon EX34 8ES
United Kingdom
Tel: +44 (0) 12 71 85 66 66
Fax: +44 (0) 12 71 86 48 94
powersolutions@uk.tdk-lambda.com
www.uk.tdk-lambda.com



TDK-Lambda Ltd.

Kibbutz
Givat Hashlosha 48800
Israel
Tel: +9 723 902 4333
Fax: +9 723 902 4777
info@tdk-lambda.co.il
www.tdk-lambda.co.il



C.I.S.

Commercial Support:
Tel: +7 (495) 665 2627
Technical Support:
Tel: +7 (812) 658 0463
info@tdk-lambda.ru
www.tdk-lambda.ru

Local Distribution

