

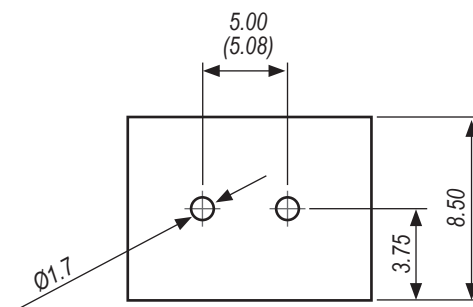
Vertical Terminal Block Header 20.95MV/xx-E (21.95MV/xx-E)

- 300V 15A UL
- UL94-V0
- PA66
- 5.00mm (5.80mm) Pin Pitch
- RoHS Compliant
- xx = Number of Poles (available from 2~24 poles)

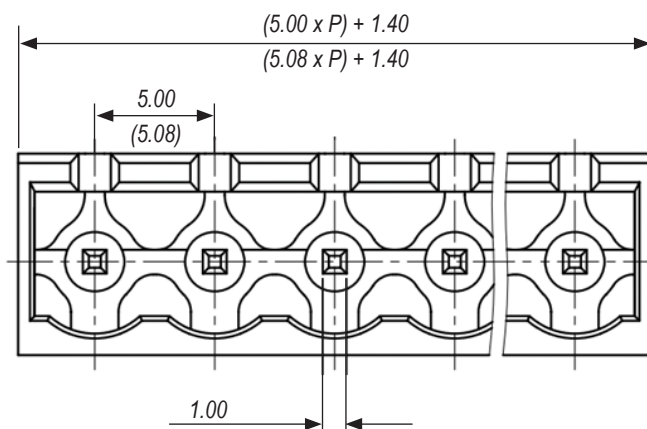
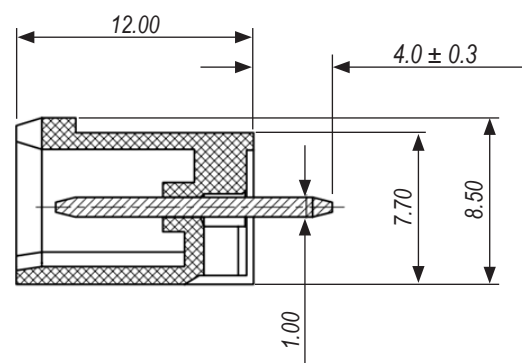


Technical Data

Pitch	5.00mm (5.08mm)
UL Rating	300V 15Amps
IEC Rating	320V 20Amps
Solder Pin	Brass, Tin Plated
Wire Range	n/a
PCB Hole Diameter	1.7mm
Screw	n/a
Screw Torque	n/a
Insulation Voltage	AC2000V / 1 Min
Initial Contact Resistance	20MΩ
Insulation Resistance	500MΩ / DC500V
Temperature Range	-40 to +105°C
Max Soldering	+250°C for 5 sec



PCB Layout



Dimensions shown in mm P = No of Poles

Supplied in green as standard
Other colour options and printing may be available depending upon quantity
Please contact IMO for further information