

Terminal Block Plug 20.950M/xx-E (21.950M/xx-E)

5.00mm (5.08mm) Pitch, 300V 15A, Terminal Block Plug, Green, Combi Head, Solid Block

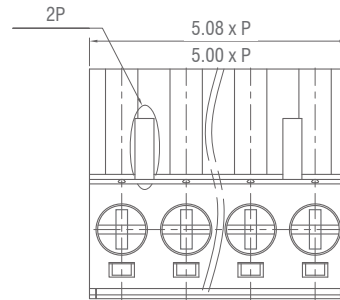
Key Features

- 300V 15A
- UL94-V0
- PA66
- 5.00mm (5.08mm) Pin Pitch
- RoHS Compliant
- xx = Number of Poles (available from 2~24 poles)
- Combi Head Screw

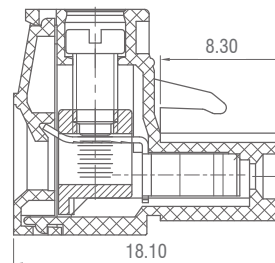
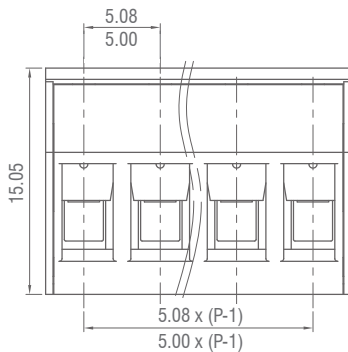


Technical Data

Pitch	5.00mm (5.08mm)
UL Rating	300V 15A
IEC Rating	450V 17.5A
Solder Pin	n/a
Wire Clamp	Copper Alloy, Nickel Plated
Wire Range	28~14AWG (1.5mm ²)
PCB Hole Diameter	n/a
Stripping Length	7~8mm
Screw	M3.0 Steel, Zinc Plated
Screw Type	Combi Head
Screw Torque	0.5Nm (4.5lb/in)
Insulation Voltage	AC 2000V / 1 Min
Initial Contact Resistance	20mΩ
Insulation Resistance	500MΩ / DC500V
Temperature Range	-40 to +105°C
Max Soldering	n/a



PCB Layout



Dimensions shown in mm P = No of Poles

Supplied in green as standard

Other colour options and printing may be available depending upon quantity

Please contact IMO for further information