

Terminal Block Plug

20.1550M/xx-E (21.1550M/xx-E)



3.5mm (3.81mm) Pitch, 300V 8A, Terminal Block Plug, Green, Phillips Head, Solid Block

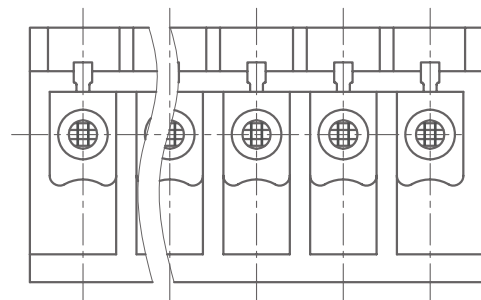
Key Features

- 300V 8A
- UL94-V0
- PA66
- 3.50mm (3.81mm) Pin Pitch
- RoHS Compliant
- xx = Number of Poles (available from 2~24 poles)
- Phillips Head Screw (Standard)

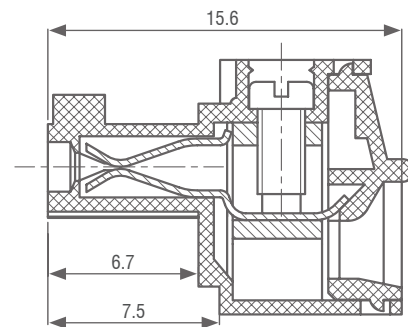
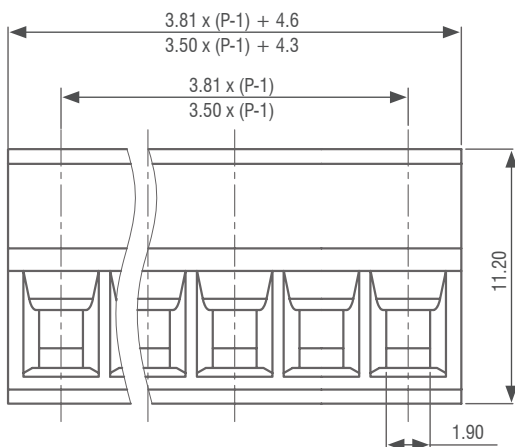


Technical Data

Pitch	3.50mm (3.81mm)
UL Rating	300V 8A
IEC Rating	250V 10A
Solder Pin	n/a
Wire Clamp	Copper Alloy, Nickel Plated
Wire Range	28~16AWG (1.5mm ²)
PCB Hole Diameter	n/a
Stripping Length	6~7mm
Screw	M2.0 Steel Zinc Plated
Screw Type	Phillips Head
Screw Torque	0.2Nm (1.7lb/in)
Insulation Voltage	AC2000V / 1 Min
Initial Contact Resistance	20mΩ
Insulation Resistance	500MΩ / DC500V
Temperature Range	-40 to +105°C
Max Soldering	n/a



PCB Layout



Dimensions shown in mm P = No of Poles

Supplied in green as standard

Other colour options and printing may be available depending upon quantity

Please contact IMO for further information